



REPLACEMENT PARTS CATALOG



Power 50 Vineyard Sprayer (with Centrifugal pump)



EQUIPMENT COMPANY
PO Box 655 - Vineburg, CA 95487

VMA Parts Catalog

Power 50-C Sprayer

(with Centrifugal pump)

MG Equipment Company specializes in unique tractor implements designed specifically for vineyards and orchards.

This catalog is designed to detail all the parts and components for VMA Vineyard Sprayers. It is divided into sections for each part of the implement and includes exploded diagrams and a detailed parts list. Please note that some parts may be fitted to more than one VMA sprayer.

To ensure a long life of reliable and trouble-free service for your implements, use only genuine VMA replacement parts.

It is our goal to meet or exceed the expectations of our customers and to offer unsurpassed service and parts support. We partner with each of our manufacturers to provide the best possible after-sales-support.

We thank you for your valued business. We remain at your complete disposal for any information you require regarding any of our products.

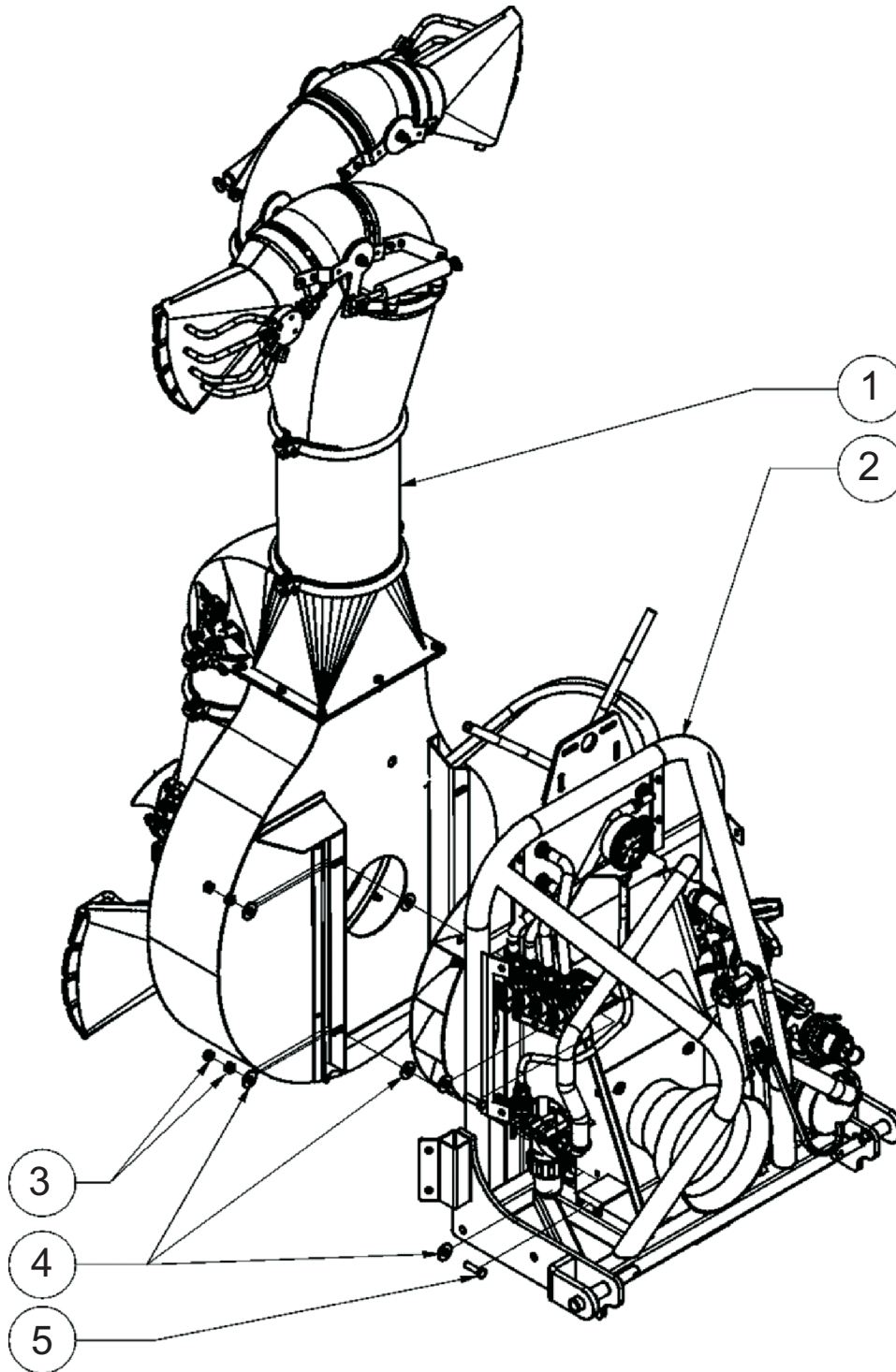
For Replacement Parts Sales and Information contact:

MG Equipment Co.

PO Box 655 Vineburg, CA 95487
mgequipment@gmail.com

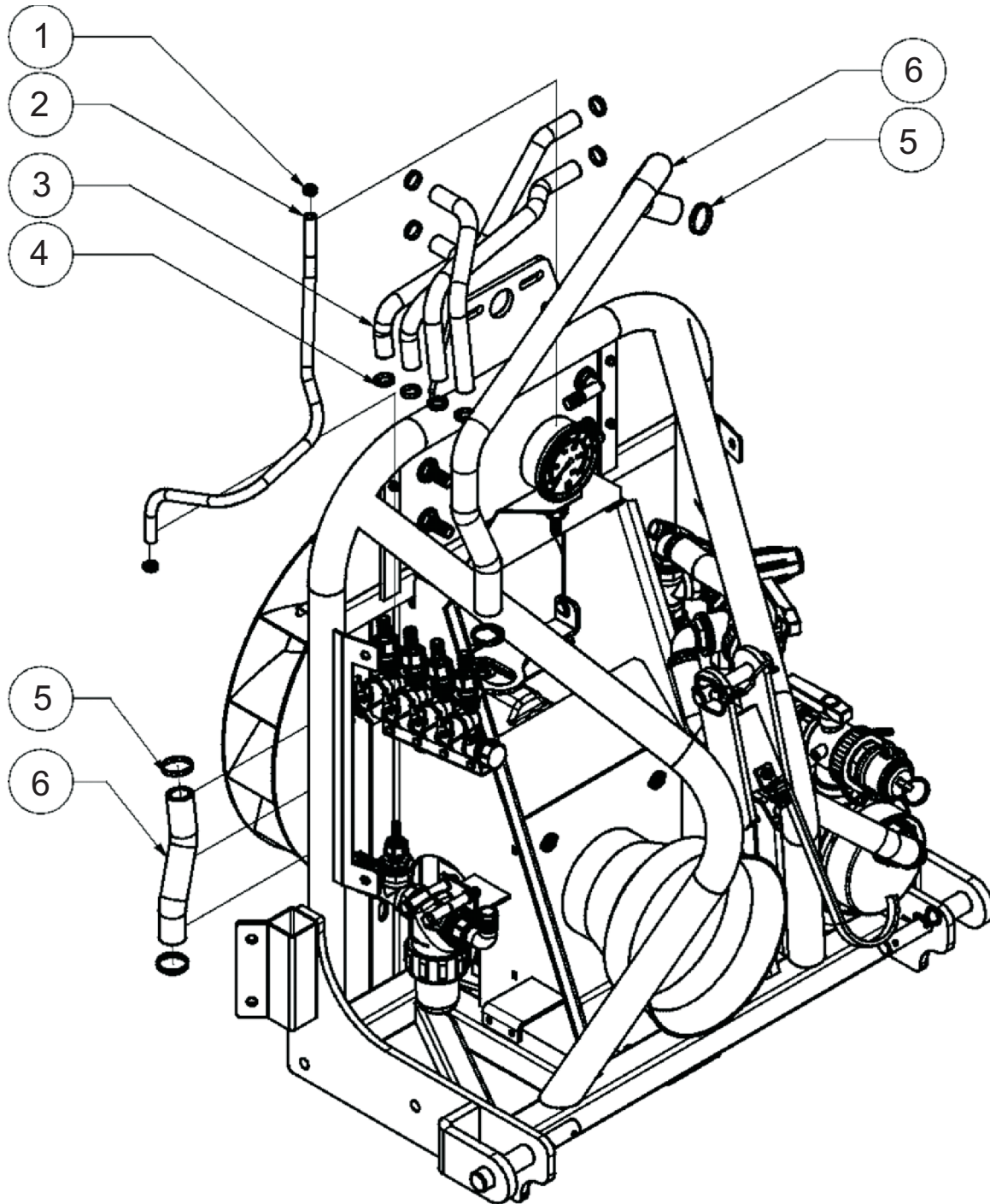
Tel: (707) 996-2605
Fax: (707) 996-3405
Mobile: (510) 813-2046

MAIN BODY / FRAME



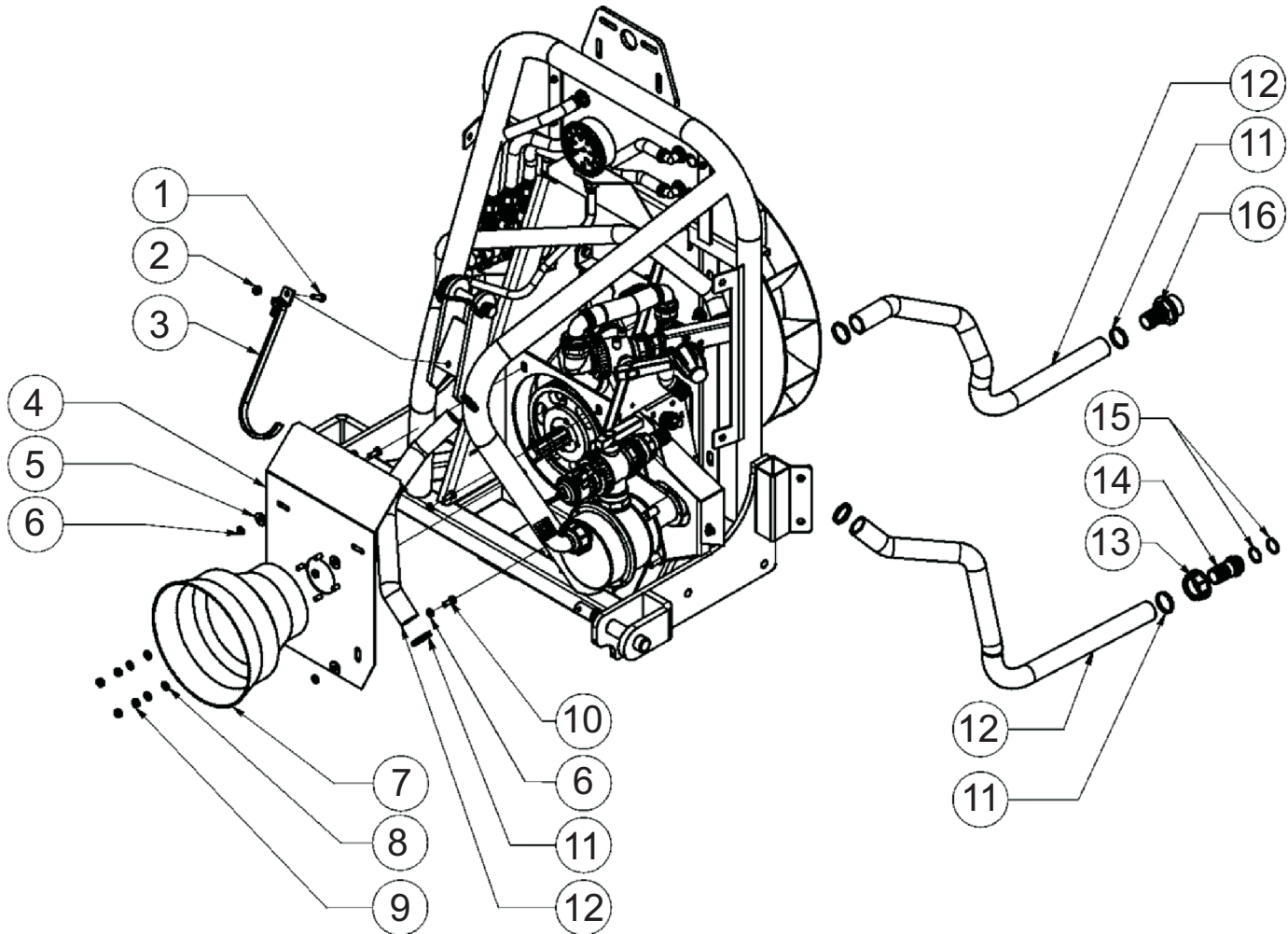
Item#	Part#	Description	Qty
1	Spray Tower ---->	see complete part list on Pages 2-6	1
2	Main Body Frame ---->	see complete part list on Page 15	1
3	VM-D00012.000.00	Nut - M12	8
4	VM-RP0012.036.00	Washer - 12 x 36 mm SP.2.5	12
5	VM-TE0012.040.TF	Bolt - TE M12 x 40	4

HOSES / FITTINGS



Item#	Part#	Description	Qty
1	VM-F0010.016.00	Hose clamp W2 - 9 x 10-16 mm	2
2	VM-100070.000.00	Black tubing - Nr. 20 - 10 x 15 mm	1
3	VM-100071.000.00	Black tubing - Nr. 20 - 16 x 23 mm	1
4	VM-F0016.025.00	Hose clamp W2 - 9 x 16-25 mm	8
5	VM-F0025.040.00	Hose clamp W2 - 12 x 25-40 mm	10
6	VM-100072.000.00	Black tubing - Nr. 20 - 25 x 34 mm	2

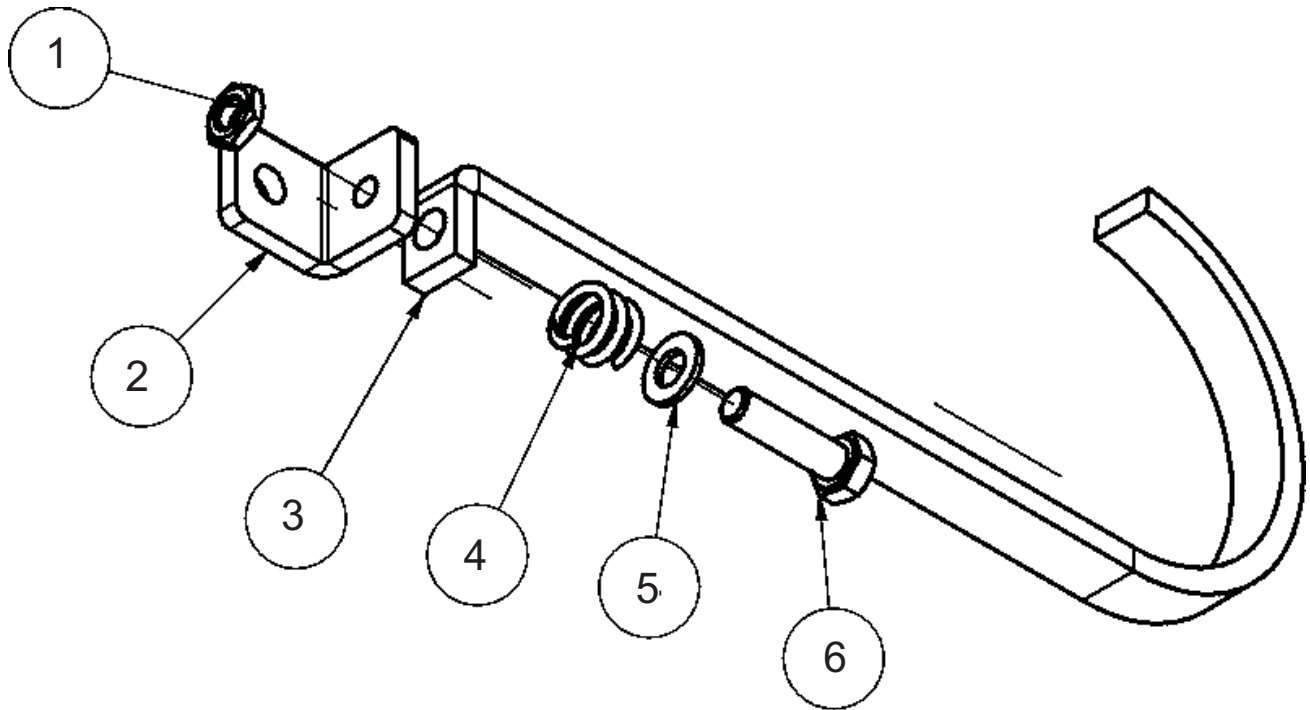
PTO SHIELD / HOSES / FITTINGS



Item#	Part#	Description	Qty
1	VM-TE0008.025.TF	Bolt - TE M8x25 ZB	1
2	VM-DA0008.000.00	Nut (self-locking) - M8	4
3	VM-000919.000.00	PTO support hook (complete assembly)	1
4	VM-SL3015-1	Gearbox shield/cover	1
5	VM-RP0008.024.00	Washer - 8 x 24 (stainless)	5
6	VM-D00008.000.0B	Nut - M8 (basso)	8
7	VM-100079.000.00	PTO shield (Black plastic)	1
8	VM-RP0008.000.00	Washer - 8 ZB	14

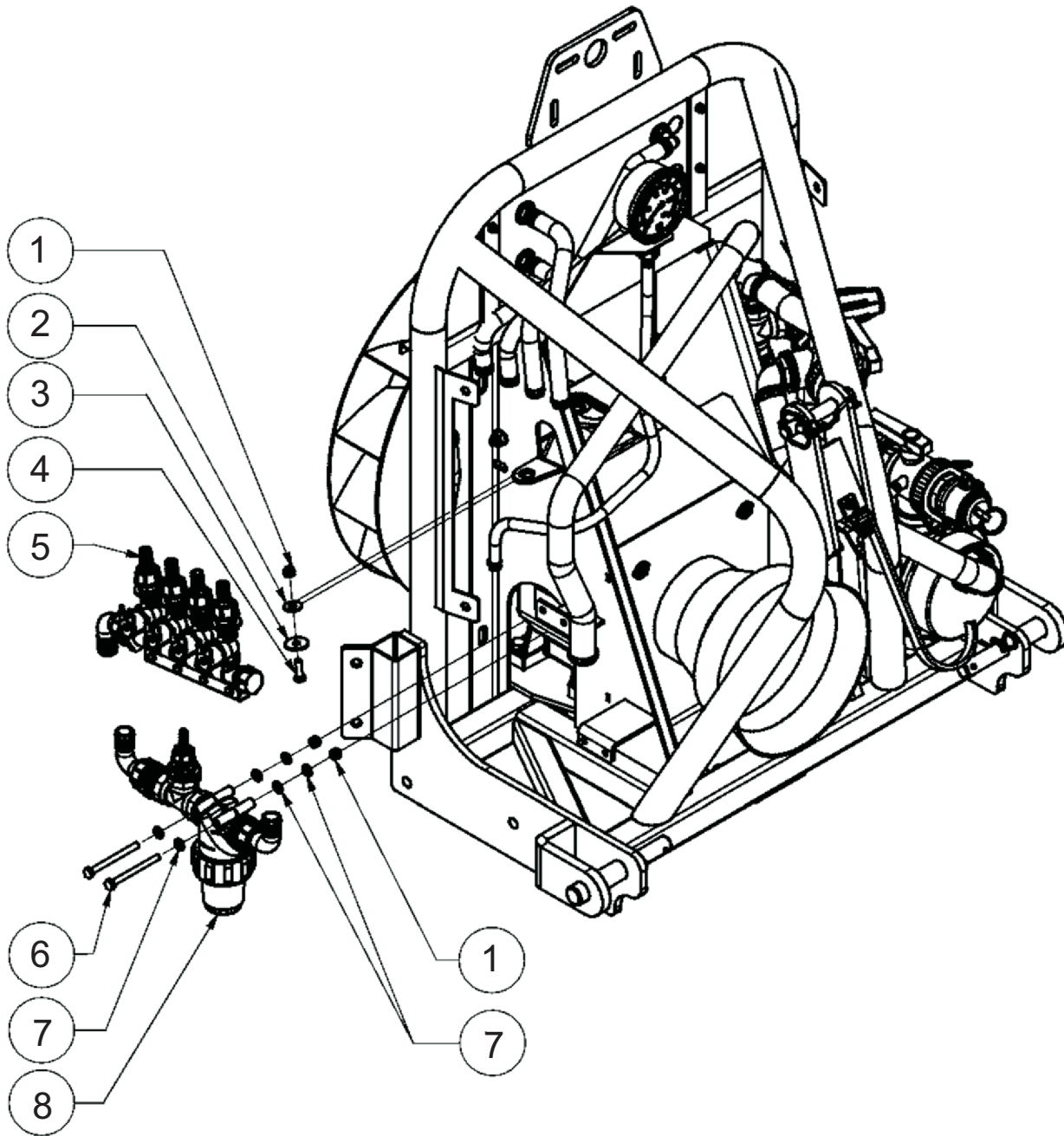
Item#	Part#	Description	Qty
9	VM-D00008.000.0A	Nut - M8	6
10	VM-TEI008.020.TF	Bolt - TE M8 x 20 (stainless)	4
11	VM-F0025.040.00	Hose clamp W2 - 12 x 25-40 mm	10
12	VM-100073.000.00	Tubing - D 30 mm (black)	3
13	VM-100038.000.00	Threaded Collar - 1-1/4"	1
14	VM-100028.000.00	Barb fitting D.30 mm (straight)	1
15	VM-OR0003.100.00	O-Ring 3100 - 25.07 x 2.62	2
16	VM-100085.000.00	Barb fitting D.30 mm x 1-1/4"MPT	1

PTO SUPPORT HOOK



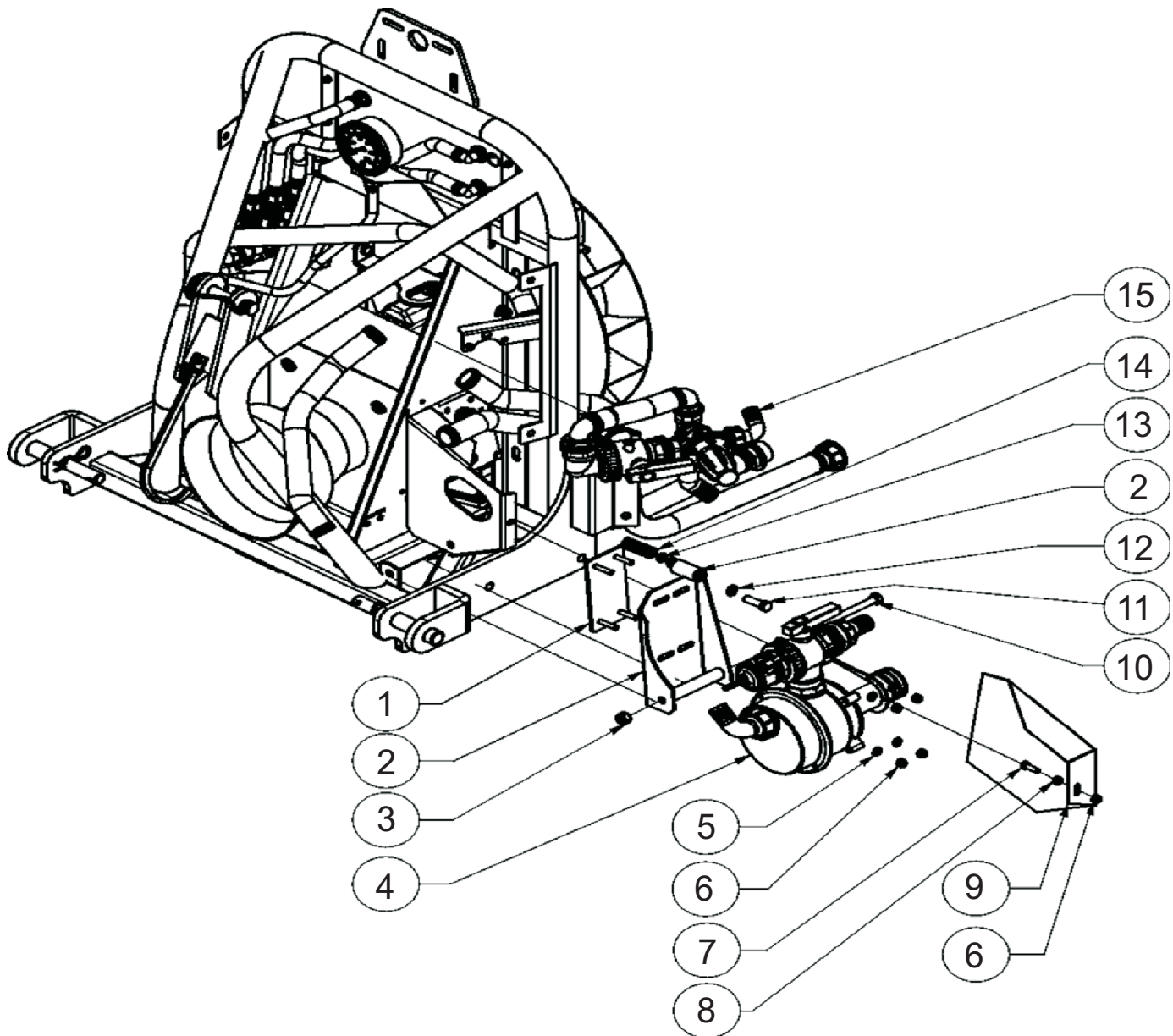
Item#	Part#	Description	Qty
1	VM-D00008.000.0B	Nut - M8 (basso)	1
2	VM-000776.000.00	Angle bracket for PTO support hook	1
3	VM-000100.100.00-A	PTO support hook	1
4	VM-100148.000.00	Spring - D 2.5mm - Ext 16 mm - L=15 mm	1
5	VM-RP0008.000.00	Washer - 8 ZB	1
6	VM-TE0008.030.TF	Bolt - TE M8 x 30 ZB	1

ELECTRO-VALVES / FILTER / FITTINGS



Item#	Part#	Description	Qty
1	VM-DA0008.000.00	Nut (self-locking) - M8	4
2	VM-RP0008.024.00	Washer - 8 x 24 (stainless)	5
3	VM-RP0008.032.00	Washer - 8 x 32 ZB	1
4	VM-TEI008.025.TF	Bolt - TE M8 x 25 (stainless)	2
5	Electro-valves	---> see complete parts list on Page 7	-
6	VM-TE0008.090.FP	Bolt - TE M8 x 90 ZB	2
7	VM-RP0008.000.00	Washer - 8 ZB	14
8	Liquid filters	---> see complete parts list on Page 8	-

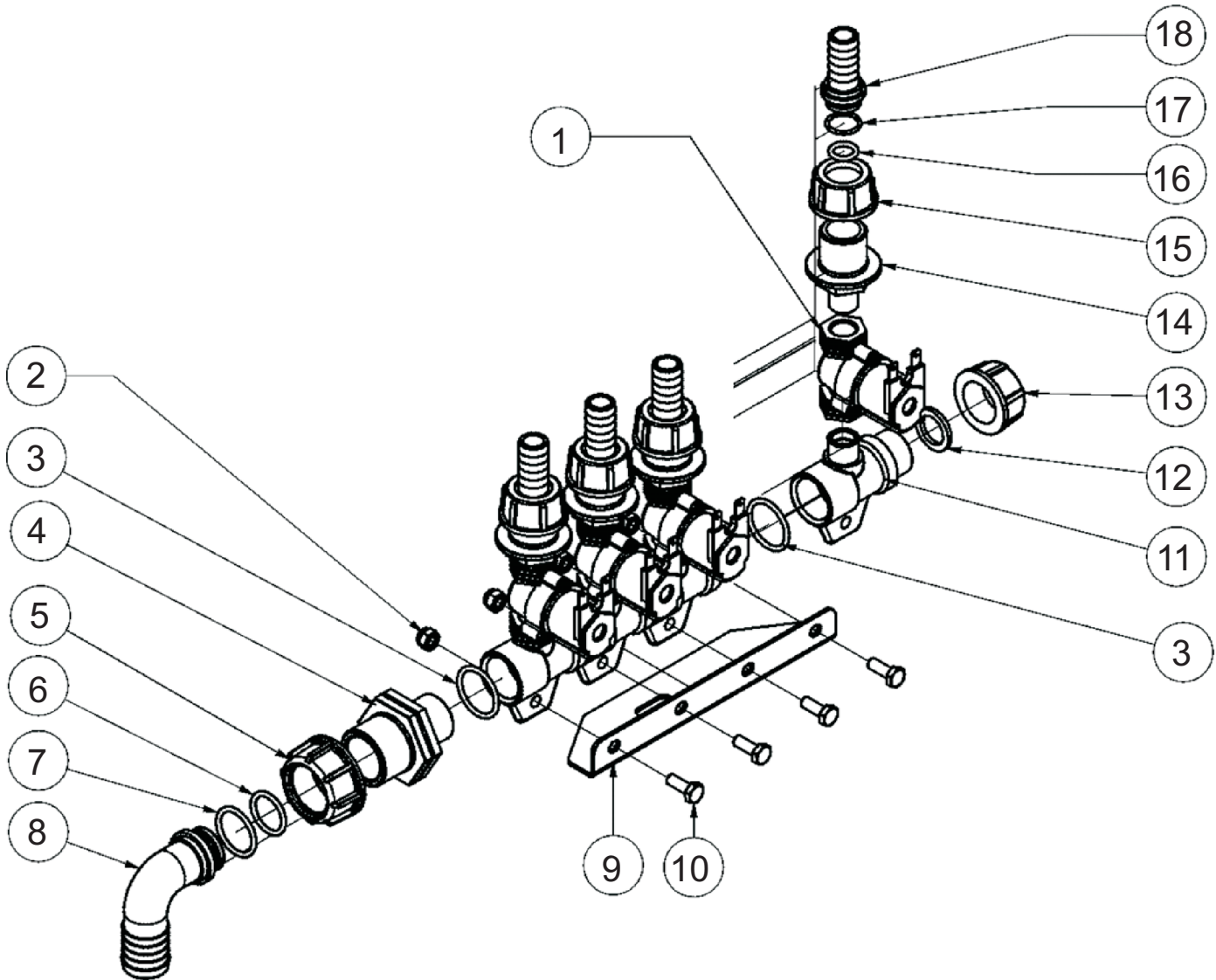
CENTRIFUGAL PUMP / SUPPORT / FITTINGS



Item#	Part#	Description	Qty
1	VM-000860.000.00	Support plate - Centrifugal pump	1
2	VM-000859.000.00	Pump support bracket	1
3	VM-DA0012.000.00	Nut (self-locking) - M12 (alto)	1
4	Centrifugal pump ---->	see complete parts list on Page 9	-
5	VM-RP0008.000.00	Washer - 8 ZB	14
6	VM-DAI008.000.00	Nut (self-locking) - M8 - Stainless	5
7	VM-TE008.025.TF	Bolt - TE M8 x 25 (stainless)	2
8	VM-D00008.000.0A	Nut - M8	6

Item#	Part#	Description	Qty
9	VM-000862.000.00	Protective shield / belt drive cover	1
10	VM-TE0012.160.FP	Bolt - TE M12 x 160 mm	1
11	VM-TE0012.040.TF	Bolt - TE M12 x 40	1
12	VM-RP0012.000.00	Washer - 12	5
13	VM-RPI006.018.00	Washer - 6 x 18 (stainless)	6
14	VM-100147.000.00	Spring for pump - EN10270/3-1.4310	1
15	Pressure regulator assembly ---->	see parts list on Page 10	-

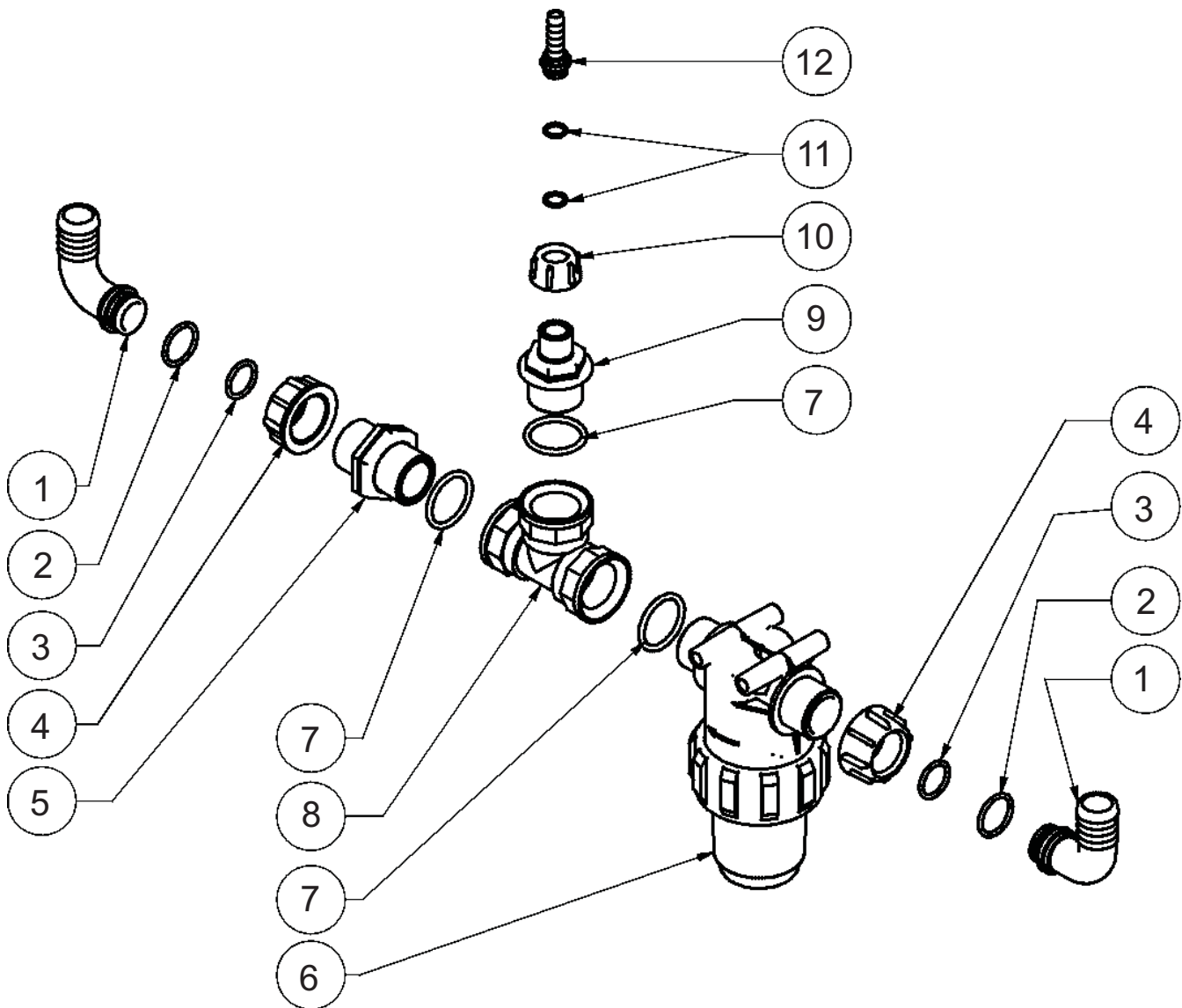
ELECTRO-VALVES / FITTINGS



Item#	Part#	Description	Qty
1	VM-100196.000.00	Electro-valve - 3/8"F x 3/8"F - 12V	4
2	VM-DAI006.000.00	Nut (self-locking) - M6 Stainless	4
3	VM-OR0003.100.00	O-Ring 3100 - 25.07 x 2.62	4
4	VM-100135.000.00	Reducer - 1"M x 3/4"M	1
5	VM-100037.000.00	Threaded Collar - 1"	1
6	VM-OR0003.081.00	O-Ring 3081 - 24.24 x 2.62	1
7	VM-OR0000.132.00	O-Ring 132 - 23.81 x 2.62	1
8	VM-100159.000.00	Barb fitting D.25 mm - 90 degree	1
9	VM-000857.000.00	Valve support bracket - 4 valves	1

Item#	Part#	Description	Qty
10	VM-TEI006.016.TF	Bolt - TE M6 x 16 (stainless)	4
11	VM-100394.000.00	Tee - support for electrovalve - 3/4"M x 3/8"M x Valve	4
12	VM-100435.000.00	Flat washer - 24.5 x 17 x 2.5 mm (rubber)	1
13	VM-TF0000.003.04	Threaded cap - 3/4" FM	1
14	VM-100194.000.00	Reducer - 3/4"M x 3/8"M	4
15	VM-100058.000.00	Threaded Collar - 3/4"	4
16	VM-OR0003.043.00	O-Ring 3043 - 10.77 x 2.62	4
17	VM-OR0002.062.00	O-Ring 2062 - 15.60 x 1.78	4
18	VM-100343.000.00	Barb fitting D.15 mm (straight)	4

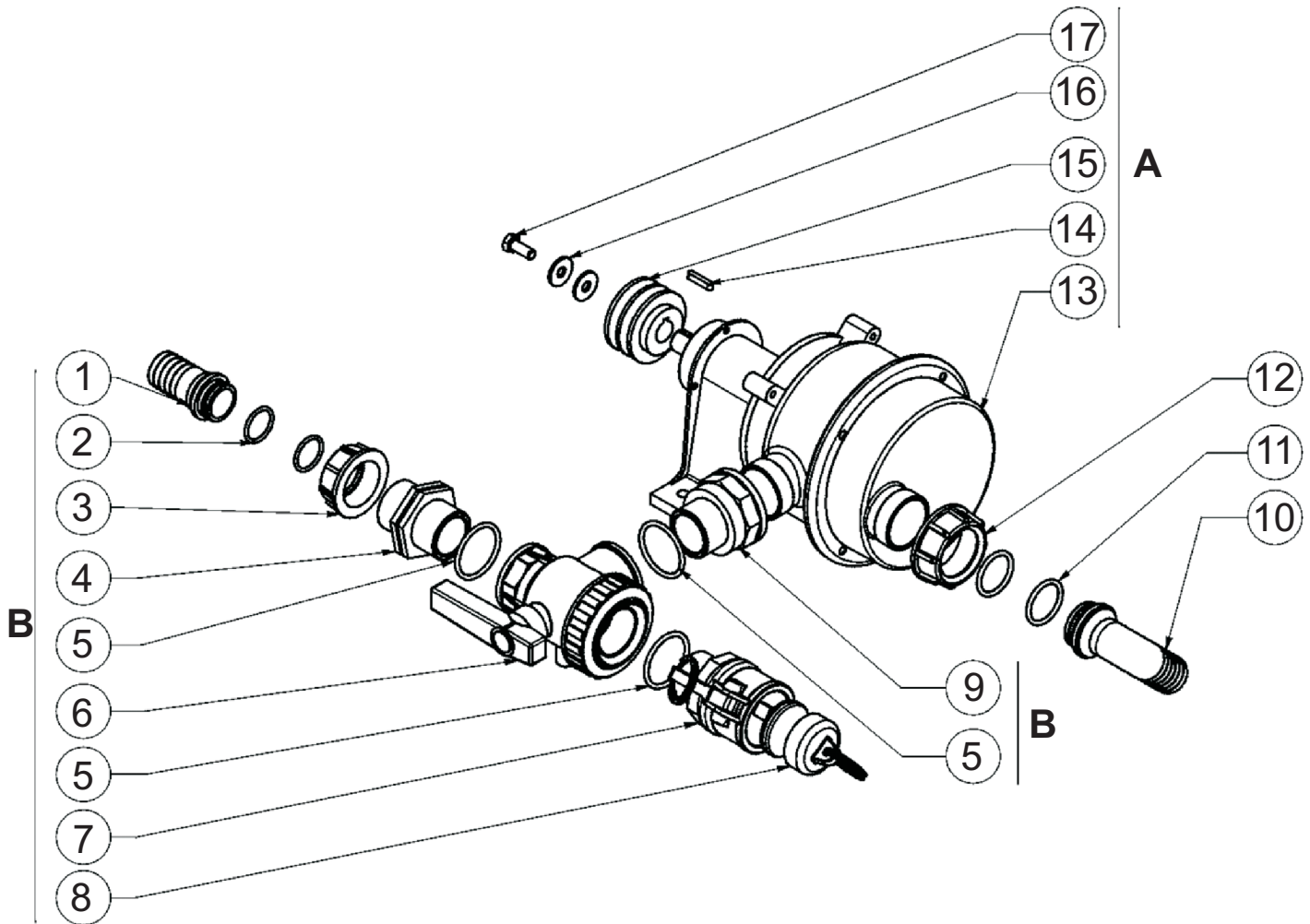
FILTER / FITTINGS



Item#	Part#	Description	Qty
1	VM-100159.000.00	Barb fitting D.25 mm - 90 degree	2
2	VM-OR0000.132.00	O-Ring 132 - 23.81 x 2.62	2
3	VM-OR0003.081.00	O-Ring 3081 - 24.24 x 2.62	2
4	VM-100037.000.00	Threaded Collar - 1"	2
5	VM-100094.000.00	Nipple - 1" MxM	1
6	VM-100009.000.00	Filter assembly - 50 mesh - 1"F x 1"F	1

Item#	Part#	Description	Qty
7	VM-OR0004.125.00	O-Ring 4125 - 31.34 x 3.53	3
8	VM-100041.000.00	Tee - 1"F x 1"F x 1"F	1
9	VM-100121.000.00	Reducer - 1"M x 1/2"M	1
10	VM-100036.000.01	Threaded Collar - 1/2"	1
11	VM-OR0002.043.00	O-Ring 2043 - 10.82 x 1.78	2
12	VM-100598.000.00	Barb fitting D.10mm (straight)	1

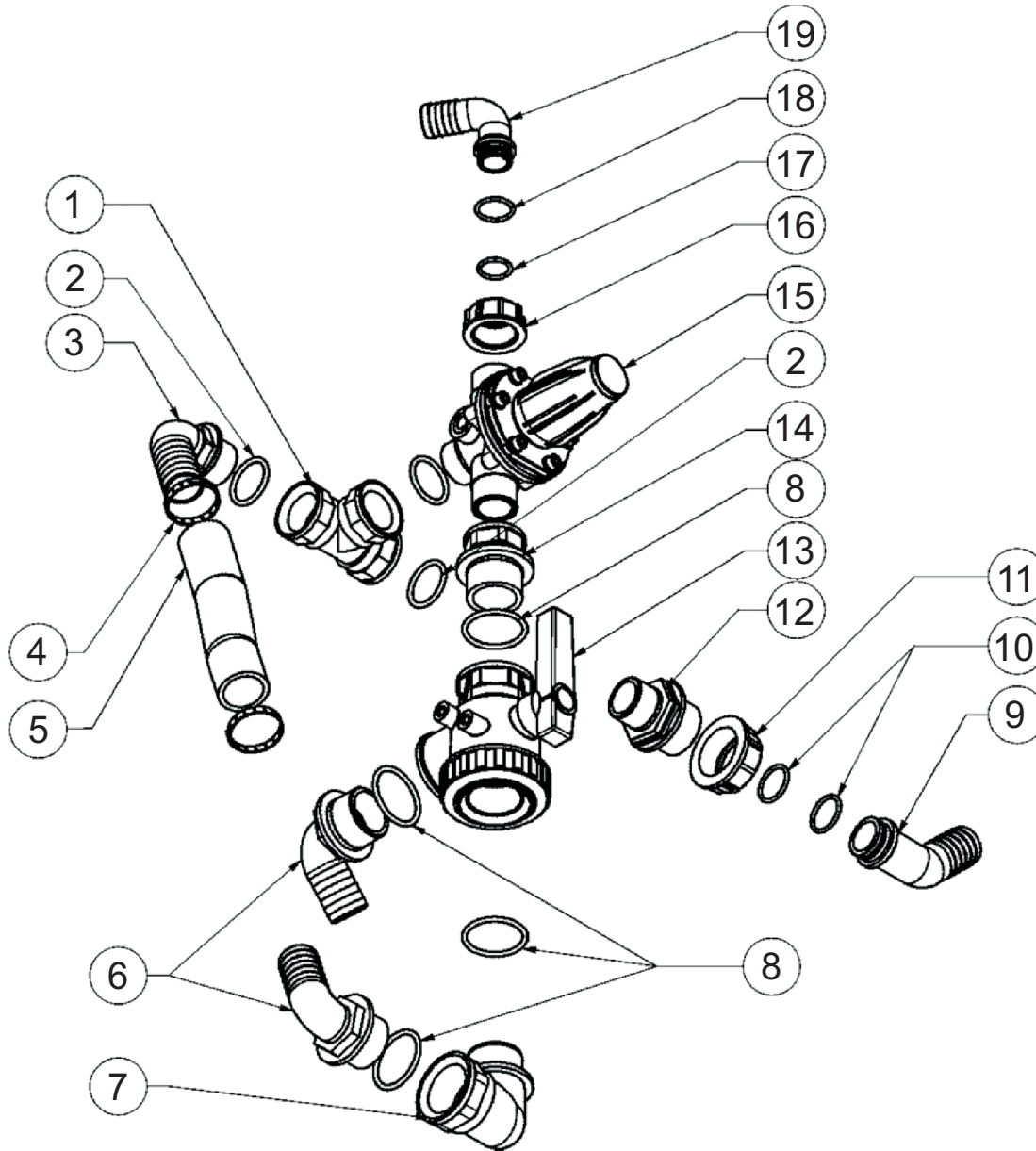
CENTRIFUGAL PUMP / VALVE / FITTINGS



Item#	Part#	Description	Qty
1	VM-100028.000.00	Barb fitting D.30 mm (straight)	1
2	VM-OR0003.100.00	O-Ring 3100 - 25.07 x 2.62	2
3	VM-100038.000.00	Threaded Collar - 1-1/4"	1
4	VM-100000.000.00	Nipple - 1-1/4" MxM	1
5	VM-OR0004.162.00	O-Ring - 40.86 x 3.53	3
6	VM-100100.000.00	Ball Valve - 3 way - 1-1/4" FMxFMxFM	1
7	VM-100052.000.00	Quick attachment - FM adapter x 1-1/4" MPT	1
8	VM-100053.000.00	Plug - Quick attachment - 1-1/4" M	1
9	VM-100230.000.00	Reducer nipple - 1-1/2"F x 1-1/4"M	1
10	VM-100181.000.00	Barb fitting D.30 mm - 90 degree (1-1/2")	1

Item#	Part#	Description	Qty
11	VM-OR0004.125.00	O-Ring 4125 - 31.34 x 3.53	2
12	VM-100182.000.00	Threaded Collar - 1-1/2"	1
13	VM-100065.000.00	Pump - AL 40 (stainless steel)	1
14	VM-CH0005.005.25	Shaft Key - 5 x 5 x 25	1
15	VM-100364.000.00	Pulley - D = 60 mm - pump side	1
16	VM-RPI008.024.00	Washer - 8 x 24 (stainless)	2
17	VM-TEI008.020.TF	Bolt - TE M8 x 20 (stainless)	1

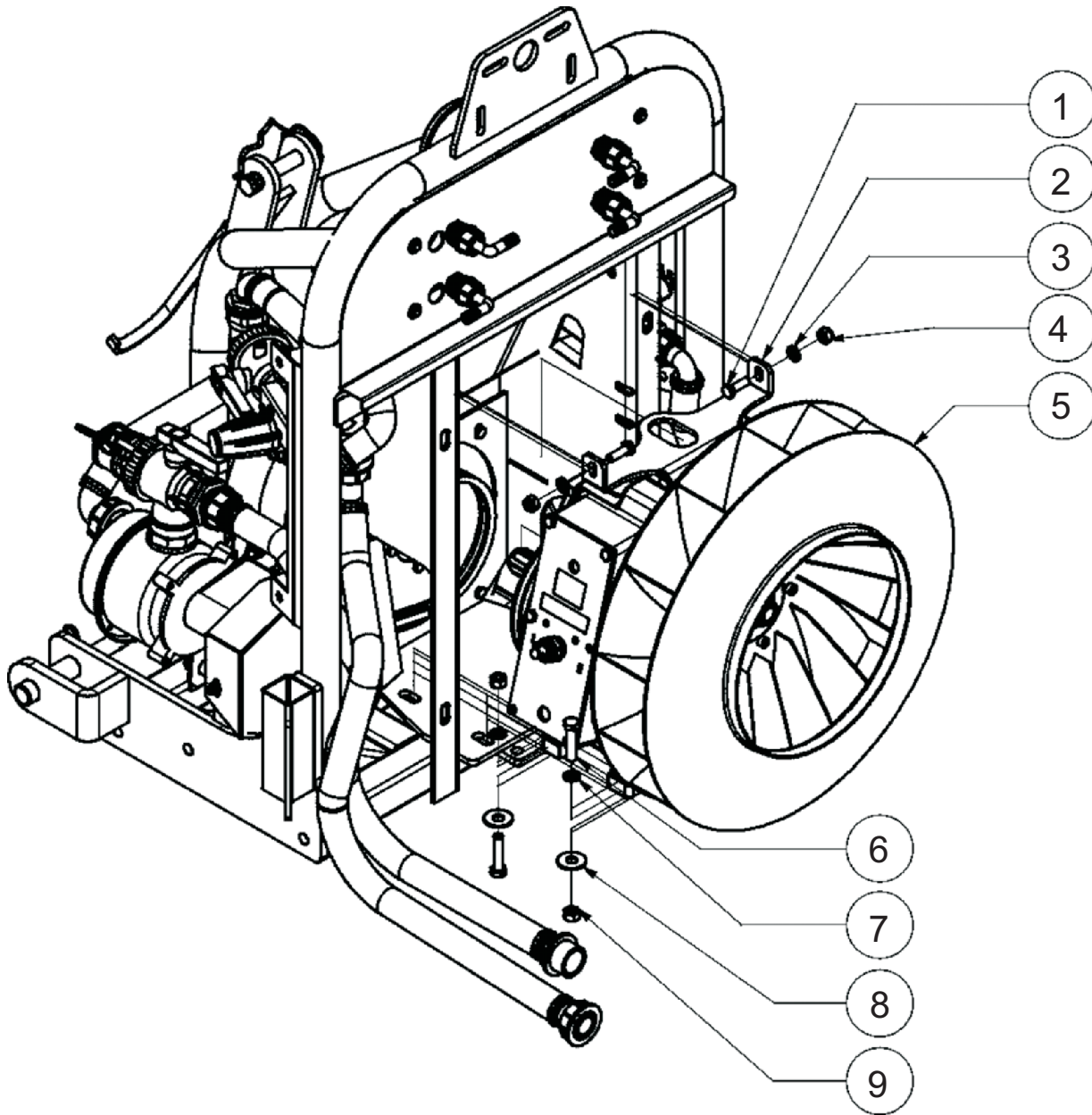
PRESSURE REGULATOR / VALVE / FITTINGS



Item#	Part#	Description	Qty
1	VM-100041.000.00	Tee - 1"F x 1"F x 1"F	1
2	VM-OR0004.125.00	O-Ring 4125 - 31.34 x 3.53	3
3	VM-100022.000.00	Barb fitting D.30 mm x 1"MPT - 90 degree	1
4	VM-F0025.040.00	Hose clamp W2 - 12 x 25-40 mm	2
5	VM-100073.000.00	Tubing - D 30 mm (black)	1
6	VM-100027.000.00	Barb fitting D.30 mm x 1-1/4" MPT - 90 degree	2
7	VM-100043.000.00	Street "L" 90° - 1-1/4"M-F	1
8	VM-OR0004.162.00	O-Ring - 40.86 x 3.53	4
9	VM-100031.000.00	Barb fitting D.30 mm - 45 degree	1
10	VM-OR0003.100.00	O-Ring 3100 - 25.07 x 2.62	2

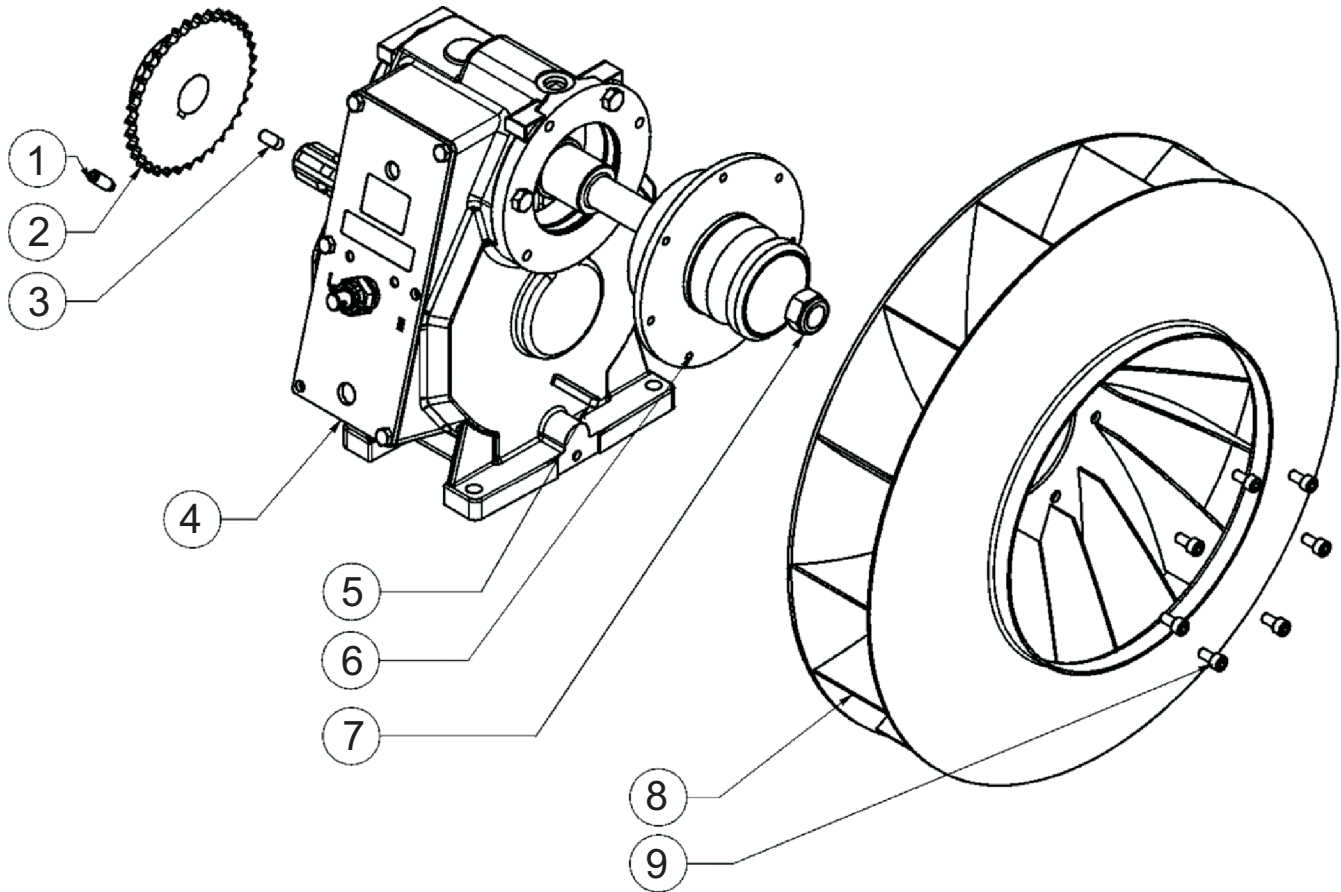
Item#	Part#	Description	Qty
11	VM-100038.000.00	Threaded Collar - 1-1/4"	1
12	VM-100095.000.00	Reducer - 1"M x 1-1/4"M	1
13	VM-100100.000.00	Ball Valve - 3 way - 1-1/4" FMxFMxFM	1
14	VM-100006.000.00	Reducer - 1-1/4"M x 1"F	1
15	VM-100045.000.00	Pressure regulator - 1"MPT x 1"MPT x 1"MPT	1
16	VM-100037.000.00	Threaded Collar - 1"	1
17	VM-OR0003.081.00	O-Ring 3081 - 24.24 x 2.62	1
18	VM-OR0000.132.00	O-Ring 132 - 23.81 x 2.62	1
19	VM-100159.000.00	Barb fitting D.25 mm - 90 degree	1

SPIRAL FAN ASSEMBLY



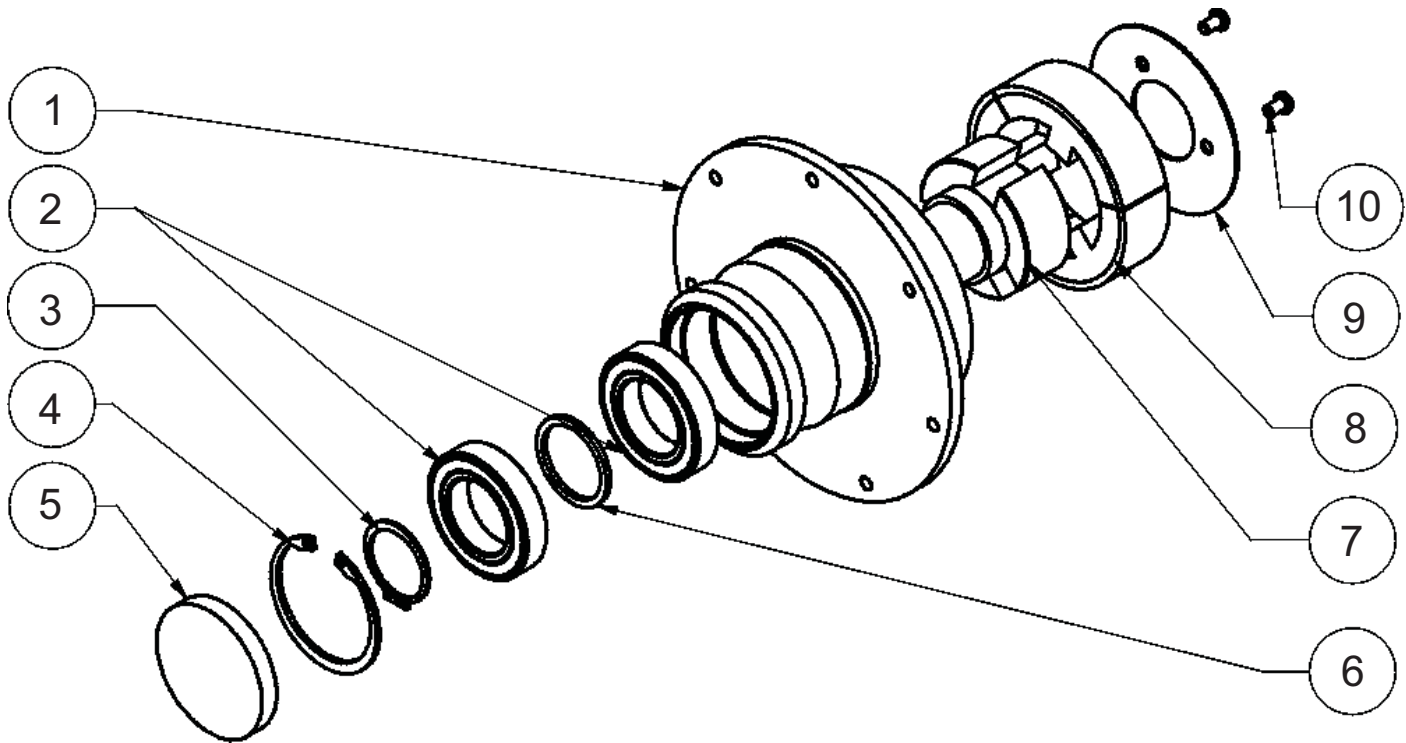
Item#	Part#	Description	Qty
1	VM-TE010.030.TF	Bolt - TE M10 x 30 (stainless)	2
2	VM-SL0183	Support strap for gearbox	1
3	VM-RP010.000.00	Washer - 10 (stainless)	2
4	VM-DA0010.000.00	Nut (self-locking) - M10	2
5	(call)	Complete gearbox assembly	1
6	VM-TE0012.050.TF	Bolt - TE M12 x 50 ZB	4
7	VM-RP0012.000.00	Washer - 12	5
8	VM-RP0012.036.00	Washer - 12 x 36 mm SP.2.5	4
9	VM-D00012.000.00	Nut - M12	4

SPIRAL FAN / GEARBOX



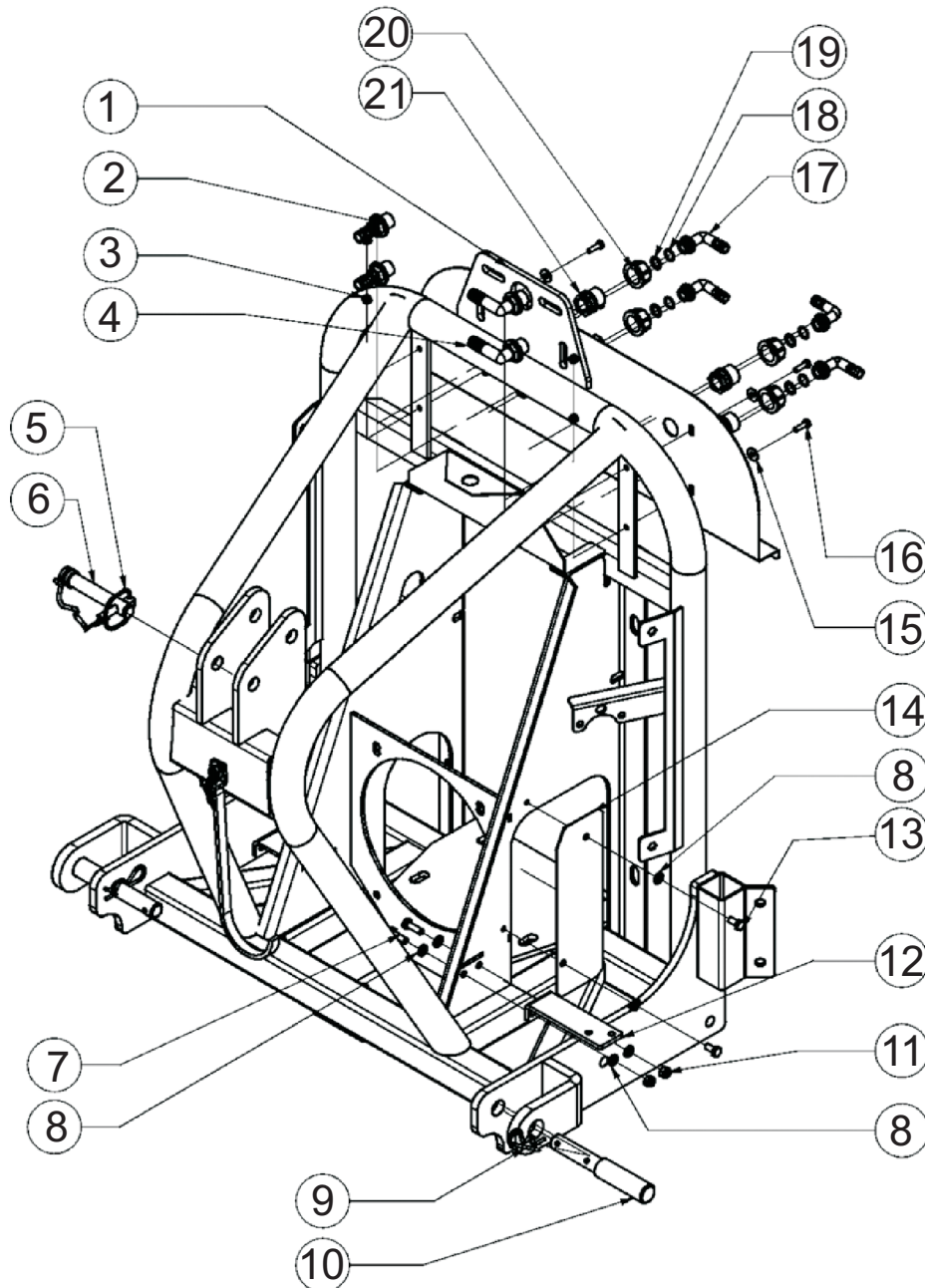
Item#	Part#	Description	Qty
1	VM-GRS010.030.00	Set screw - M10 x 30 mm	1
2	VM-100313.00M.00	Gear - Z=35 (Gearbox shaft)	1
3	VM-CH0010.008.20	Shaft Key - 10 x 8 x 20	1
4	VM-100558.000.00	Gearbox (complete assembly)	1
5	VM-CH0008.007.50	Shaft Key - 8 x 7 x 50	1
6	VM-000753.000.00	Clutch assembly (free rotation) for fan - Mod. Power 50	1
7	VM-DA0022.001.50	Nut (self-locking) - M22 x 1.5 (basso)	1
8	VM-000005.000.00	Fan blade assembly - Diam. 50 cm	1
9	VM-TCE008.016.00	Bolt - TCEI M8 x 16	7

CLUTCH ASSEMBLY FOR FAN



Item#	Part#	Description	Qty
1	VM-000041.000.00	Clutch housing/support	1
2	VM-K06008.2RS.00	Bearing - 6008 2RS	2
3	VM-SE0040.000.00	Snap ring (External) D. 40	1
4	VM-SI0068.000.00	Snap ring (External) D. 68	1
5	VM-PO0072.000.10	Dust cap for fan clutch - RCA 72x10	1
6	VM-000040.000.00	Spacing collar for bearings	1
7	VM-000065.003.00	Clutch joint hub (internal)	1
8	VM-000065.000.00	Clutch joint hub (external) with springs and spline	1
9	VM-000041.100.00	Support flange for clutch assembly GRZ	1
10	VM-TBEI06.010.00	Bolt - TBEI M6 x 10 ISO	3

FITTINGS / FASTENERS / PINS

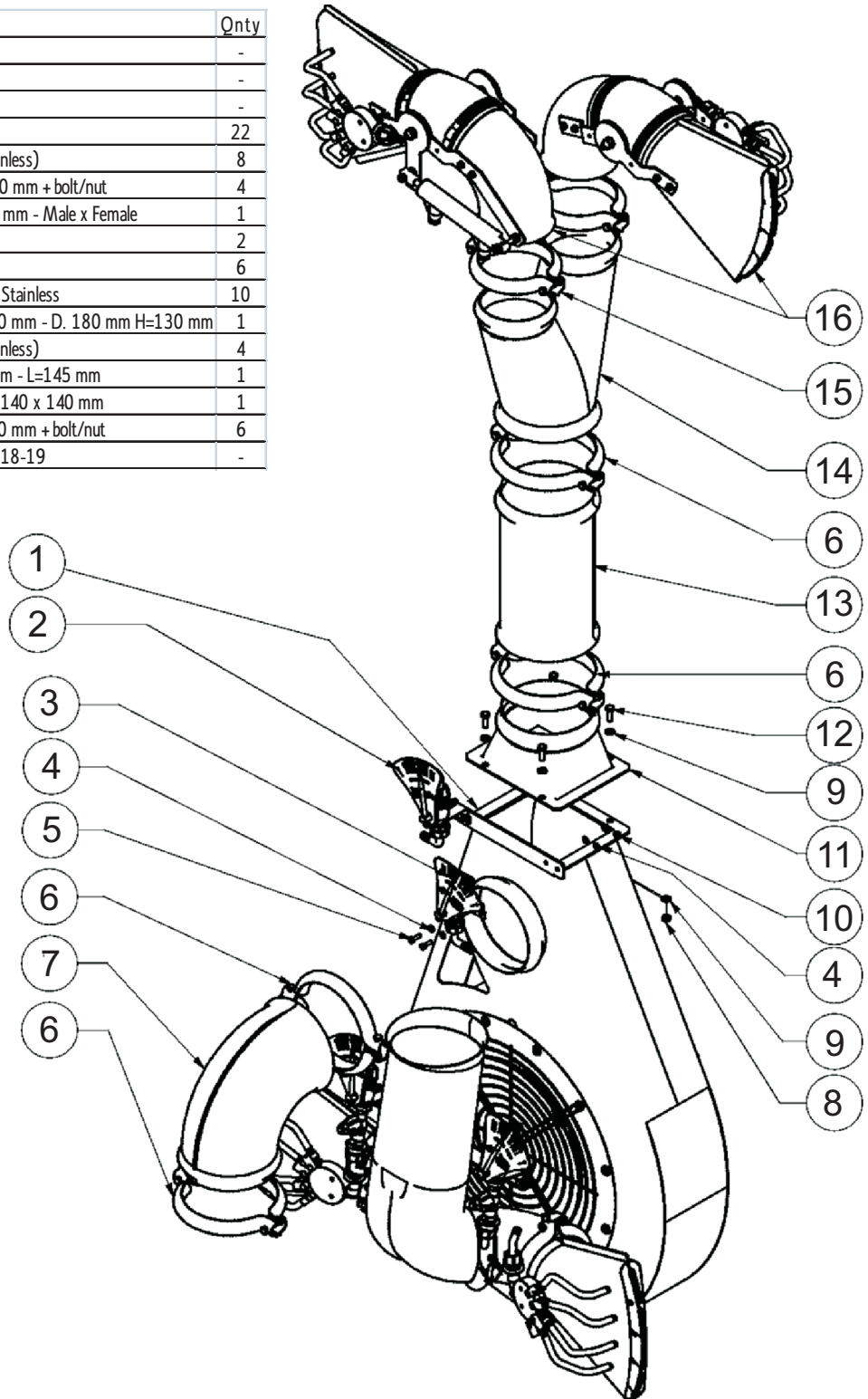


Item#	Part#	Description	Qty
1	VM-000002.100.00	Sprayer main frame (tubular) - Power 50/55	1
2	VM-100341.000.00	Barb fitting D.15 mm x 1/2"MPT	2
3	VM-DAI006.000.00	Nut (self-locking) - M6 Stainless	4
4	VM-100340.000.00	Barb fitting D.15 mm x 1/2"MPT - 90 degree	2
5	VM-100273.000.00	Circular clip + rubber strap	1
6	VM-100272.000.00	Linkage pin - D. 19 mm	1
7	VM-TE0008.025.TF	Bolt - TE M8x25 ZB	3
8	VM-RP0008.000.00	Washer - 8 ZB	6
9	VM-CP0004.000.00	R-clip - Diam. 4 mm	2
10	VM-100474.000.00	Linkage pin - D. 22-28 mm - L=180 mm	2
11	VM-DA0008.000.00	Nut (self-locking) - M8	3

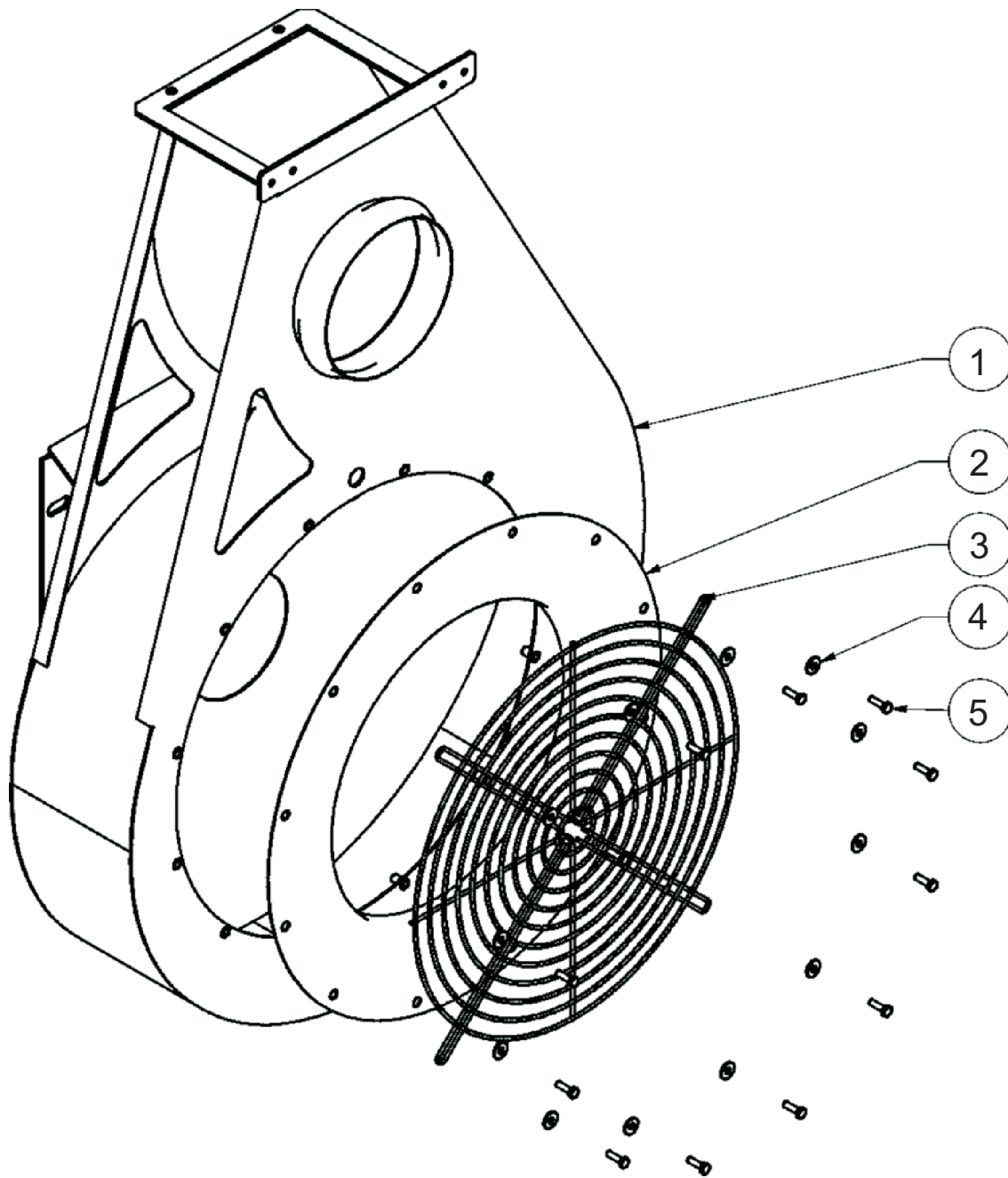
Item#	Part#	Description	Qty
12	VM-100596.000.00	Support bracket for 3-way valve	1
13	VM-TE0008.016.TF	Bolt - TE M8 x 16 (zinc)	2
14	VM-000904.000.00	Cover plate	1
15	VM-RPI006.018.00	Washer - 6 x 18 (stainless)	4
16	VM-TEI006.020.TF	Bolt - TE M6 x 20 (stainless)	4
17	VM-100184.000.00	Barb fitting D.13 mm - 90 degree	4
18	VM-OR0002.056.00	O-Ring 2056 - 14 x 1.78	4
19	VM-OR0000.117.00	O-Ring 117 - 13.10 x 2.62	4
20	VM-100058.000.00	Threaded Collar - 3/4"	4
21	VM-100002.000.00	Reducer - 3/4"M x 1/2"FM	4

FAN HOUSING / SPRAY TOWER

Item#	Part#	Description	Qty
1	Fan housing PW 50	----> see Page 16	-
2	Flow regulator - Upper/Left	----> see Page 21	-
3	Flow regulator - Upper/Right	----> see Page 21	-
4	VM-RPI006.000.00	Washer - 6 (stainless)	22
5	VM-TEI006.020.TF	Bolt - TE M6 x 20 (stainless)	8
6	VM-000024.000.00	Collar/clamp - Diam 180 mm + bolt/nut	4
7	VM-000890.000.00	Elbow-Tube - Diam 180 mm - Male x Female	1
8	VM-D00008.000.OT	Nut - M8 (brass)	2
9	VM-RPI008.000.00	Washer - 8 (stainless)	6
10	VM-DAI006.000.00	Nut (self-locking) - M6 Stainless	10
11	VM-000929.000.00	Flange/collar - 250x200 mm - D. 180 mm H=130 mm	1
12	VM-TEI008.025.TF	Bolt - TE M8 x 25 (stainless)	4
13	VM-000925.000.00	Extension tube - 180 mm - L=145 mm	1
14	VM-000476.000.00	Y-diverter tube - 180 x 140 x 140 mm	1
15	VM-000025.000.00	Collar/clamp - Diam 140 mm + bolt/nut	6
16	Fan difusser (Right/Left) D. 140 mm	----> see Pages 18-19	-

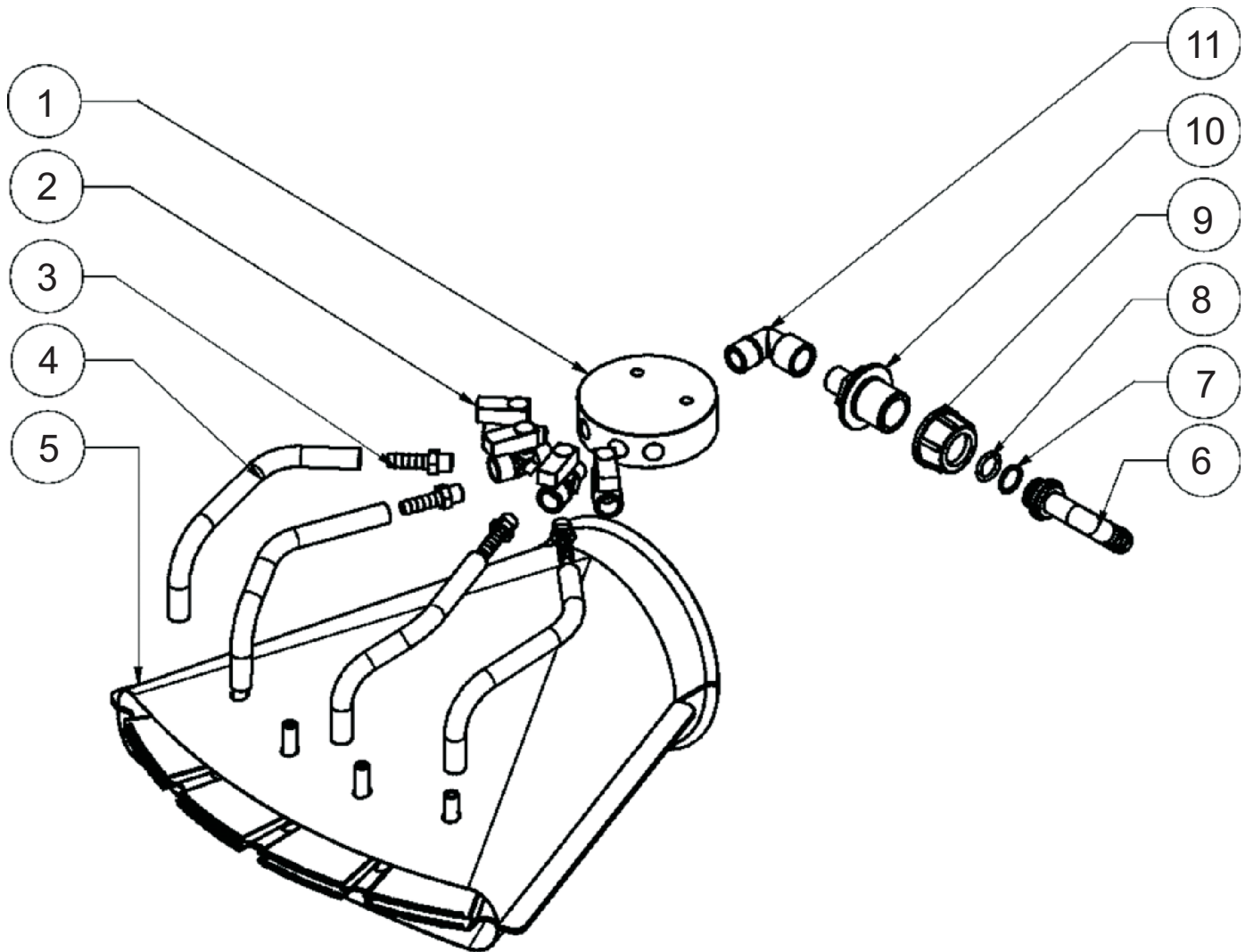


FAN HOUSING / GRILLE



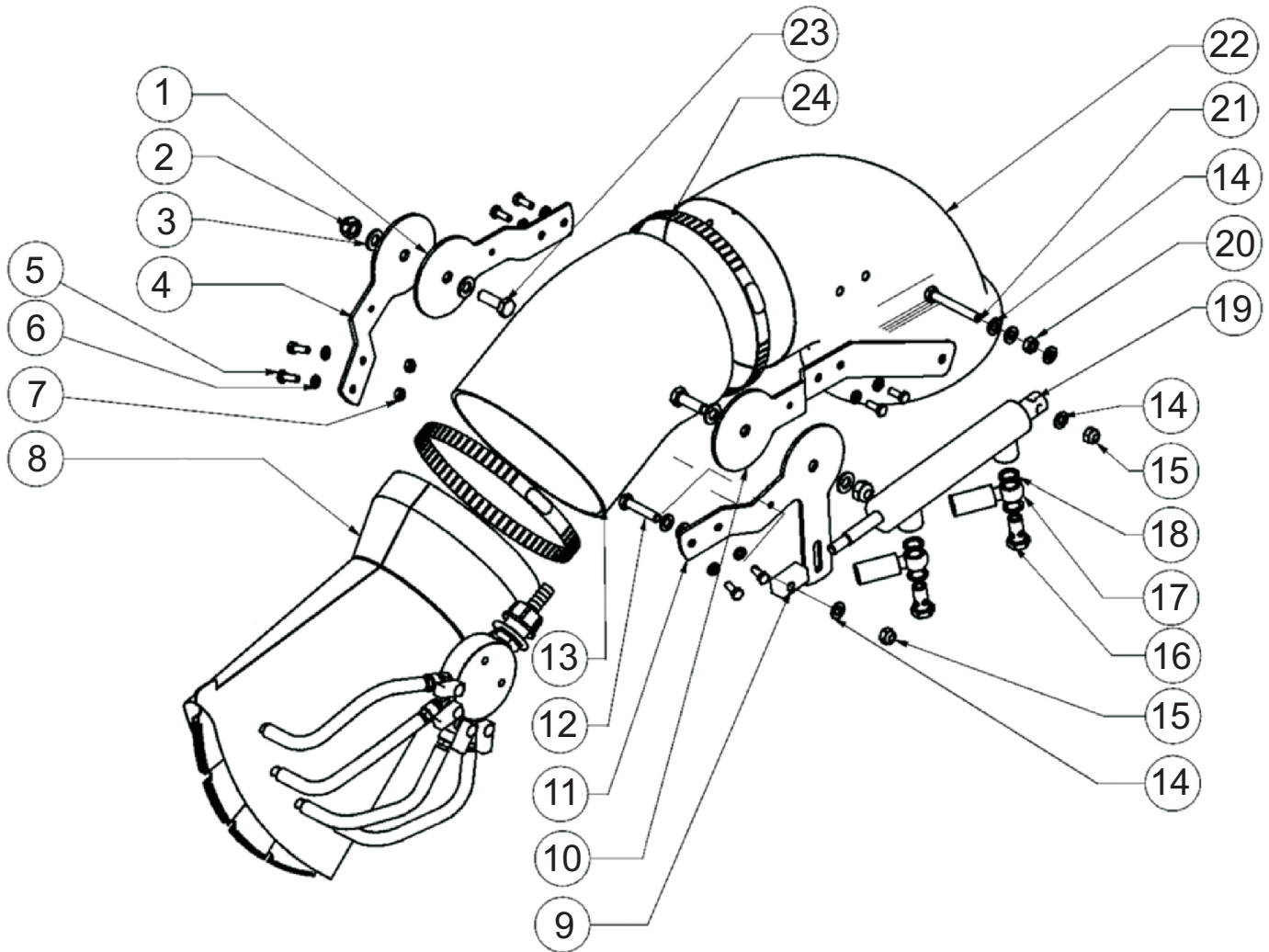
Item#	Part#	Description	Qty
1	VM-000205.000.00	Fan housing assembly - Power 500	1
2	VM-000924.000.00	Protective collar - for fan access - 50 cm fan	1
3	VM-100467.000.00	Fan grill / cover - 50 cm fan	1
4	VM-RPI006.018.00	Washer - 6 x 18 (stainless)	12
5	VM-TEI006.020.TF	Bolt - TE M6 x 20 (stainless)	12

LOWER FAN DIFFUSER ASSEMBLY



Item#	Part#	Description	Qty
1	VM-200042.000.00	Distribution block - spray valves (round)	1
2	VM-100271.000.02	Ball Valve - 1/4" M x 1/4" FM (GHILUX)	4
3	VM-100518.000.00	Barb fitting D.10mm x 1/4M	4
4	VM-100069.000.00	Black tubing - Nr. 20 - 8 x 13 mm	4
5	VM-000493.000.00	Fan spray diffuser (4 nozzle) - Stainless	1
6	VM-100184.000.00	Barb fitting D.13 mm - 90 degree	1
7	VM-OR0002.056.00	O-Ring 2056 - 14 x 1.79	1
8	VM-OR0000.117.00	O-Ring 117 - 13.10 x 2.62	1
9	VM-100058.000.00	Threaded Collar - 3/4"	1
10	VM-100194.000.00	Reducer - 3/4"M x 3/8"M	1
11	VM-100269.000.00	Elbow - 3/8" M x F	1

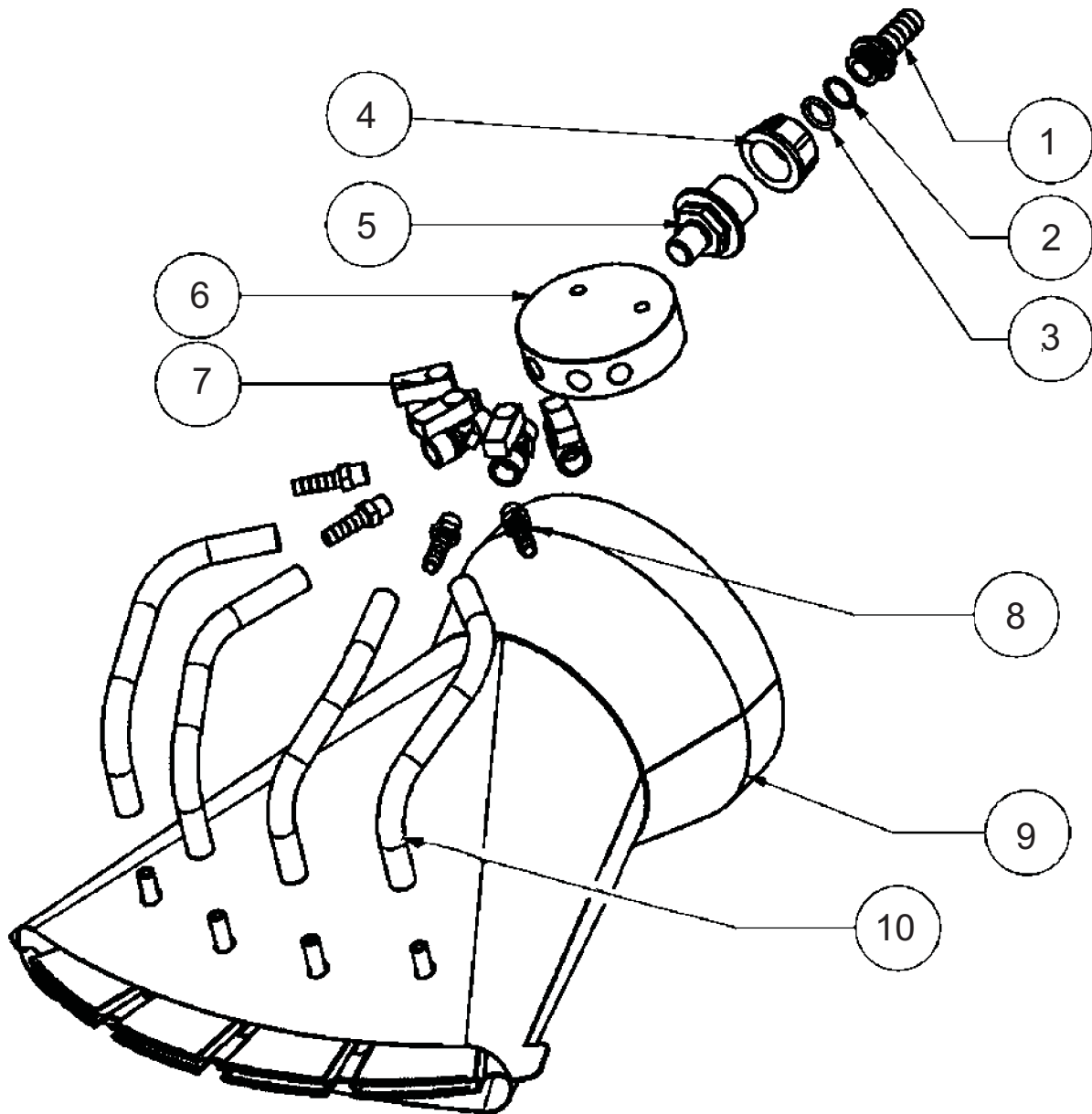
COMPLETE UPPER FAN ASSEMBLY (L/R)



Item#	Part#	Description	Qty
1	VM-000914.000.00	Support strap for pivot point	1
2	VM-DA0010.000.00	Nut (self-locking) - M10	2
3	VM-RPI010.000.00	Washer - 10 (stainless)	4
4	VM-000915.000.00	Support strap for pivot point	1
5	VM-TEI006.016.TF	Bolt - TE M6 x 16 (stainless)	8
6	VM-RPI006.000.00	Washer - 6 (stainless)	8
7	VM-D00006.000.00	Nut - M6 ZB	2
8		Upper fan assembly (Right/Left) ----> See Page 19	-
9	VM-000918.000.00	Piston support block - M8 mm	1
10	VM-000912.000.00	Support strap for pivot point	1
11	VM-000913.000.00	Support strap for pivot point	1
12	VM-TEI008.040.TF	Bolt - TE M8 x 40 (stainless)	1

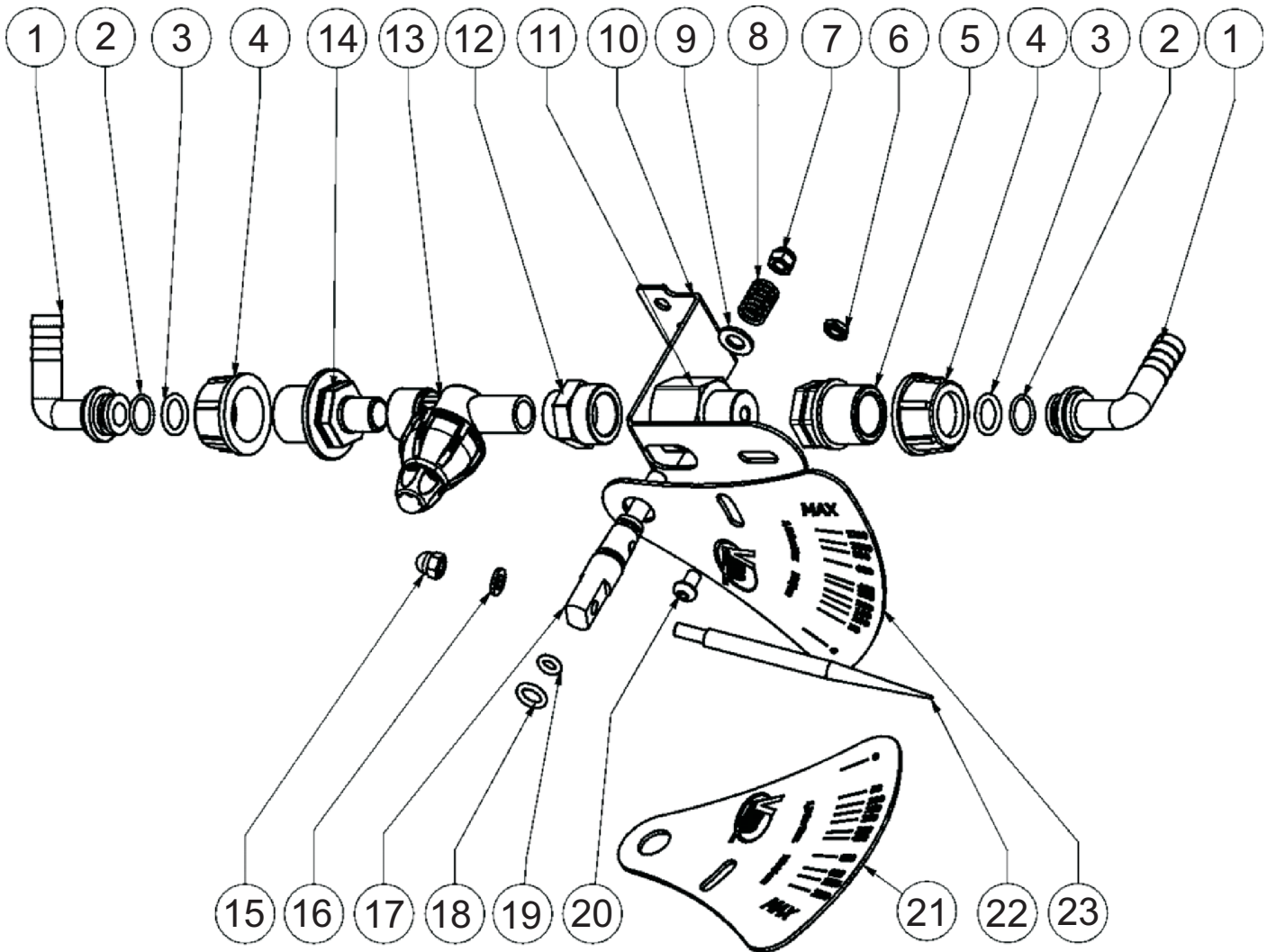
Item#	Part#	Description	Qty
13	VM-100223.000.11	Curved extension - D. 140 mm (Power 50)	1
14	VM-RPI008.000.00	Washer - 8 (stainless)	7
15	VM-DA0008.000.00	Nut (self-locking) - M8	2
16	VM-100569.000.00	Banjo bolt - 1/4" - perforated	2
17	VM-100325.000.00	Hydraulic hose - 1/4" R1 - L = 2500 mm	2
18	VM-100580.000.08	Copper Washer - 1/4"	4
19	VM-100314.000.00	Hydraulic piston (dual action) 35-12-100	1
20	VM-D00008.000.0A	Nut - M8	2
21	VM-TEI008.060.TF	Bolt - TE M8 x 60 (stainless)	1
22	VM-000926.000.00	Elbow-Tube - Diam 140 mm - 75 degree (PW 50)	1
23	VM-TEI010.030.TF	Bolt - TE M10 x 30 (stainless)	2
24	VM-F0140.0160.00	Hose clamp W4 - 12 x 140-160 mm (stainless)	1

UPPER FAN DIFFUSER ASSEMBLY



Item#	Part#	Description	Qty
1	VM-100286.000.00	Barb fitting D.13 mm (straight)	1
2	VM-OR0002.056.00	O-Ring 2056 - 14 x 1.78	1
3	VM-OR0000.117.00	O-Ring 117 - 13.10 x 2.62	1
4	VM-100058.000.00	Threaded Collar - 3/4"	1
5	VM-100194.000.00	Reducer - 3/4"M x 3/8"M	1
6	VM-200042.000.00	Distribution block - spray valves (round)	1
7	VM-100271.000.02	Ball Valve - 1/4" M x 1/4" FM (GHILUX)	4
8	VM-100518.000.00	Barb fitting D.10mm x 1/4M	4
9	VM-000927.000.00	Fan spray diffuser (4 nozzle) - D. 140 mm - PW50	1
10	VM-100069.000.00	Black tubing - Nr. 20 - 8 x 13 mm	4

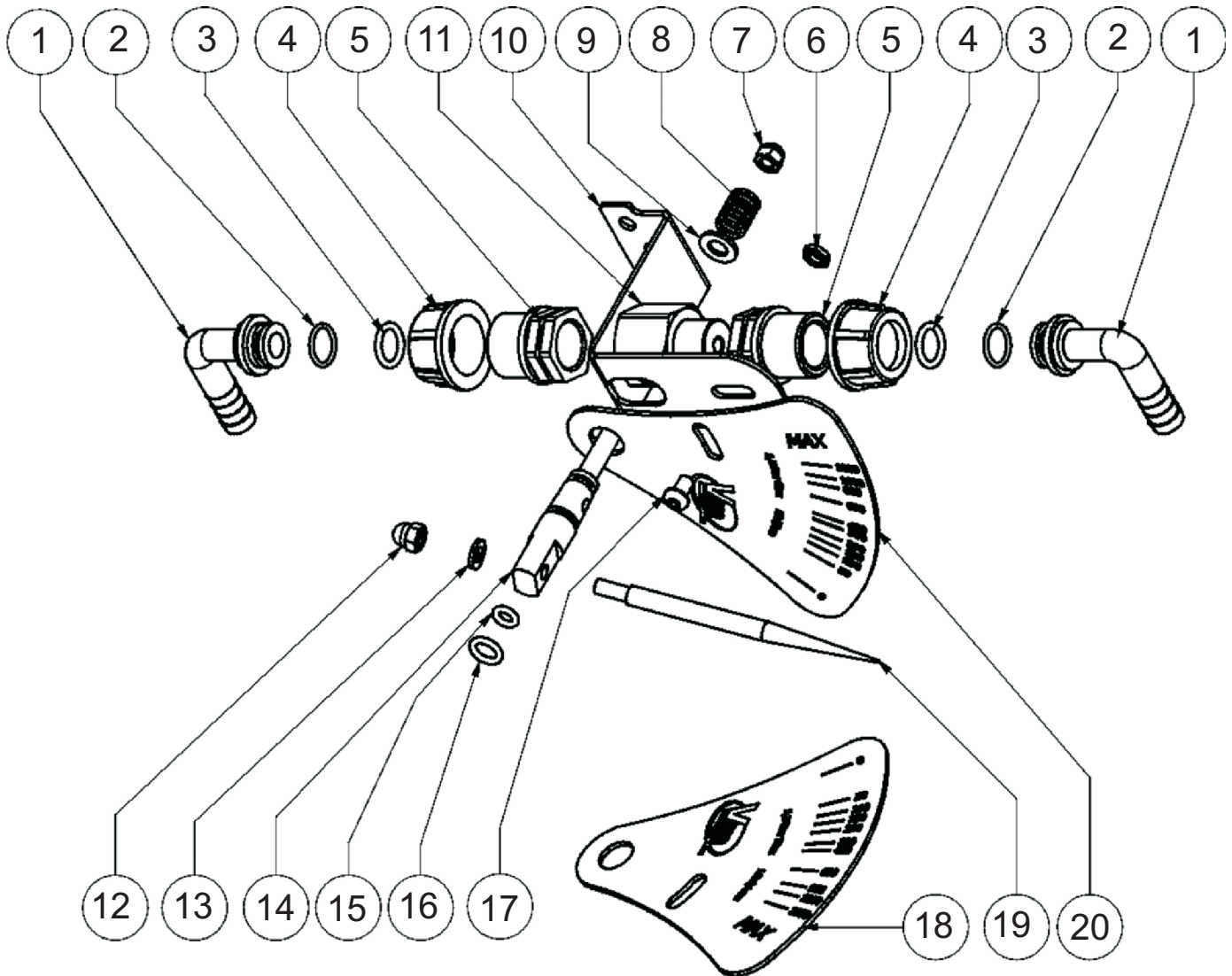
LOWER FLOW REGULATOR ASSEMBLY (L/R)



Item#	Part#	Description	Qty
1	VM-100184.000.00	Barb fitting D.13 mm - 90 degree	2
2	VM-OR0002.056.00	O-Ring 2056 - 14 x 1.78	2
3	VM-OR0000.117.00	O-Ring 117 - 13.10 x 2.62	2
4	VM-100058.000.00	Threaded Collar - 3/4"	2
5	VM-100002.000.00	Reducer - 3/4"M x 1/2"FM	1
6	VM-D00006.000.0B	Nut - M6 Stainless (basso)	1
7	VM-DAI006.000.00	Nut (self-locking) - M6 Stainless	1
8	VM-100603.000.00	Spring - D 1.5mm - Ext 11 mm - L=20 mm	1
9	VM-RPI008.000.00	Washer - 8 (stainless)	1
10	VM-000921.000.00	Support bracket for flow meter	1
11	VM-200051.000.00	Flow meter main body assembly - Hex 30 x 53	1
12	VM-100604.000.00	Reducer - 3/8" x 1/2" F x F	1

Item#	Part#	Description	Qty
13	VM-100452.000.00	Check valve with On/Off valve - 3/8" M x F	1
14	VM-100194.000.00	Reducer - 3/4"M x 3/8"M	1
15	VM-D00006.000.IC	Cap Nut - M6 (stainless)	1
16	VM-RPI006.000.00	Washer - 6 (stainless)	1
17	VM-200052.000.00	Flow meter control shaft	1
18	VM-OR0003.037.00	O-Ring 111 - 9.19 x 2.62	1
19	VM-OR0003.024.00	O-Ring - 6.02 x 2.62 NBR	1
20	VM-TBEI06.010.00	Bolt - TBEI M6 x 10 ISO	1
21	VM-100602.0SX.00	Flow meter graduated plate (stainless) - LEFT	1
22	VM-200043.000.00	Needle	1
23	VM-100602.0DX.00	Flow meter graduated plate (stainless) - RIGHT	1

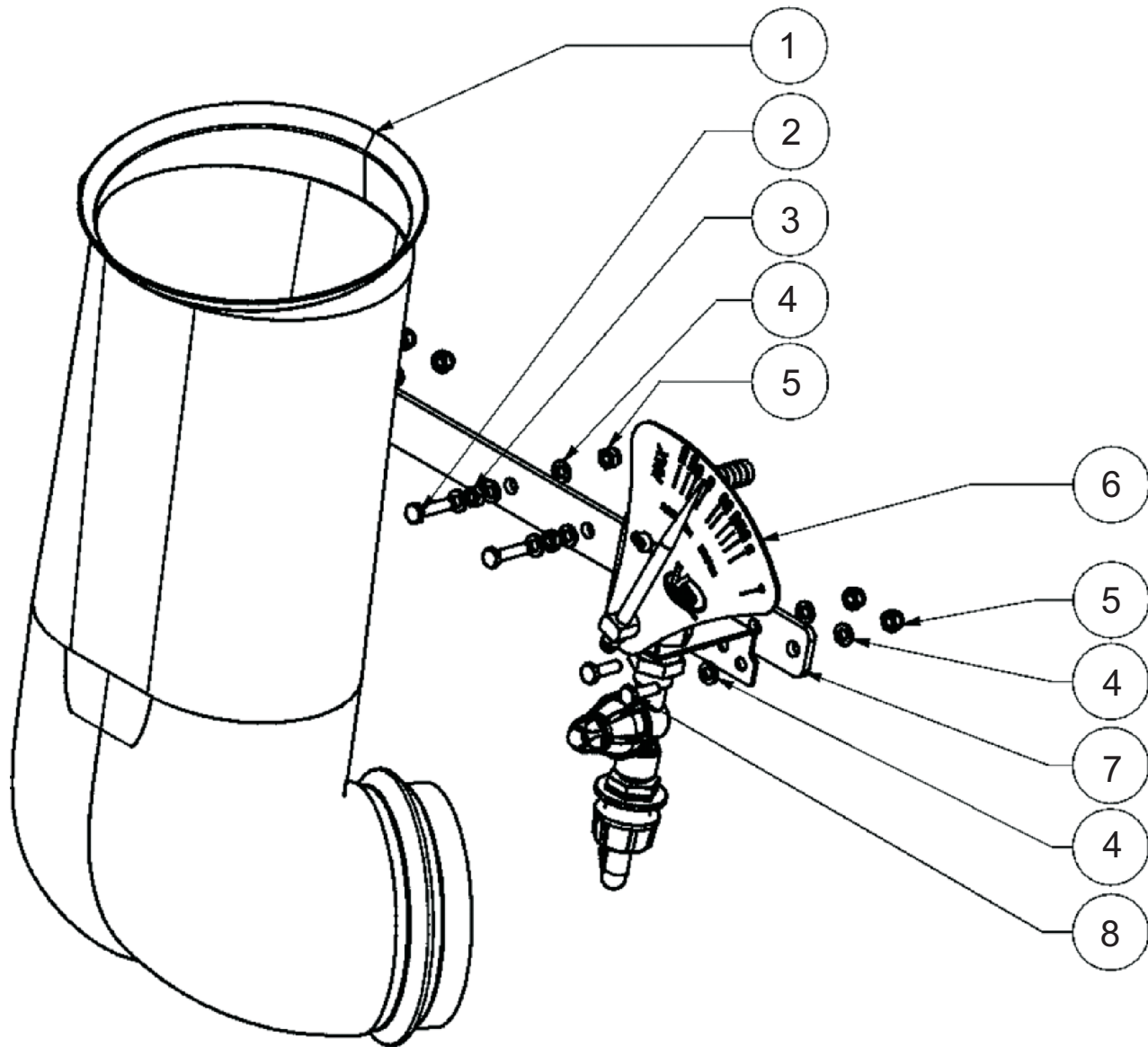
UPPER FLOW REGULATOR ASSEMBLY (L/R)



Item#	Part#	Description	Qty
1	VM-100184.000.00	Barb fitting D.13 mm - 90 degree	2
2	VM-OR0002.056.00	O-Ring 2056 - 14 x 1.78	2
3	VM-OR0000.117.00	O-Ring 117 - 13.10 x 2.62	2
4	VM-100058.000.00	Threaded Collar - 3/4"	2
5	VM-100002.000.00	Reducer - 3/4"M x 1/2"FM	2
6	VM-D00006.000.0B	Nut - M6 Stainless (basso)	1
7	VM-DAI006.000.00	Nut (self-locking) - M6 Stainless	1
8	VM-100603.000.00	Spring - D 1.5mm - Ext 11 mm - L=20 mm	1
9	VM-RPI008.000.00	Washer - 8 (stainless)	1
10	VM-000921.000.00	Support bracket for flow meter	1

Item#	Part#	Description	Qty
11	VM-200051.000.00	Flow meter main body assembly - Hex 30 x 53	1
12	VM-D00006.000.IC	Cap Nut - M6 (stainless)	1
13	VM-RPI006.000.00	Washer - 6 (stainless)	1
14	VM-200052.000.00	Flow meter control shaft	1
15	VM-OR0003.024.00	O-Ring - 6.02 x 2.62 NBR	1
16	VM-OR0003.037.00	O-Ring 111 - 9.19 x 2.62	1
17	VM-TBEI06.010.00	Bolt - TBEI M6 x 10 ISO	1
18	VM-100602.05X.00	Flow meter graduated plate (stainless) - LEFT	1
19	VM-200043.000.00	Needle	1
20	VM-100602.0DX.00	Flow meter graduated plate (stainless) - RIGHT	1

FLOW REGULATOR SUPPORT



Item#	Part#	Description	Qty
1	VM-000910.000.00	Y-Tube (curved) - Diam. 140 mm	1
2	VM-TEI006.025.TF	Bolt - TE M6 x 25 (stainless)	2
3	VM-D00006.000.OT	Nut - M6 (brass)	2
4	VM-RPI006.000.00	Washer - 6 (stainless)	14
5	VM-DAI006.000.00	Nut (self-locking) - M6 Stainless	6
6		Flow regulator - Lower nozzles ---> see parts list on Page 20	-
7	VM-000917.000.00	Support strap for upper dosage meters	1
8	VM-TEI006.020.TF	Bolt - TE M6 x 20 (stainless)	4



For Questions or Technical Assistance Contact:

MG Equipment Co.

PO Box 655
Vineburg, CA 95487
Tel: (707) 996-2605
Mobile: (510) 813-2046
mgequipment@gmail.com