



Specialized cabs for tractors

REPLACEMENT PARTS CATALOG



Landini-McCormick Rex-GE/GT Low Profile Cab


EQUIPMENT COMPANY
Specialized Equipment for Agriculture



SPECIAL CAB

Landini-McCormick Rex-GE/GT

Low Profile Cab Replacement Parts Catalog

MG Equipment Company specializes in unique tractor implements designed specifically for vineyards and orchards.

This catalog is designed to detail all the parts and components for SPECIAL CAB low profile cab designed specifically for the Landini-McCormick Rex-GE/GT.

To ensure a long life of reliable and trouble-free service for your implements, use only genuine SPECIAL CABS replacement parts.

It is our goal to meet or exceed the expectations of our customers and to offer unsurpassed service and parts support. We partner with each of our manufacturers to provide the best possible after-sales-support.

We thank you for your valued business. We remain at your complete disposal for any information you require regarding any of our products.

For Replacement Parts Sales and Information contact:

MG Equipment Co.

PO Box 655 Vineburg, CA 95487
mgequipment@gmail.com

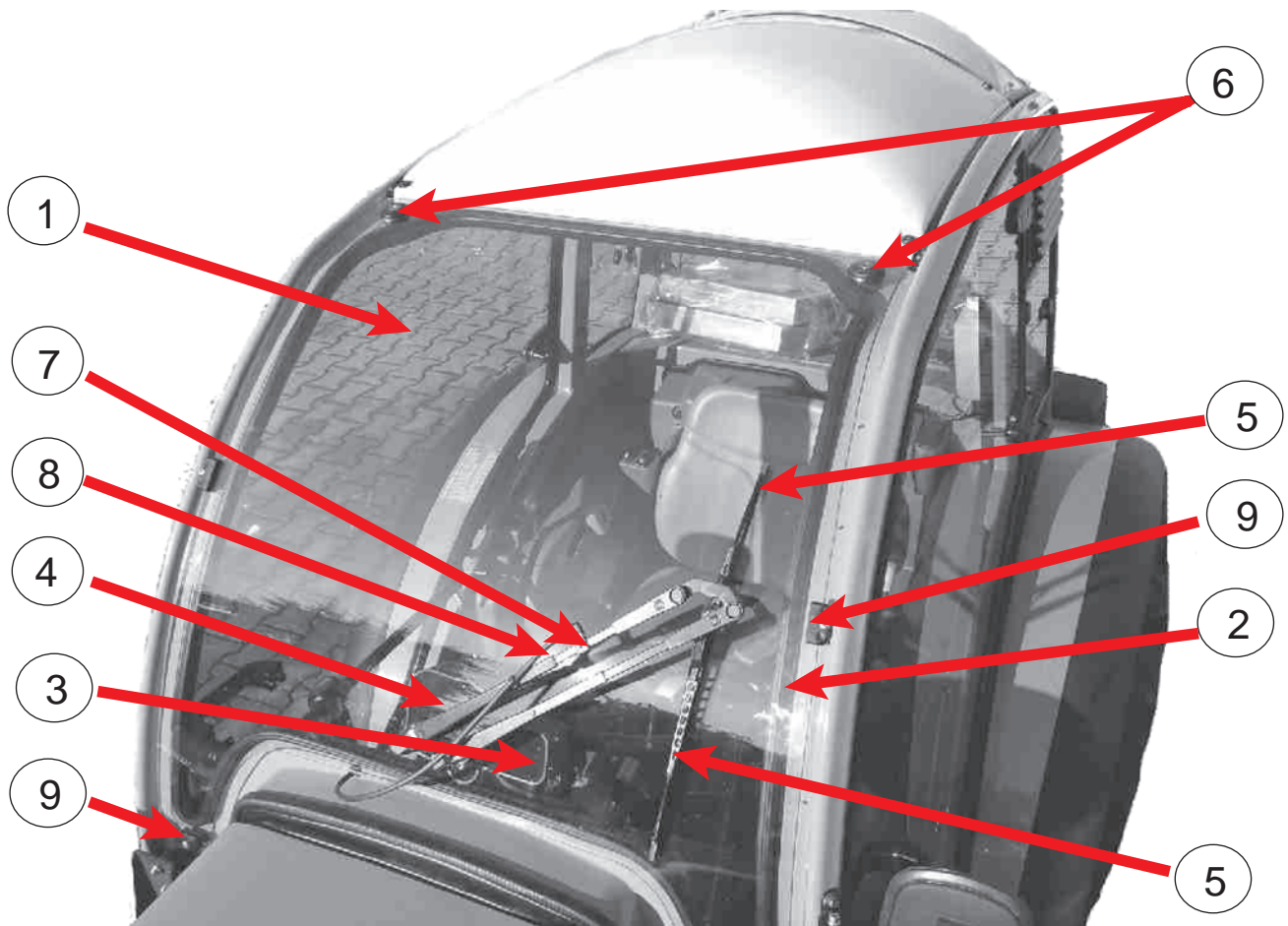
Tel: (707) 996-2605

Fax: (707) 996-3405

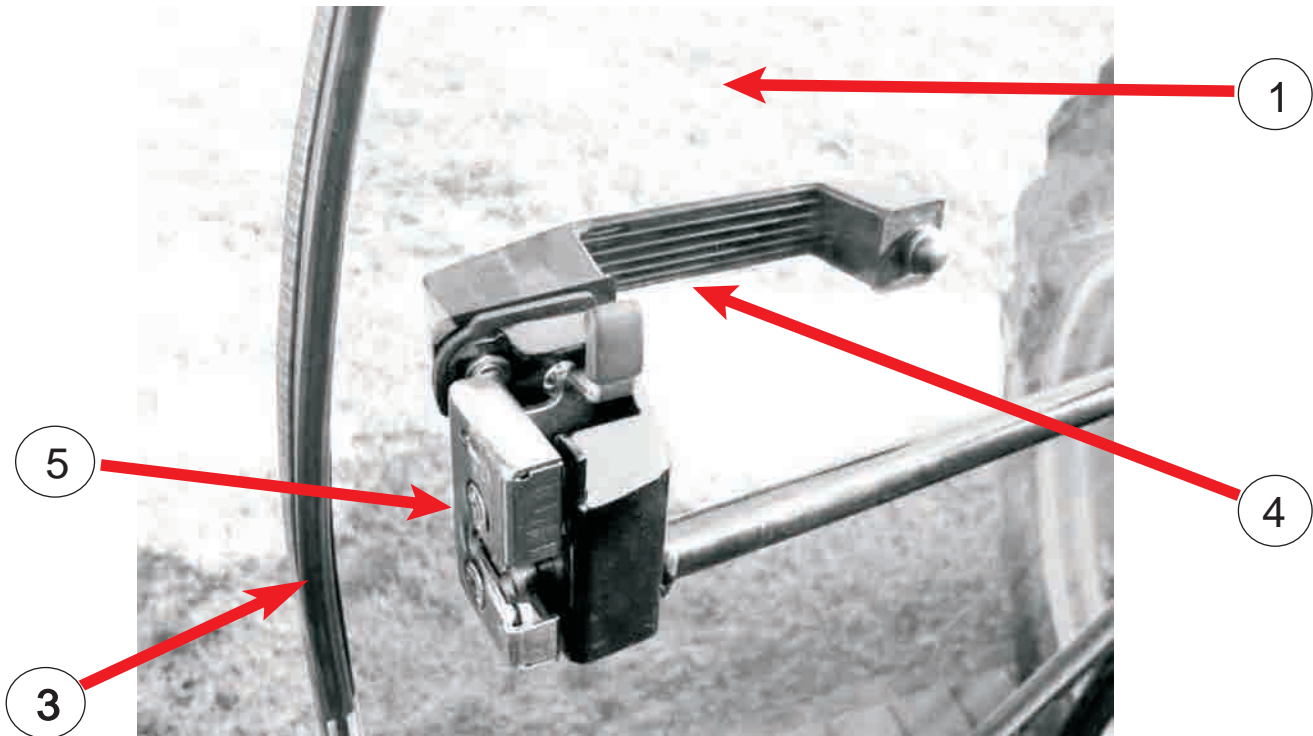
Mobile: (510) 813-2046

CURVED FRONT GLASS

Item#	Part#	Description	Qty
1	SC-C10472	Curved front glass II°series	1
2	SC-P10211	Gasket / seal (glue-on) - L= 400 cm	1
		(when ordering this seal, please indicate length needed)	
3	SC-M12294	Wiper motor ITG50 - 12V (110°)	1
4	SC-M11485	Wiper arm (panographic) - L=350/420	1
5	SC-M10094	Wiper blade - Lg. 410 (16")	1
6	SC-M10174K	Bolt + washers + grommets to secure glass	2
7	SC-M12441	Wiper spray nozzle	1
8	SC-M12442	Sprayer hose - 57cm	1
9	SC-M10065K	L-bracket + screw + cap nut	2



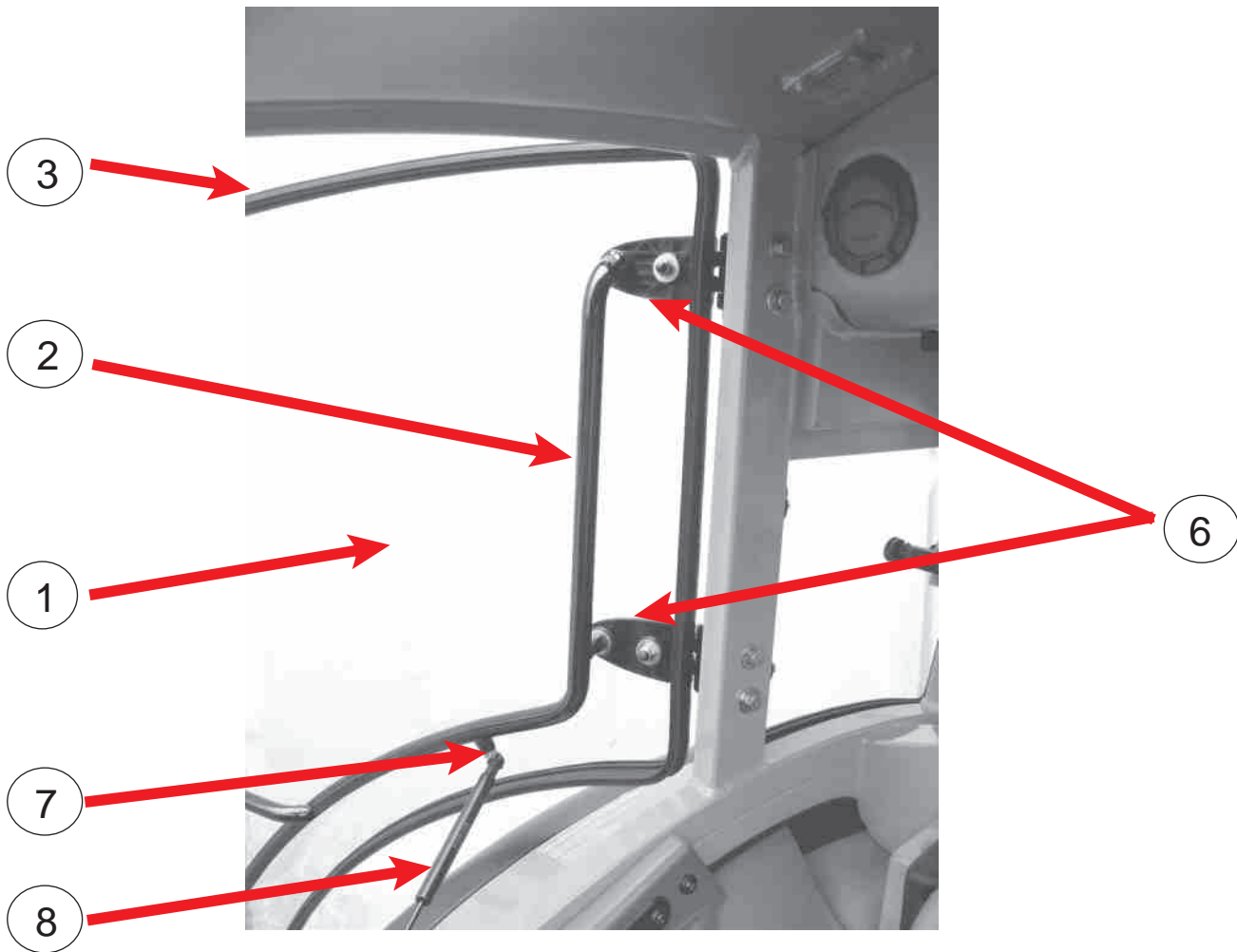
RIGHT DOOR



Item#	Part#	Description	Qty
1	SC-C10404	R/L door glass - 6mm - Landini	1
3	SC-P10175	Gasket / seal (U-clamp) - L = 420cm	1
		(when ordering this seal, please indicate length needed)	
4	SC-M12747K	R/L exterior door handle	1
5	SC-M10695	Door latch assembly - RH	1
	SC-M10694	Door latch assembly - LH	1

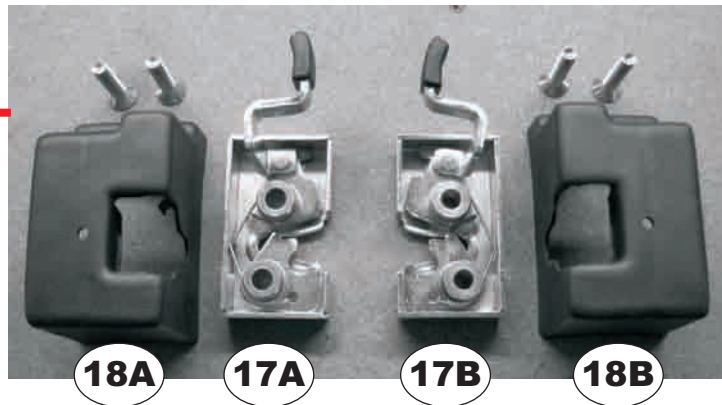
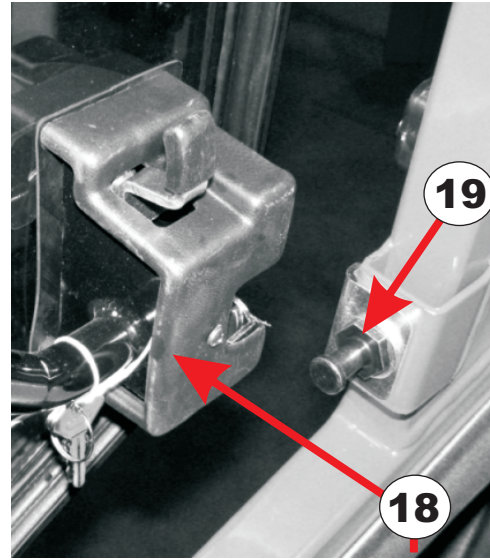
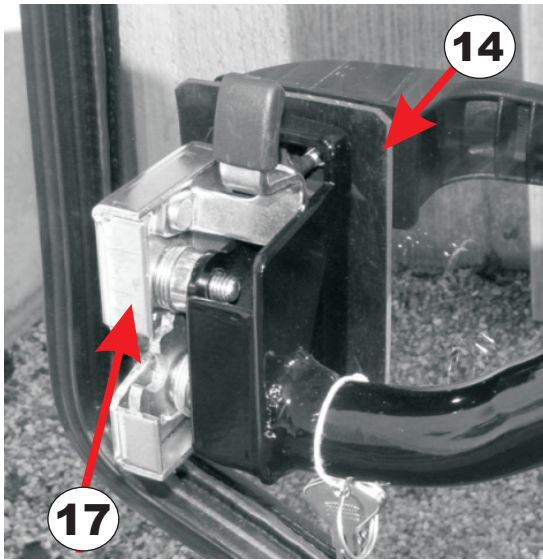
R/L DOORS

Item#	Part#	Description	Qty
1	SC-C10404	R/L door glass - 6mm - Landini	1
2	SC-S10655	Right handle**	1
	SC-S10656	Left handle**	1
3	SC-P10175	Gasket / seal (U-Clamp) - L = 420 cm	1
(when ordering this seal, please indicate length needed)			
6	SC-I10910	Door hinge kit (R/L)	2
7	SC-M10946	Spherical joint for gas cylinder	2
8	SC-M10764	Door opening piston - L=330 (13")	1



****Note: RIGHT and LEFT are determined by the operator sitting in the tractor driver's seat**

DOORS ACCESSORIES

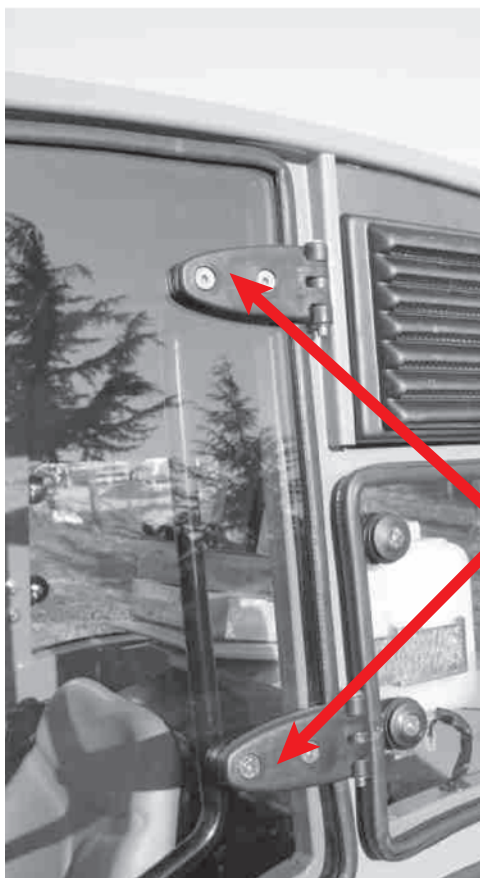


Item#	Part#	Description
14	SC-M13216	Gasket for door lock assembly
15	SC-M12747K	Door handle assembly (exterior)
17A	SC-M10694	Door latch assembly - SX
17B	SC-M10695	Door latch assembly - DX

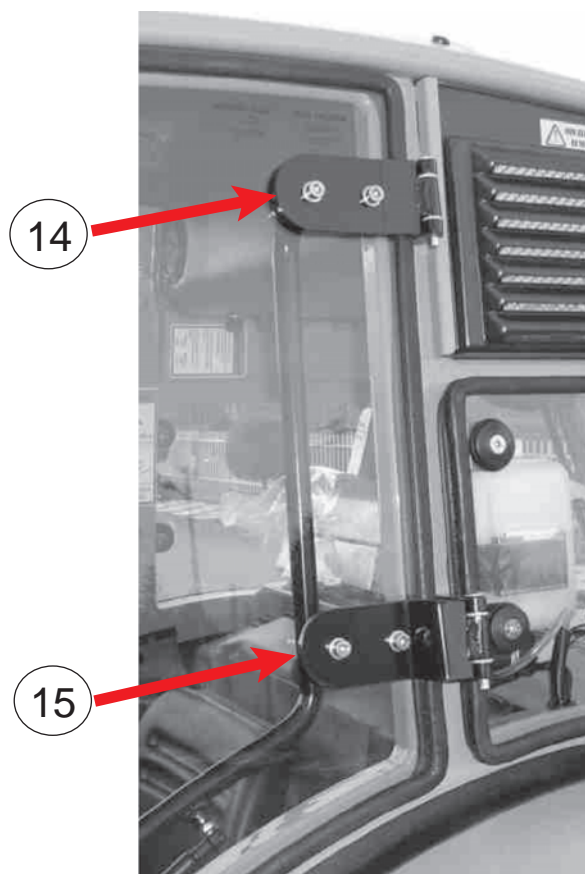
Item#	Part#	Description
18A	SC-M12805	Cover for lock assembly ABS - SX
18B	SC-M12804	Cover for lock assembly ABS - DX
19	SC-I11692	Door locking catch (threaded stud)

R/L DOORS

Item#	Part#	Description	Qty
6	SC-I10910	Door hinge kit (R/L)	2
14	SC-I11666	Right-hand upper hinge metal door	1
14	SC-I11667	Left-hand upper hinge metal door	1
15	SC-I11668	Right-hand lower hinge metal door	1
15	SC-I11669	Left-hand lower hinge metal door	1



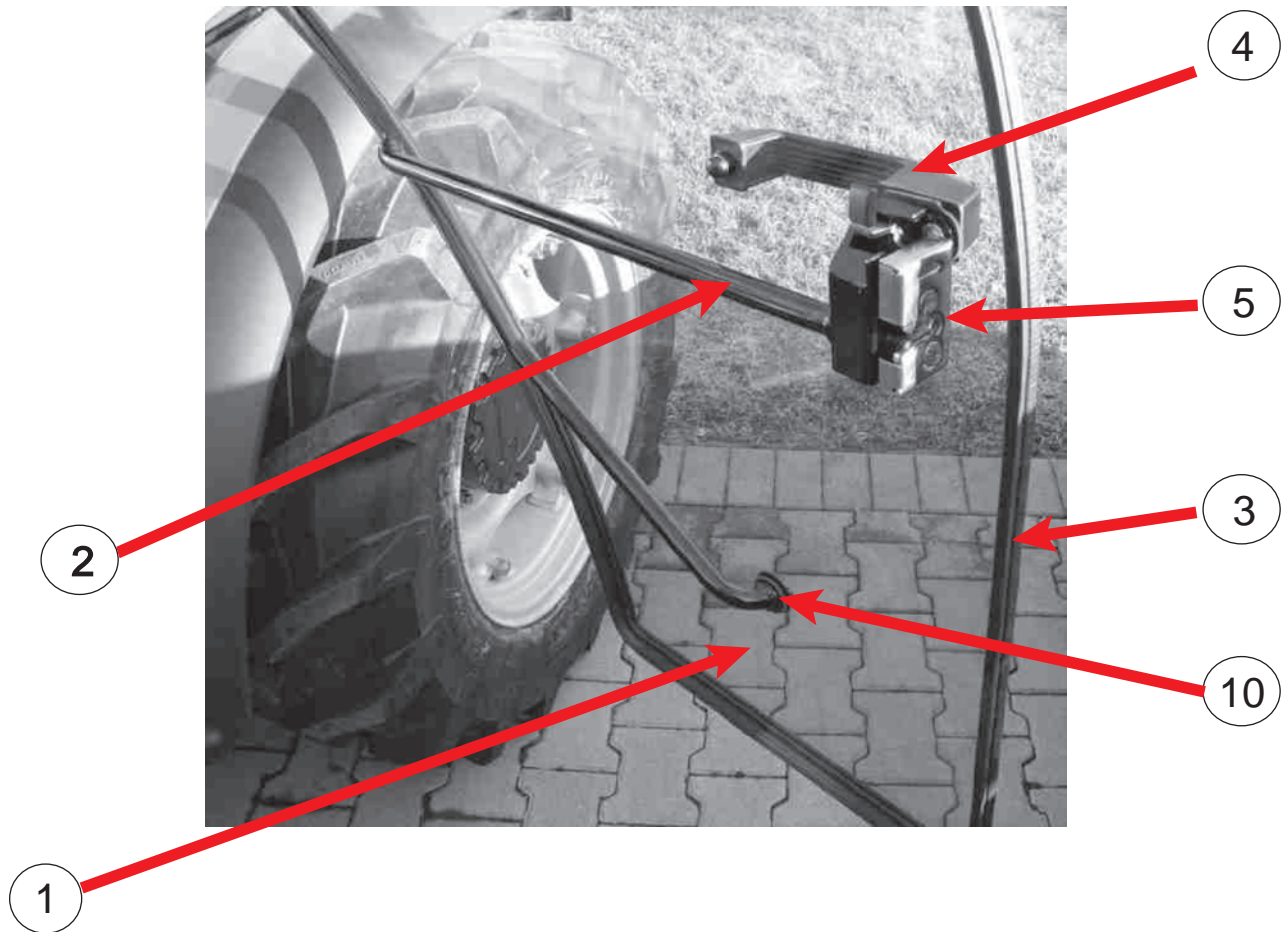
Only Rex-GE version



Only Rex-GT version

****Note: RIGHT and LEFT are determined by the operator sitting in the tractor driver's seat**

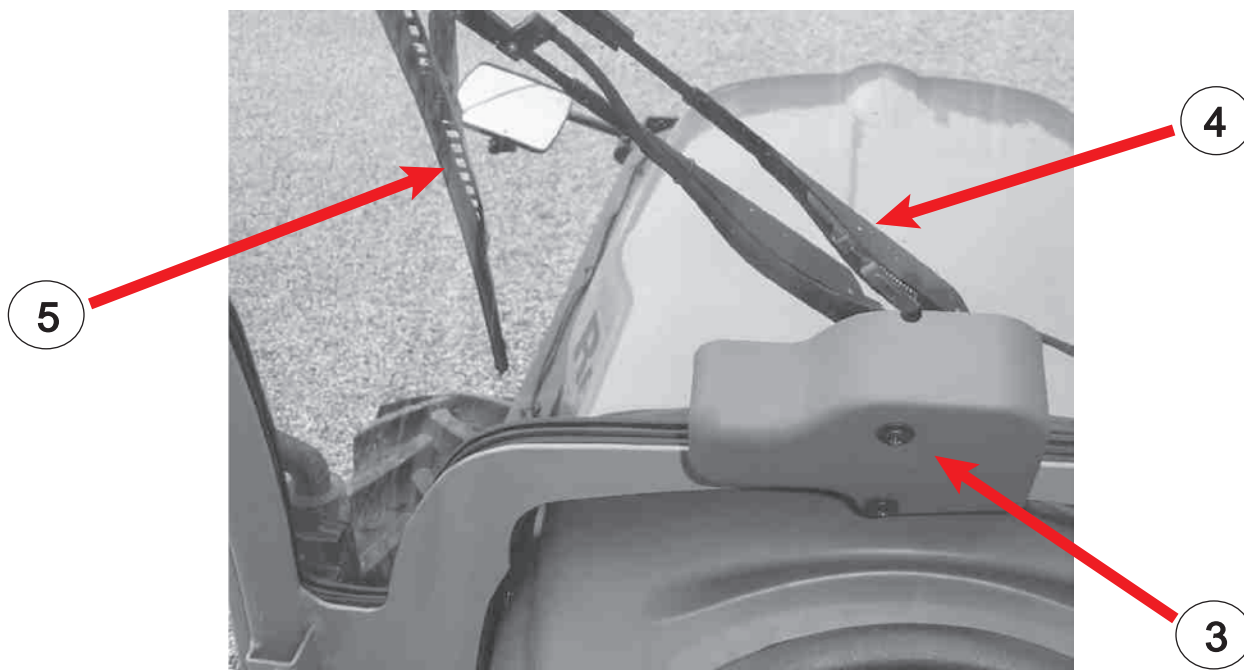
R/L DOORS



Item#	Part#	Description	Qty
1	SC-C10404	R/L door glass	1
2	SC-S10655	Right handle**	1
	SC-S10656	Left handle**	1
3	SC-P10175	Gasket / seal (U-Clamp) - L = 420 cm	1
		(when ordering this seal, please indicate length needed)	
4	SC-M12747K	Exterior R/L door handle	1
5	(see page 4)	Door locking latch	1
10	SC-M10174K	Bolt + washers + grommets to secure glass	1

****Note: RIGHT and LEFT are determined by the operator sitting in the tractor driver's seat**

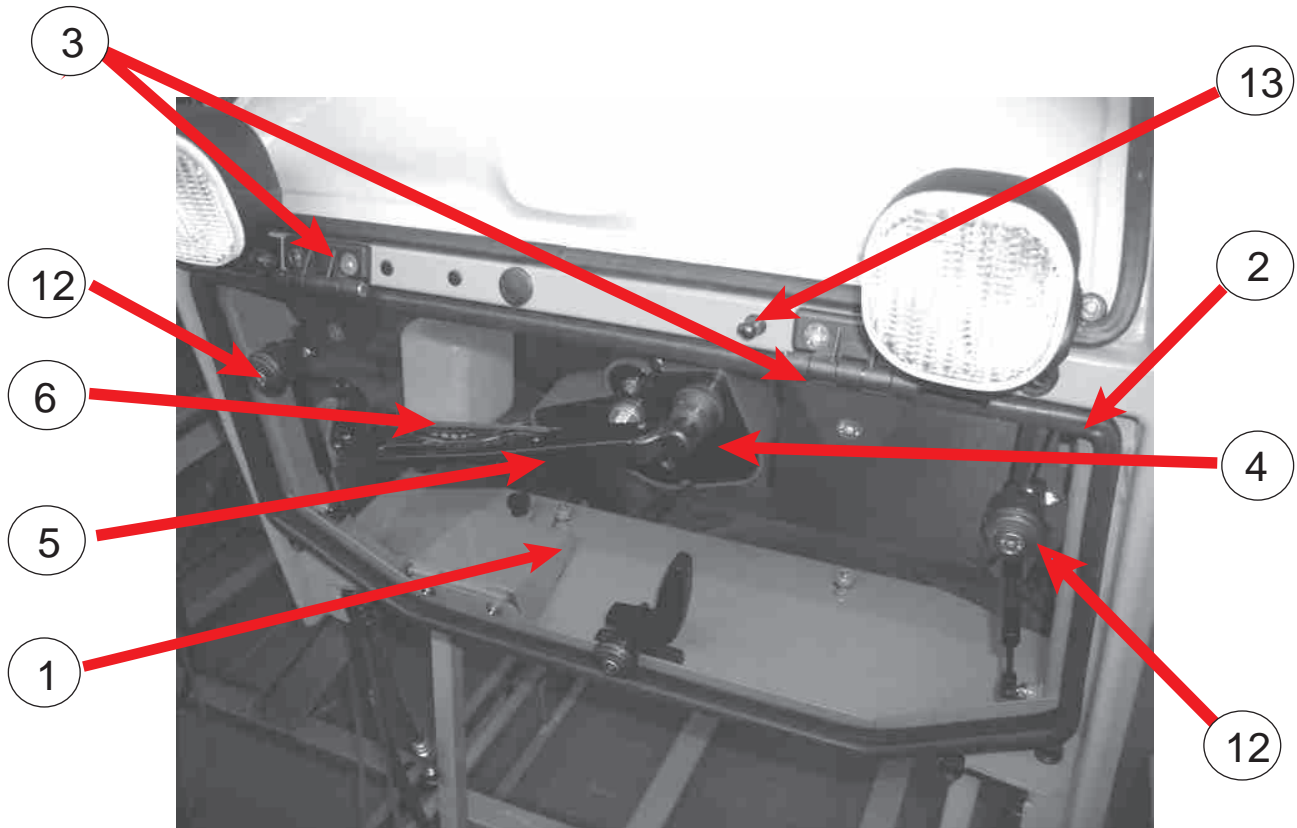
FRONT GLASS WIPER



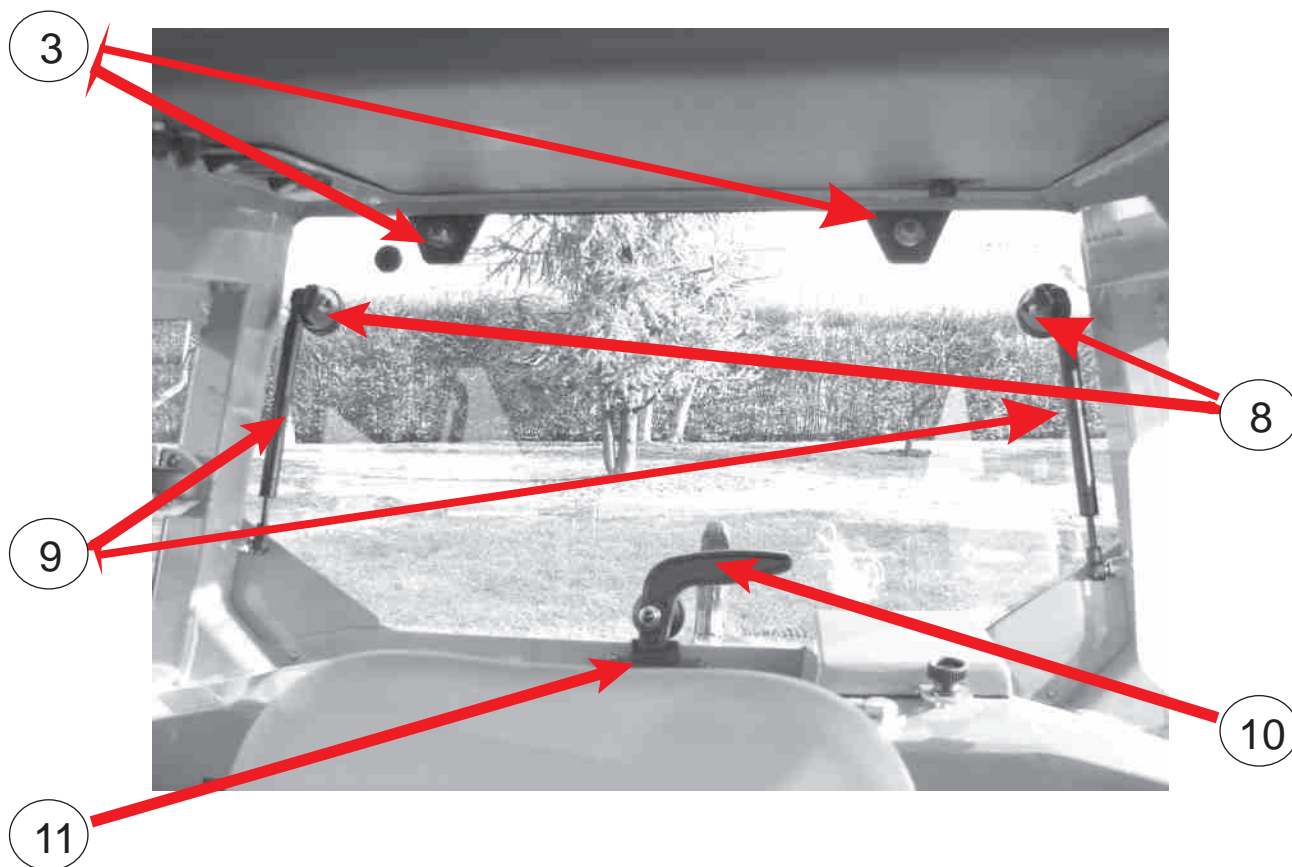
Item#	Part#	Description	Qty
3	SC-M12294	Wiper motor ITG50 - 12V (110°)	1
4	SC-M11485	Wiper arm (panographic) - L=350/420	1
5	SC-M10094	Wiper blade - Lg. 410 (16")	1

REAR GLASS WINDOW

Item#	Part#	Description	Qty
1	SC-C10413	Glass - rear window	1
2	SC-P10175	Gasket / seal (U-Clamp) - L = 230 cm	1
		(when ordering this seal, please indicate length needed)	
3	SC-M10078K	Nylon hinge - rear window	2
4	SC-M12294	Wiper motor ITG50 - 12V (110)	1
5	SC-M10105	Wiper arm assembly - L=245/325	1
6	SC-M12230	Wiper blade - L=260 (10")	1
12	SC-M10020K	Gas spring mounting support kit	3
13	SC-M10085	Wiper spray nozzle	1



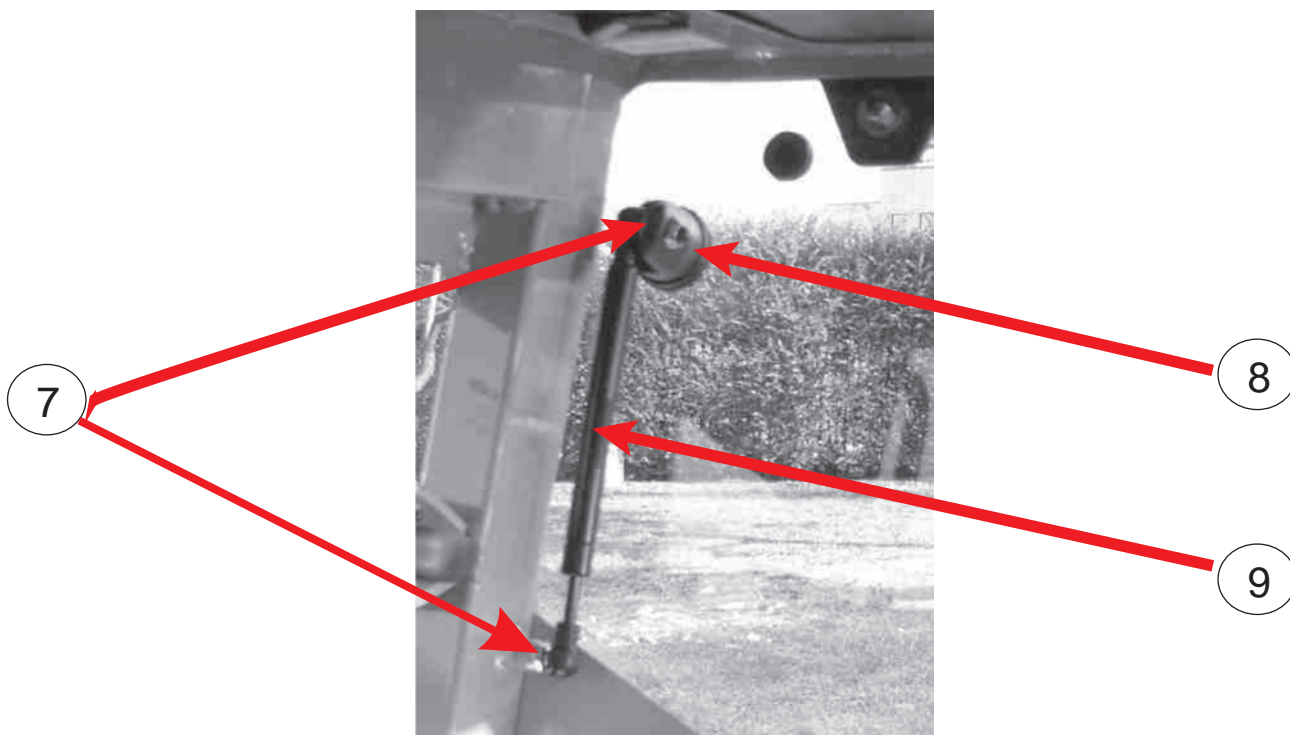
REAR GLASS WINDOW



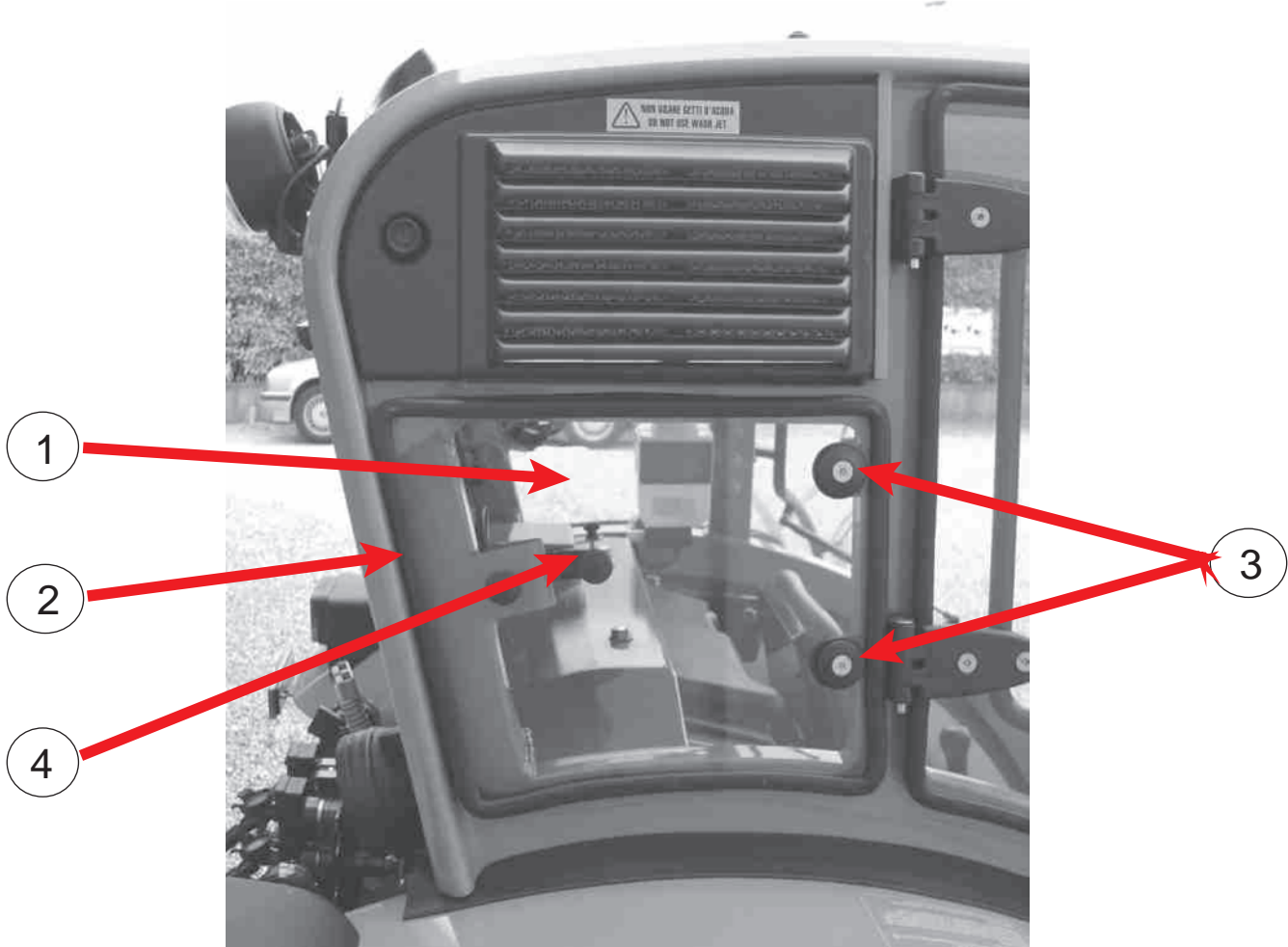
Item#	Part#	Description	Qty
3	SC-M10078K	Nylon hinge - rear window	2
8	SC-M10020K	Gas spring mounting support kit	2
9	SC-M11834	Rear window piston - L=290 (11.5")	2
10	SC-M11851K	Handle - inside rear window	1
11	SC-M10031	Rear window latch plate	1

REAR GLASS WINDOW

Item#	Part#	Description	Qty
7	SC-M10946	Spherical joint for gas cylinder	4
8	SC-M10020K	Gas spring mounting support	2
9	SC-M11834	Rear window piston - L=290 (11.5")	2

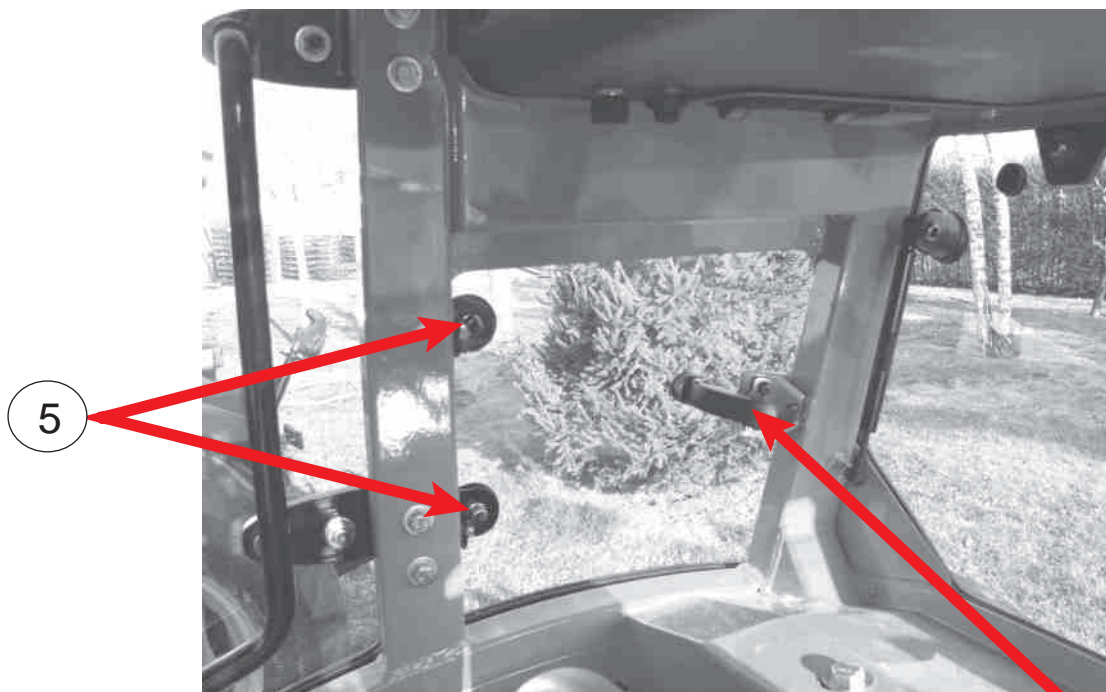


R/L DEFLECTORS

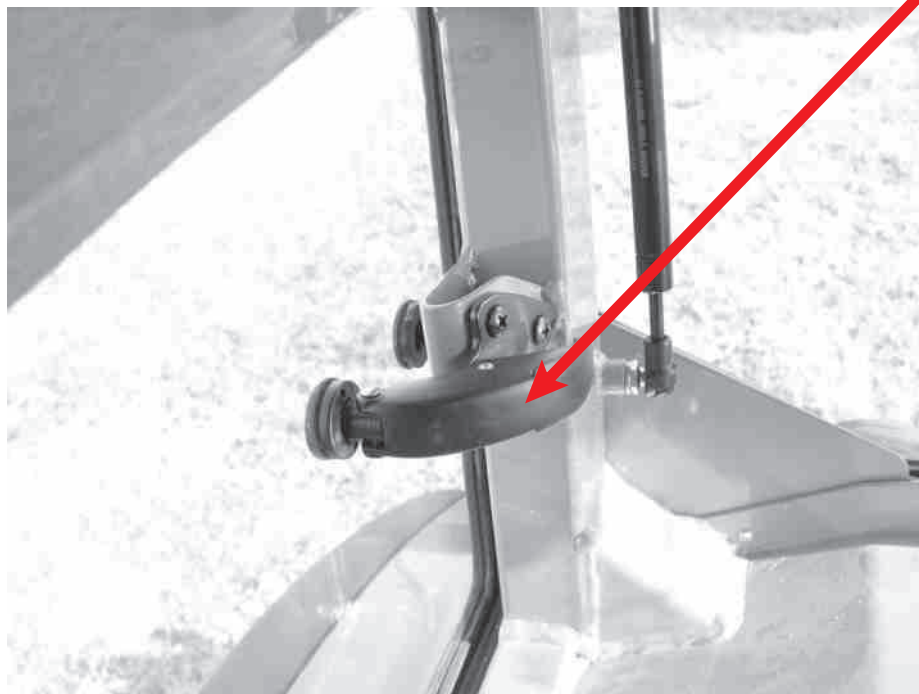


Item#	Part#	Description	Qty
1	SC-C10407	R/L side deflectors pane	1
2	SC-P10175	Gasket / seal (U-Clamp) - L = 130 cm	1
		(when ordering this seal, please indicate length needed)	
3	SC-M10174K	Bolt + washers + grommets to secure glass	2
4	SC-V10613	Latch kit for side deflector windows	1

R/L DEFLECTORS

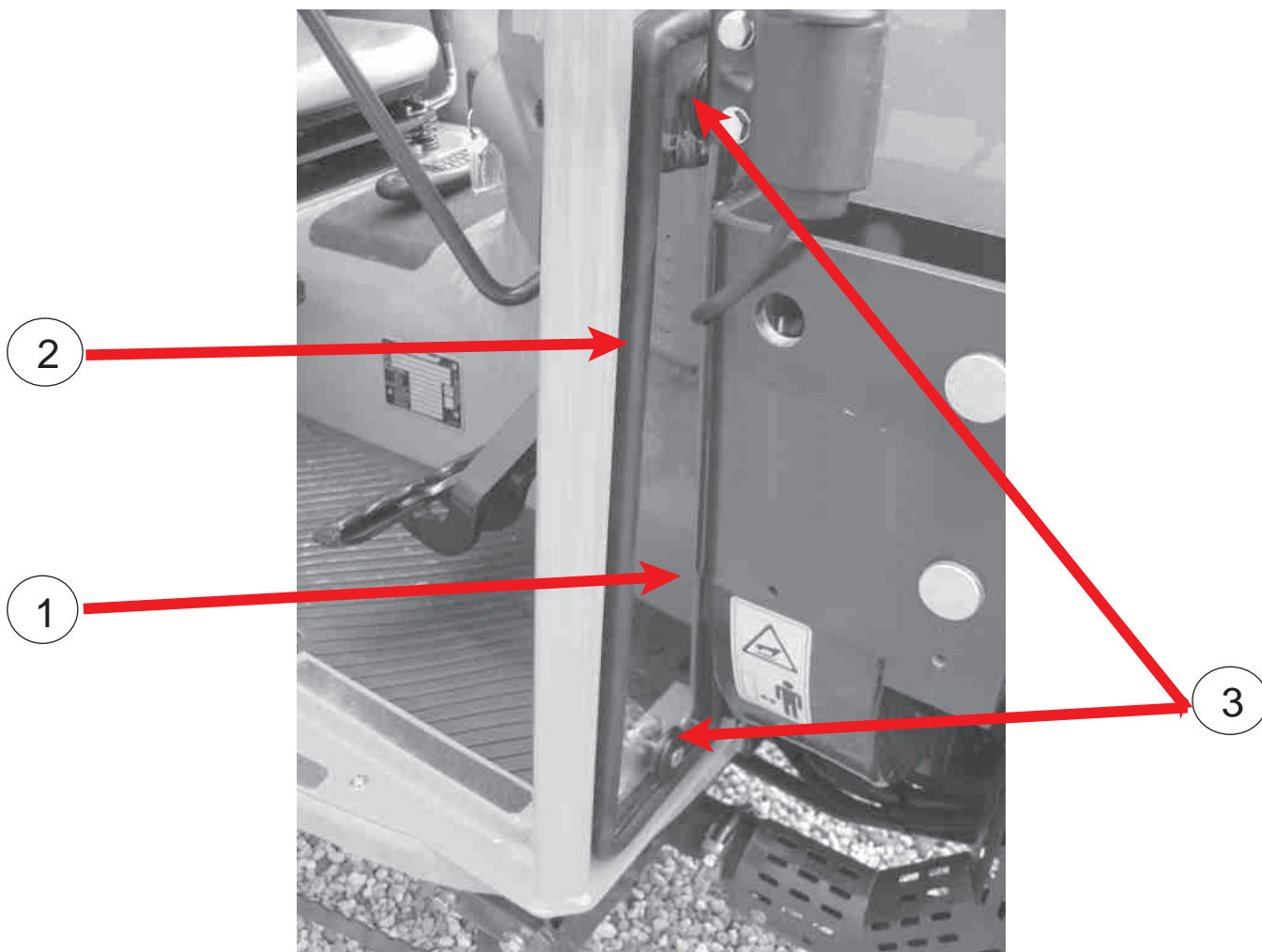


Item#	Part#	Description	Qty
4	SC-V10613	Latch kit for side deflector windows	1
5	SC-R13152	Angle bracket to hold glass pane	2



LOWER FIXED FRONT GLASS

Item#	Part#	Description	Qty
1	SC-C10409	R/L front fixed glass	1
2	SC-P10175	Gasket / Seal (U-Clamp) - L = 152 cm (when ordering this seal, please indicate length needed)	1
3	SC-M10174K	Bolt + washers + grommets to secure glass	2



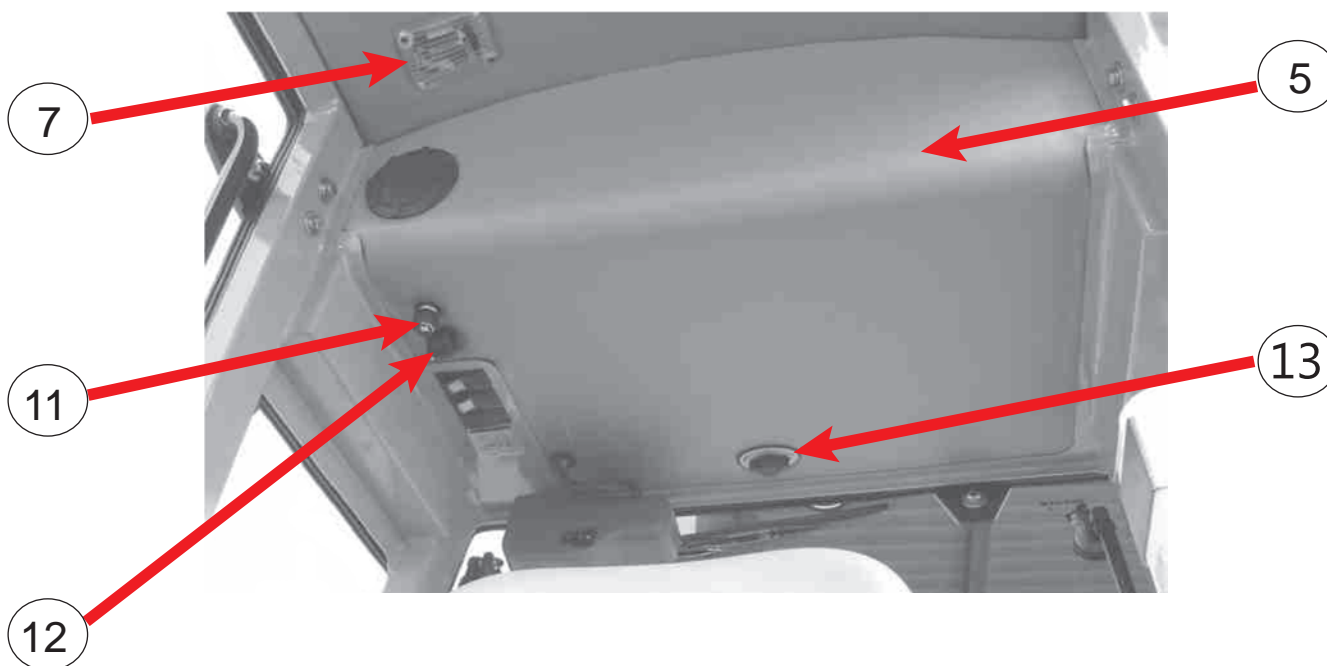
FRONT ROOF PANELS



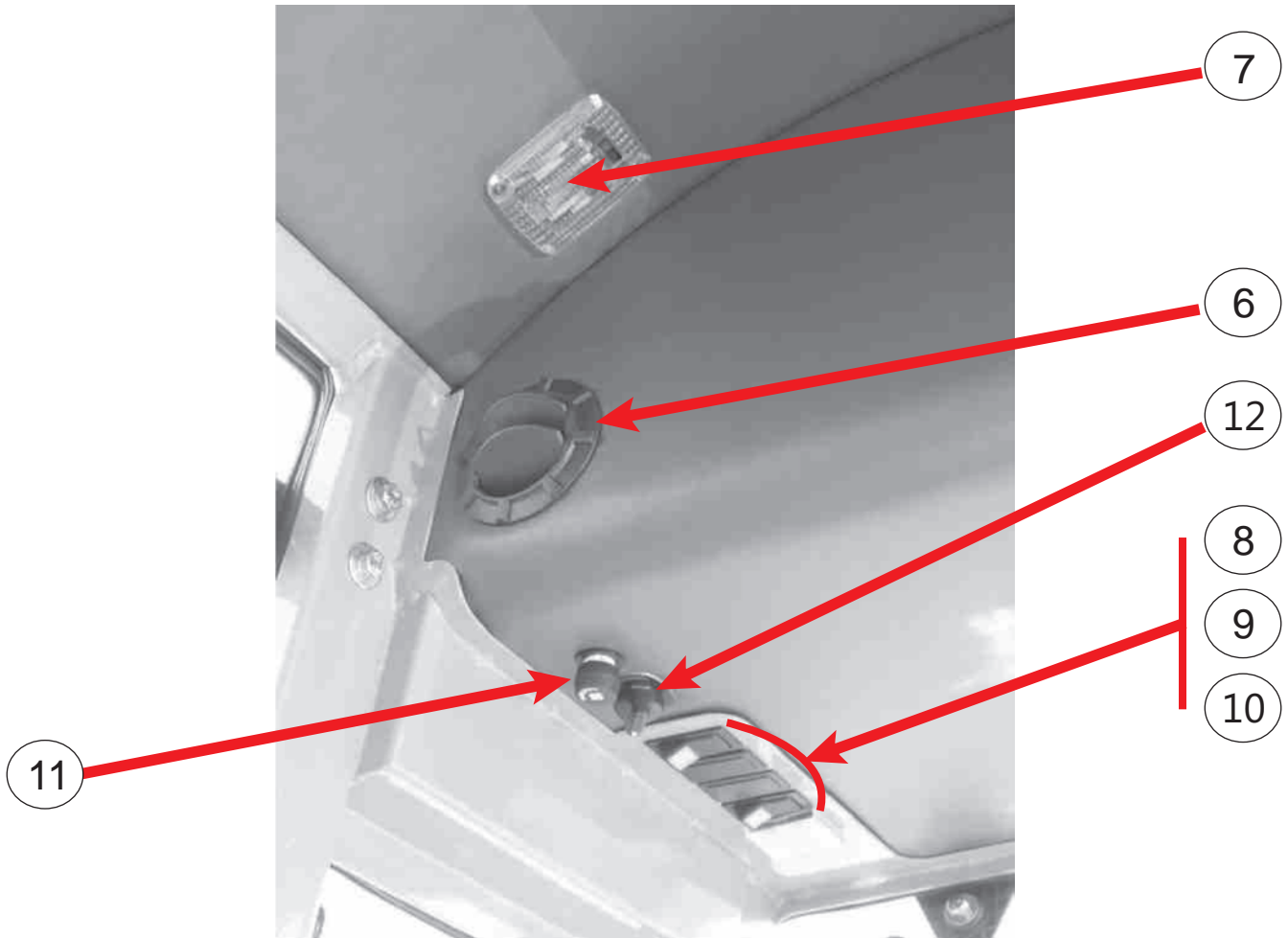
Item#	Part#	Description	Qty
1	SC-M12495	Vineyard roof panel	1
3	SC-M12497	Orchard roof panel	1

INTERIOR ROOF COMPONENTS

Item#	Part#	Description	Qty
5	SC-M12378	Interior roof panel material	1
7	SC-M10038	Inside light - 12V	1
11	(see Page 17)	Switch - fan control - 3-speed	1
12	SC-I11587	Thermostat A/C + cable	1
13	SC-M10035	Hot water control valve / knob	1

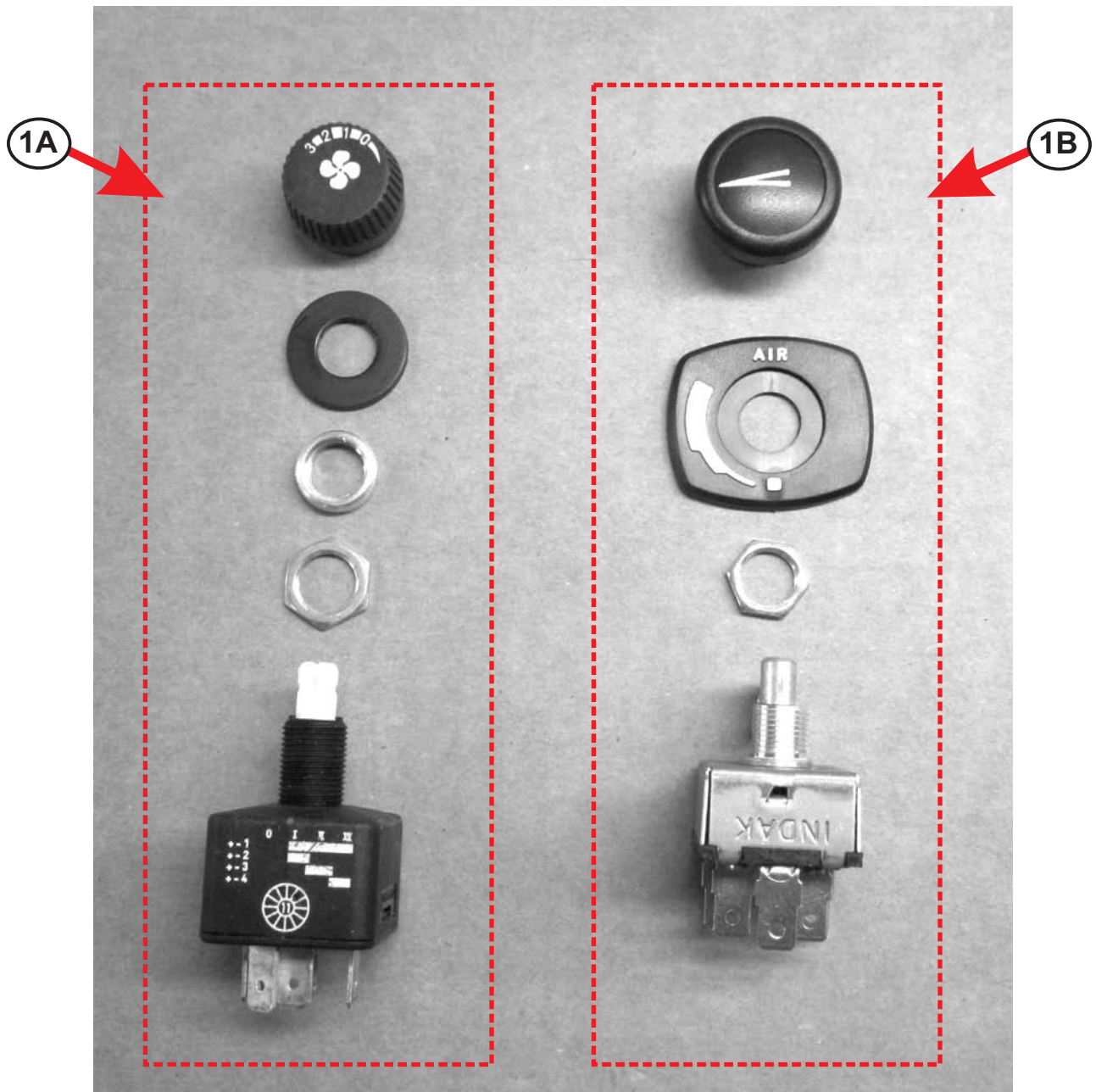


INTERIOR ROOF COMPONENTS



Item#	Part#	Description	Qty
6	SC-10236	Air vent deflector (round)	3
7	SC-M10038	Interior light fixture	1
8	SC-M10715	Toggle switch - rear working lights	1
9	SC-M10717	Toggle switch - wipers / sprayer	1
10	SC-M10056	Rotating light switch	1
11	(see Page 17)	Switch - fan control - 3-speed	1
12	SC-111587	Thermostat A/C + cable	1

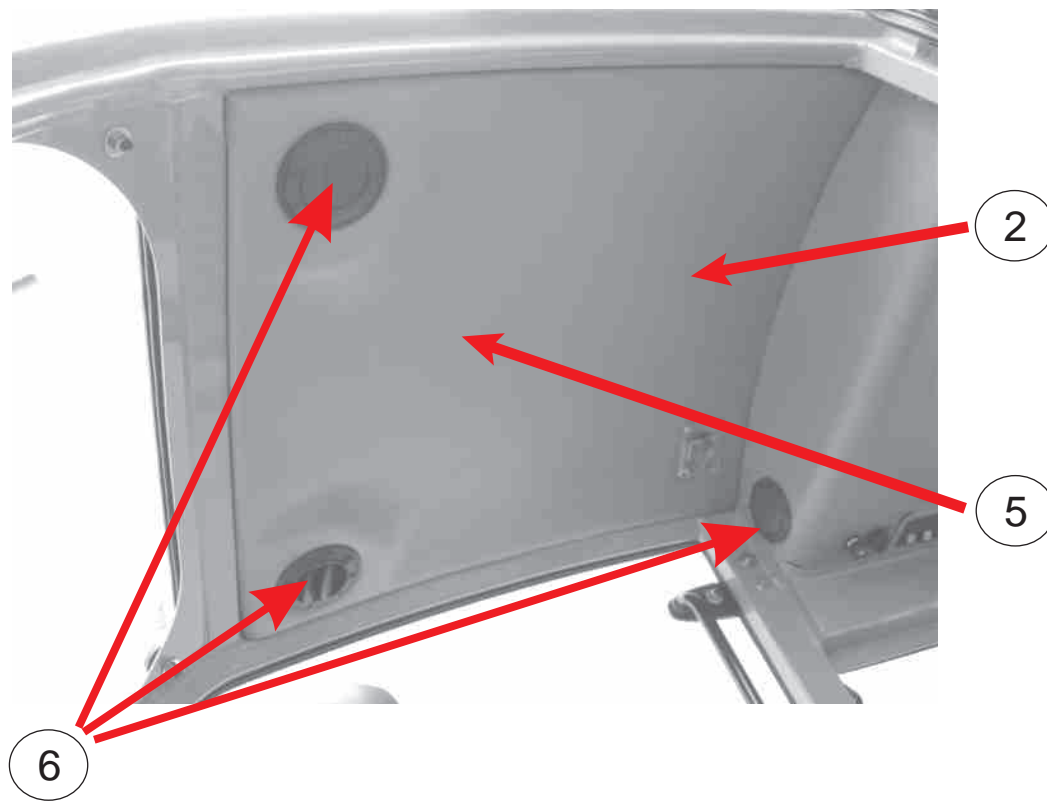
A/C FAN SWITCHES



Item#	Part#	Description
1A	SC-M10378	Fan blower switch (slanted terminal blades)
1B	SC-M12758	Fan blower switch (straight terminal blades)

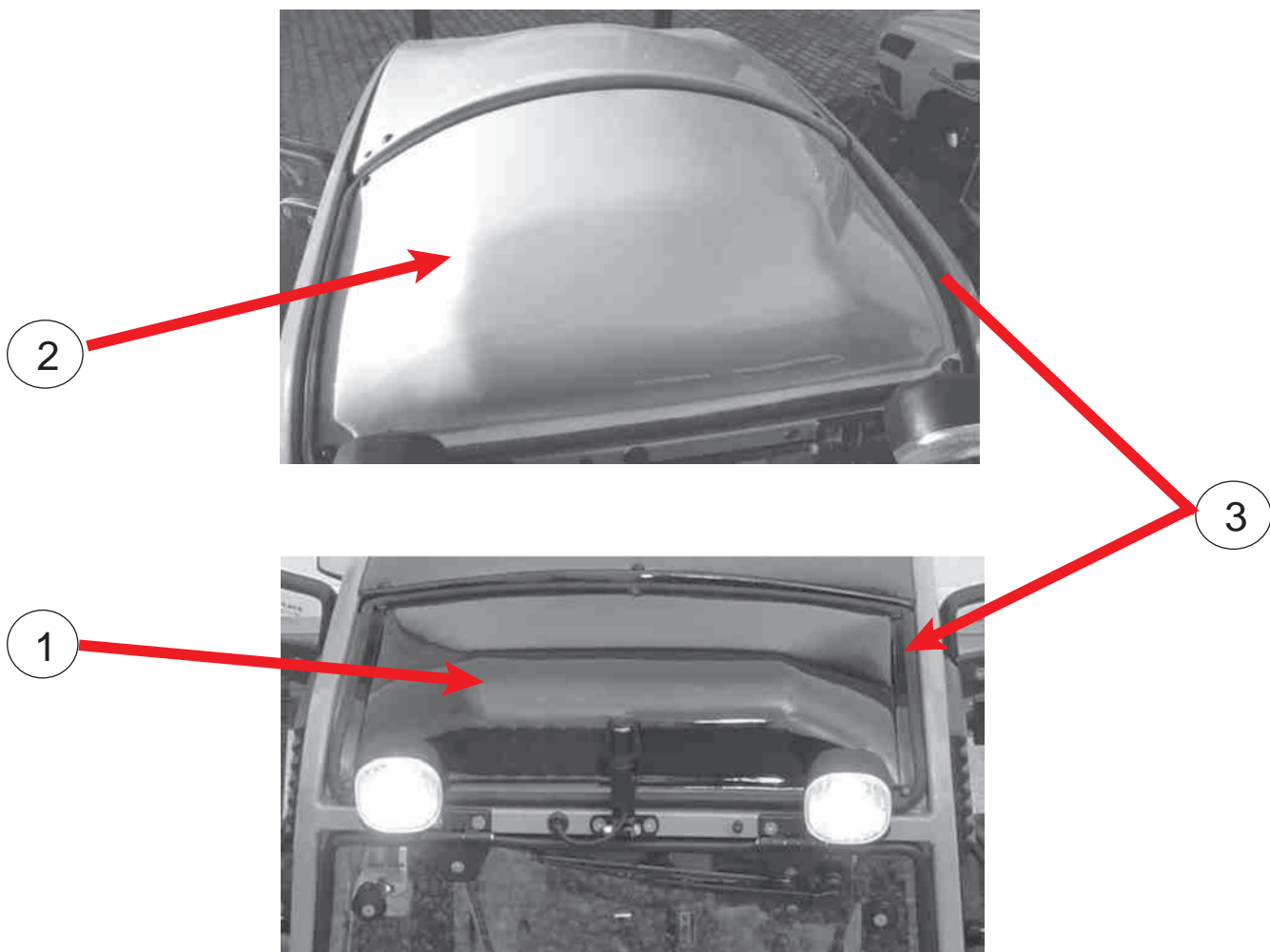
INTERIOR ROOF PANEL

Item#	Part#	Description	Qty
2	SC-M12499	Interior roof panel (vineyard) - LP	1
5	SC-M12378	Interior roof panel material	1
6	SC-I10236	Air vent deflector (round)	3



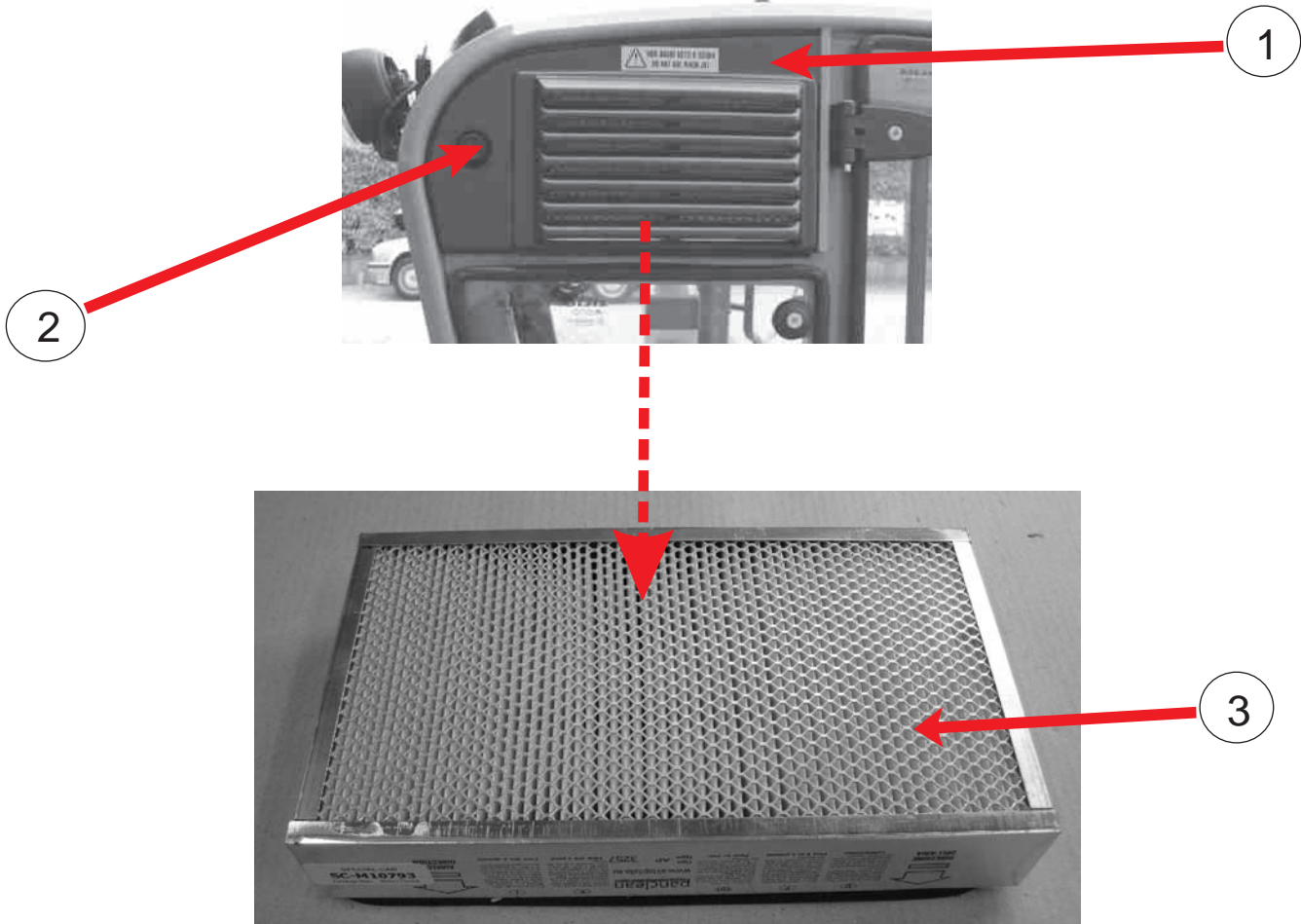
REAR ROOF PANELS

Item#	Part#	Description	Qty
1	SC-M12496	ABS rear vineyard roof	1
2	SC-M12498	ABS rear orchard roof	1
3	SC-M12373	Gasket - rear roof plate - 220cm	1



** the roof color is grey*

RIGHT & LEFT GRILLES / AIR FILTERS

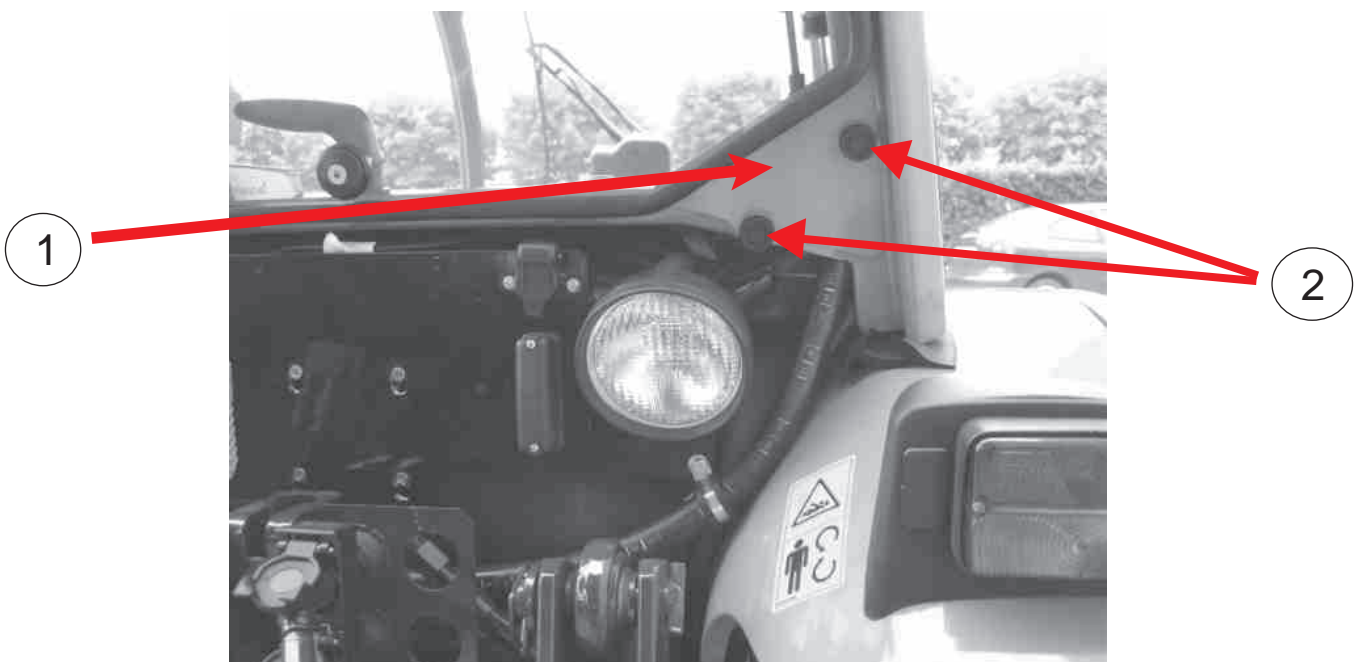
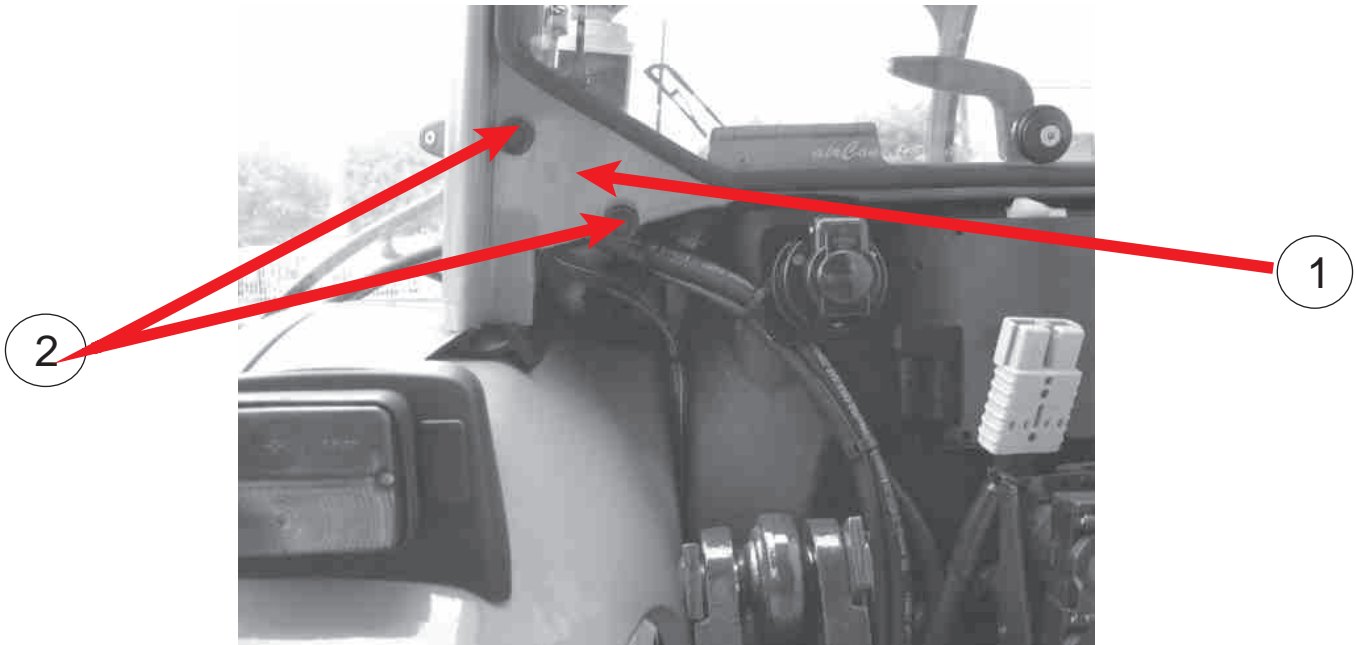


Item#	Part#	Description	Qty
1	SC-M12077	Filter grille in ABS (Right)**	1
	SC-M12078	Filter grille in ABS (Left)**	1
2	SC-M11066	Thumb screw - M6x10mm	1
3	SC-M10793	Air filter (paper) cartridge	2
	SC-M10864	Air filter (activated carbon) cartridge	2

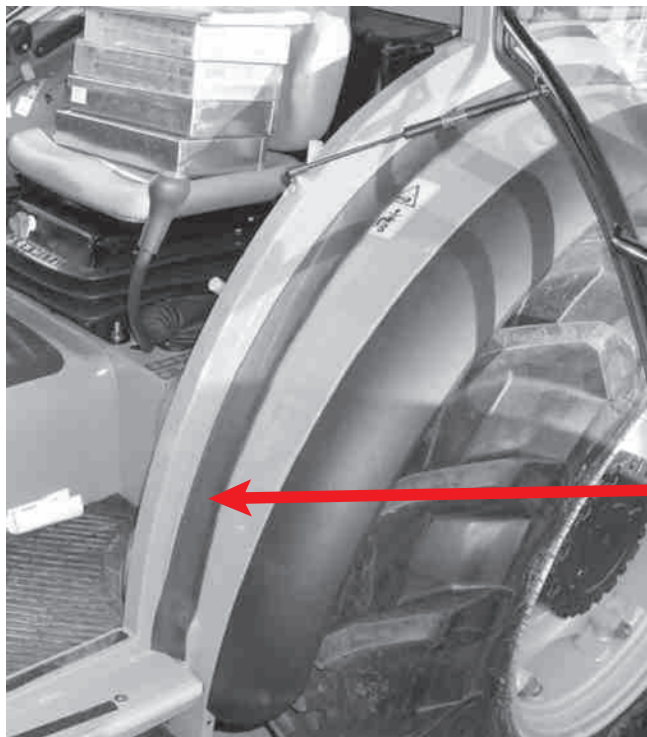
***Note: RIGHT and LEFT are determined by the operator sitting in the tractor driver's seat*

REAR CLOSURES

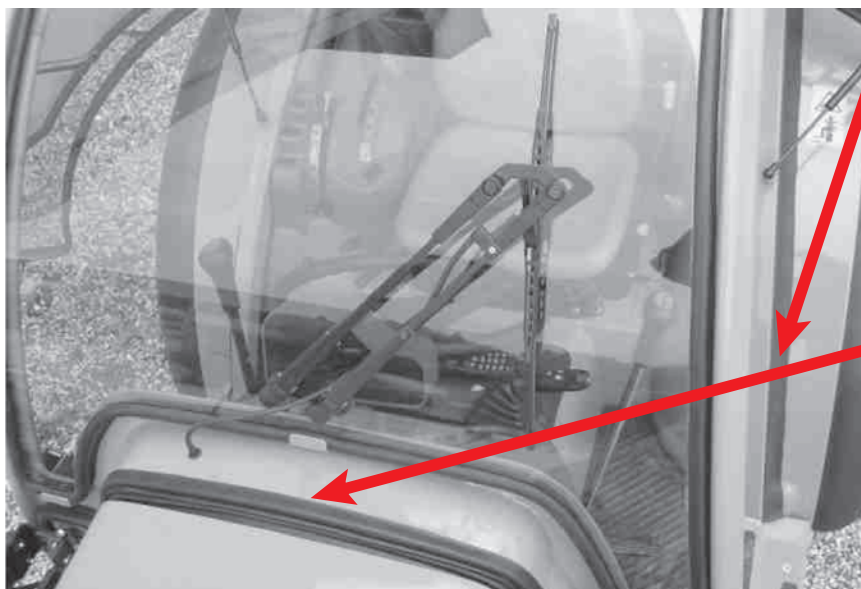
Item#	Part#	Description	Qty
1	SC-R13527	R/L triangular plate (Rex-GE)	2
	SC-R14093	R/L triangular plate (Rex-GT)	2
2	SC-M11124	Thumb screw - M6x30mm	4



GASKETS /SEALS



1

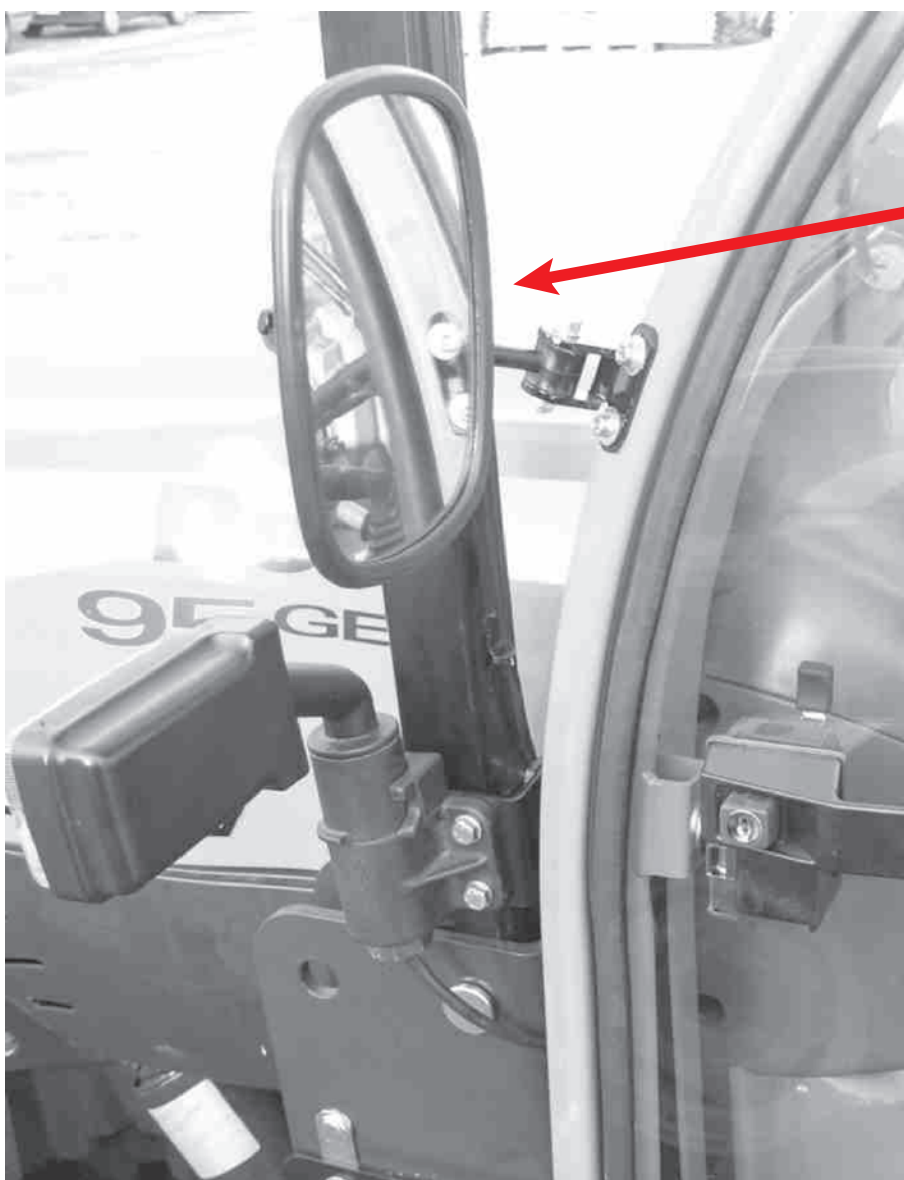


2

Item#	Part#	Description	Qty
1	SC-M12376	Gasket - fenders - 130cm	2
2	SC-M12377	Gasket - front hood - 195cm	1

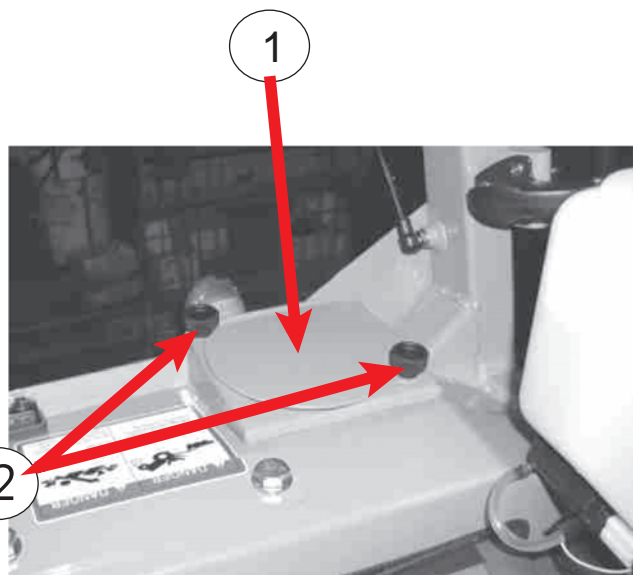
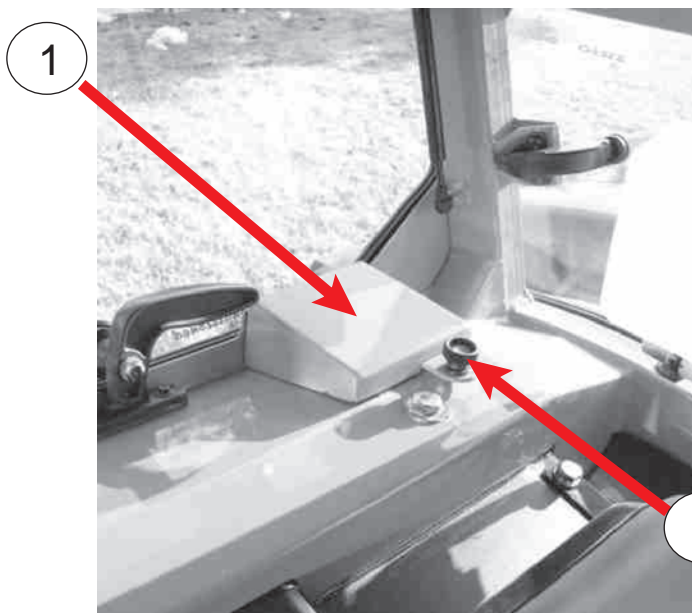
MIRRORS

Item#	Part#	Description	Qty
1	SC-11357	Left rear mirror	1
	SC-11354	Right rear mirror	1

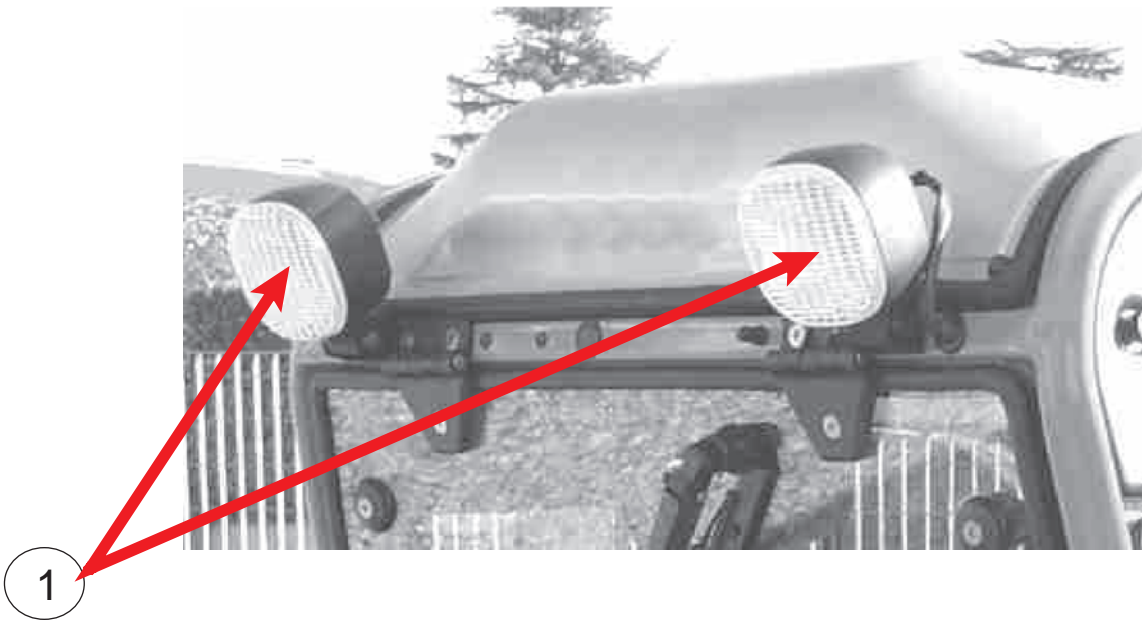


INTERIOR COVER PLATES

Item#	Part#	Description	Qty
1	(specify model)	Cover plate (specify tractor/cab model)	1
2	SC-M12433	Thmb screw - M6x10	2

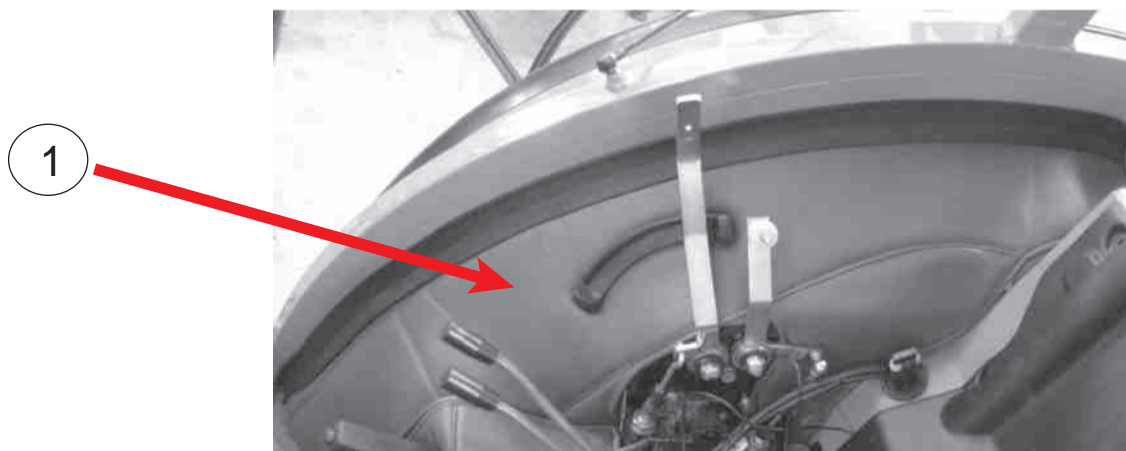
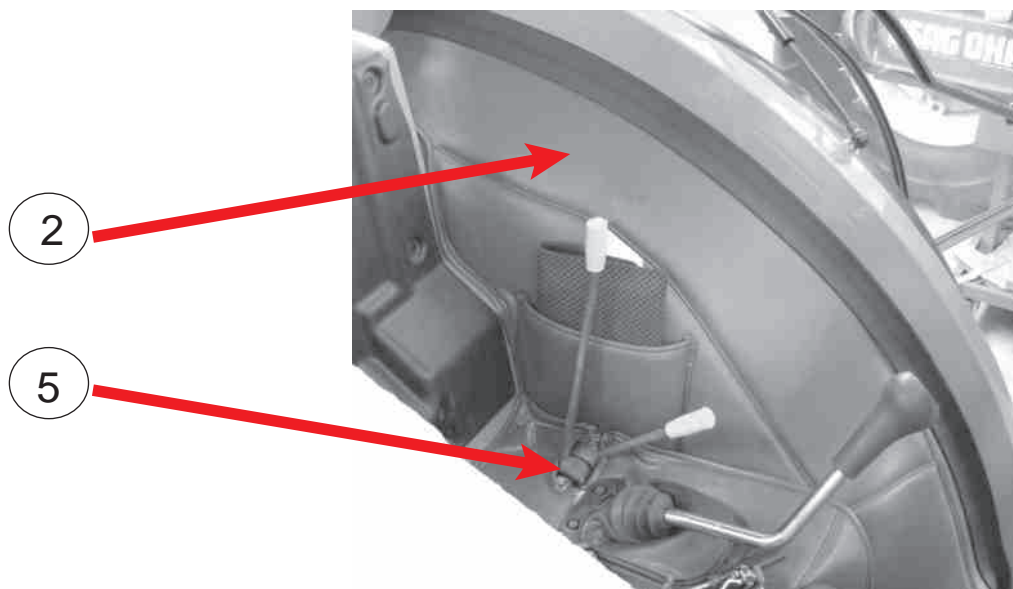


REAR LIGHTS



Item#	Part#	Description	Qty
1	SC-M11428	Rear light fixture - 12V	2

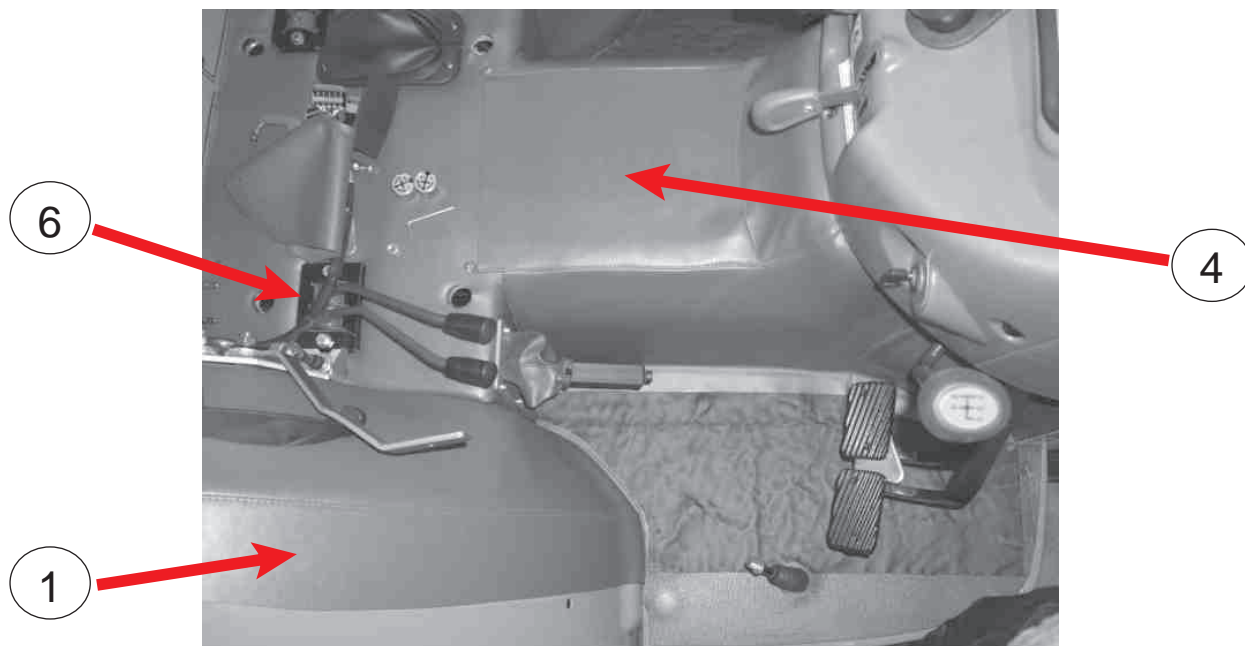
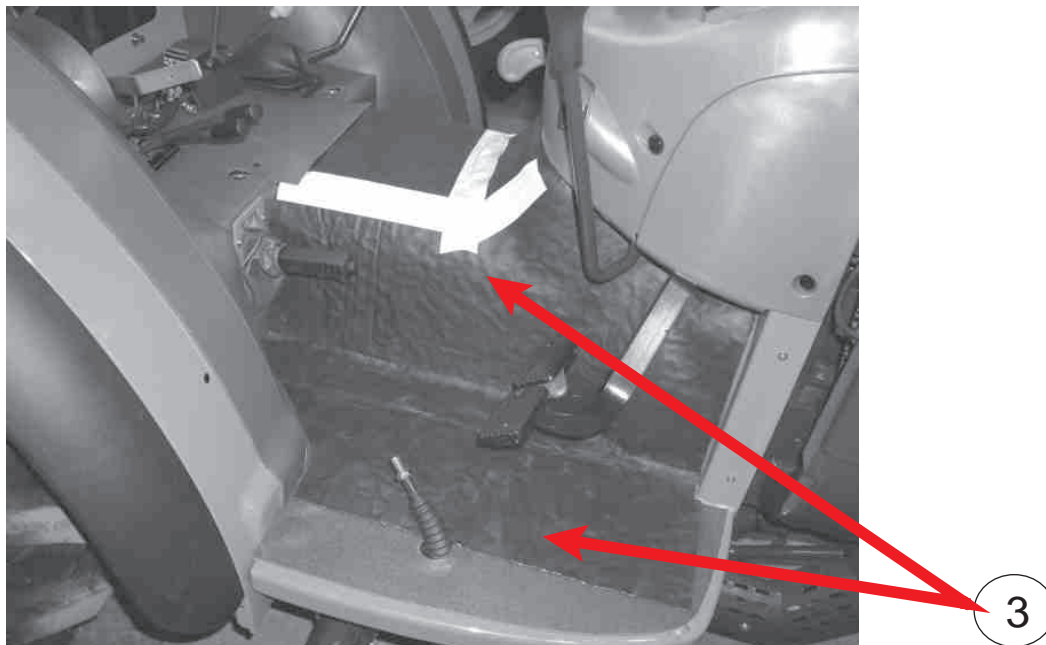
INTERIOR FENDER LINING



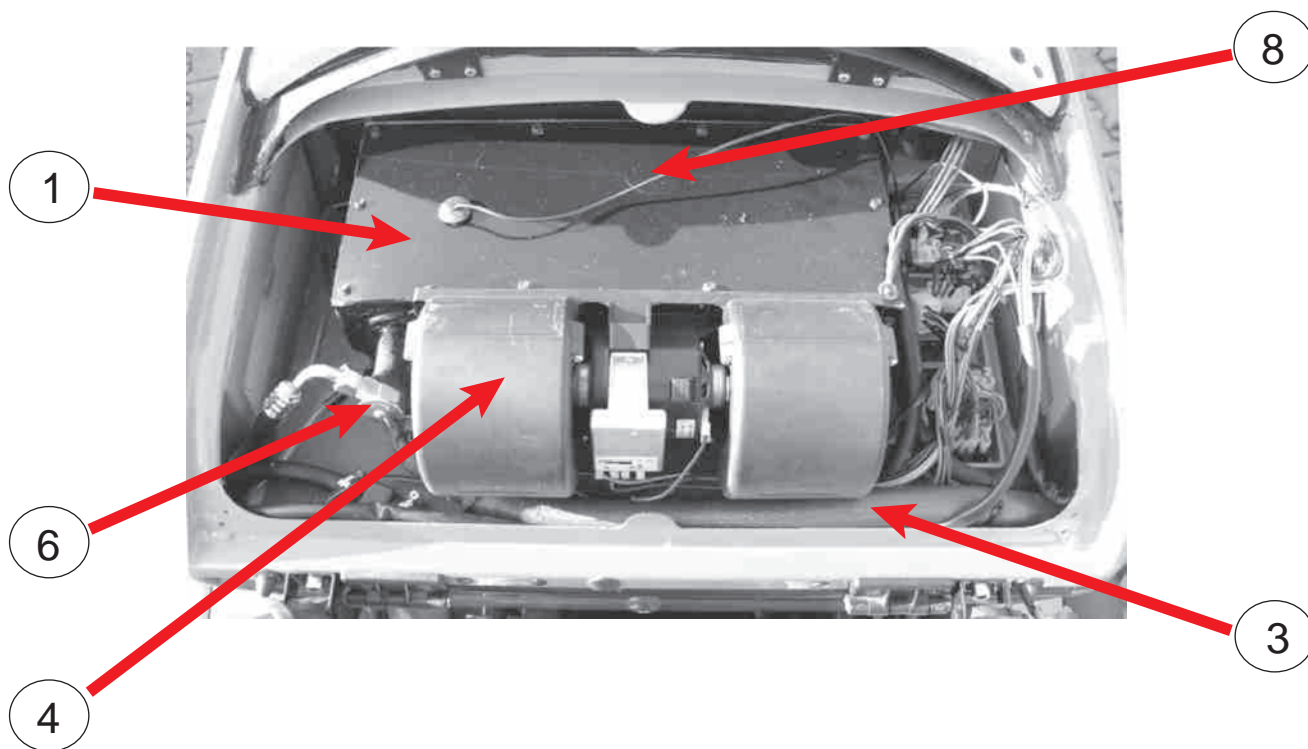
Item#	Part#	Description	Qty
1	SC-M10789	Fender interior lining - TNF (Right)	1
2	SC-M10790	Fender interior lining - TNF (Left)	1
5	SC-R13862	Plate to secure levers	1

INTERIOR FENDER LINING

Item#	Part#	Description	Qty
1	SC-M10789	Fender interior lining material (Right)	1
3	SC-M12432	Soundproofing tunnel	1
4	SC-I11421	Lining tunnel	1
6	SC-R13856	Plate to secure levers	1

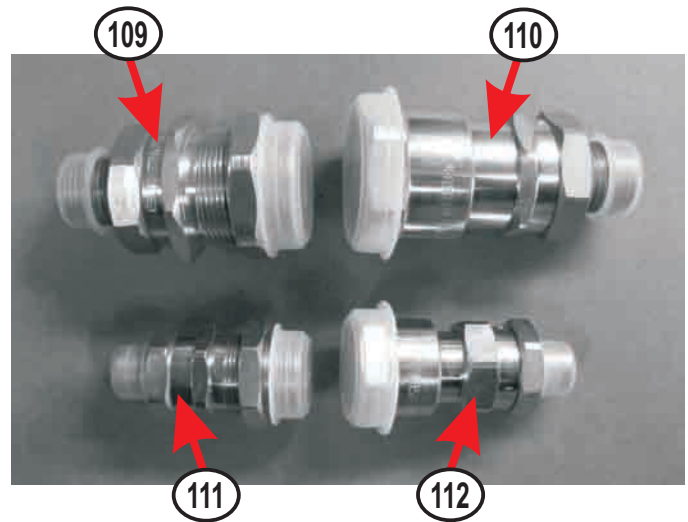
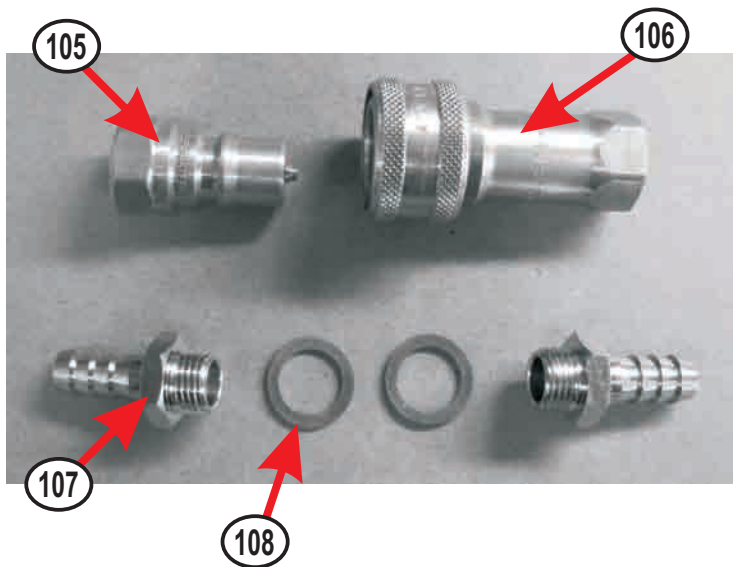
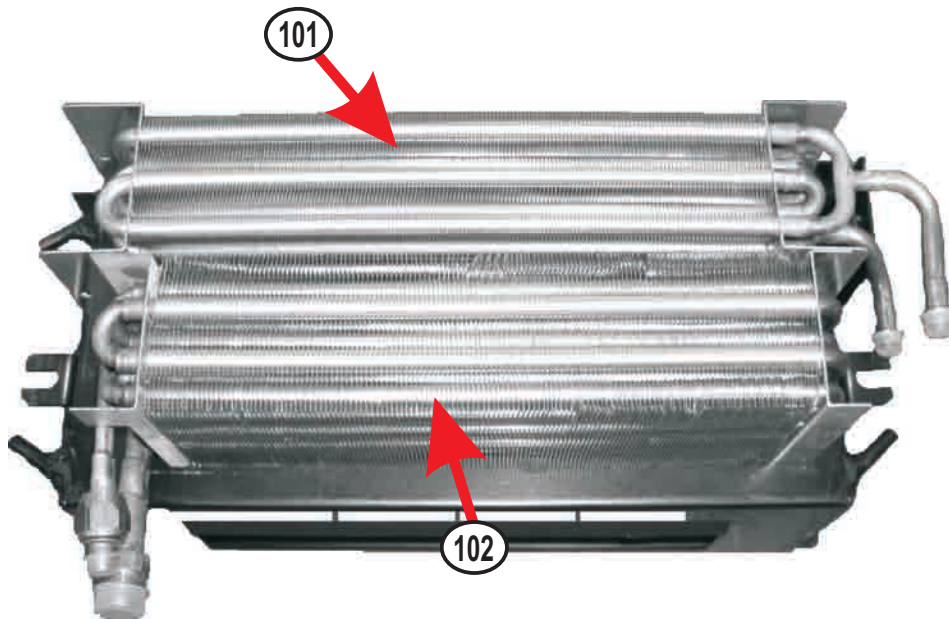


A/C COMPONENTS



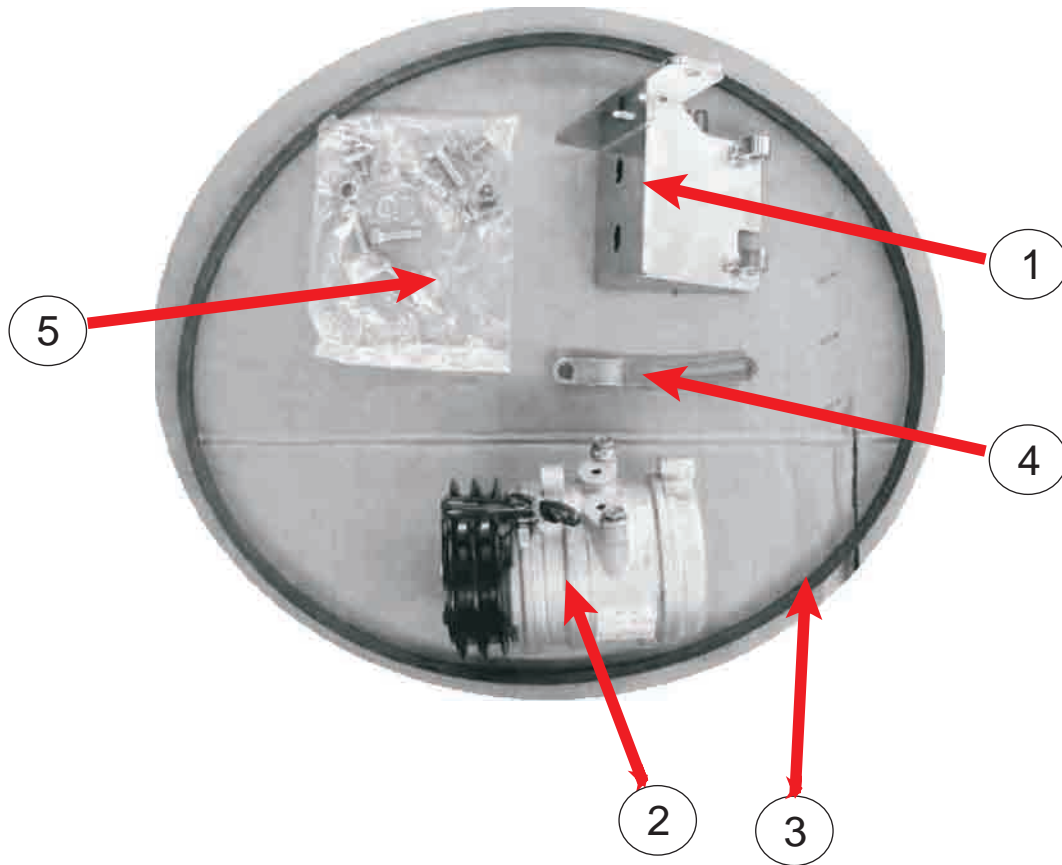
Item#	Part#	Description	Qty
1	SC-S10707	A/C system - coil box	1
3	SC-M11945	Sponge insulation for A/C box	1
4	SC-M10206	Ventilation fan (dual) - 12V RA3VC	1
6	SC-M10461	TEC valve - N312301-R134A	1
8	SC-I11587	Thermostat A/C + cable K55 S/P	1

AC + HEATER COILS / QUICK CONNECTORS



Item#	Part#	Description	Item#	Part#	Description
101	SC-M10870	Heater coil assembly - 380x100x80	108	SC-M12415	Copper washer - 1/4"
102	SC-M10852	Evaporator A/C coil - 300x100	109	SC-M10813	Rapid AC connector 12 (male)
105	SC-M10834	Rapid H2O connector (male)	110	SC-M10812	Rapid AC connector 12 (female)
106	SC-M10833	Rapid H2O connector (female)	111	SC-M10811	Rapid AC connector 08 (male)
107	SC-M13197	Hose adapter fitting - 3/8" x 10 mm straight	112	SC-M10810	Rapid AC connector 08 (female)

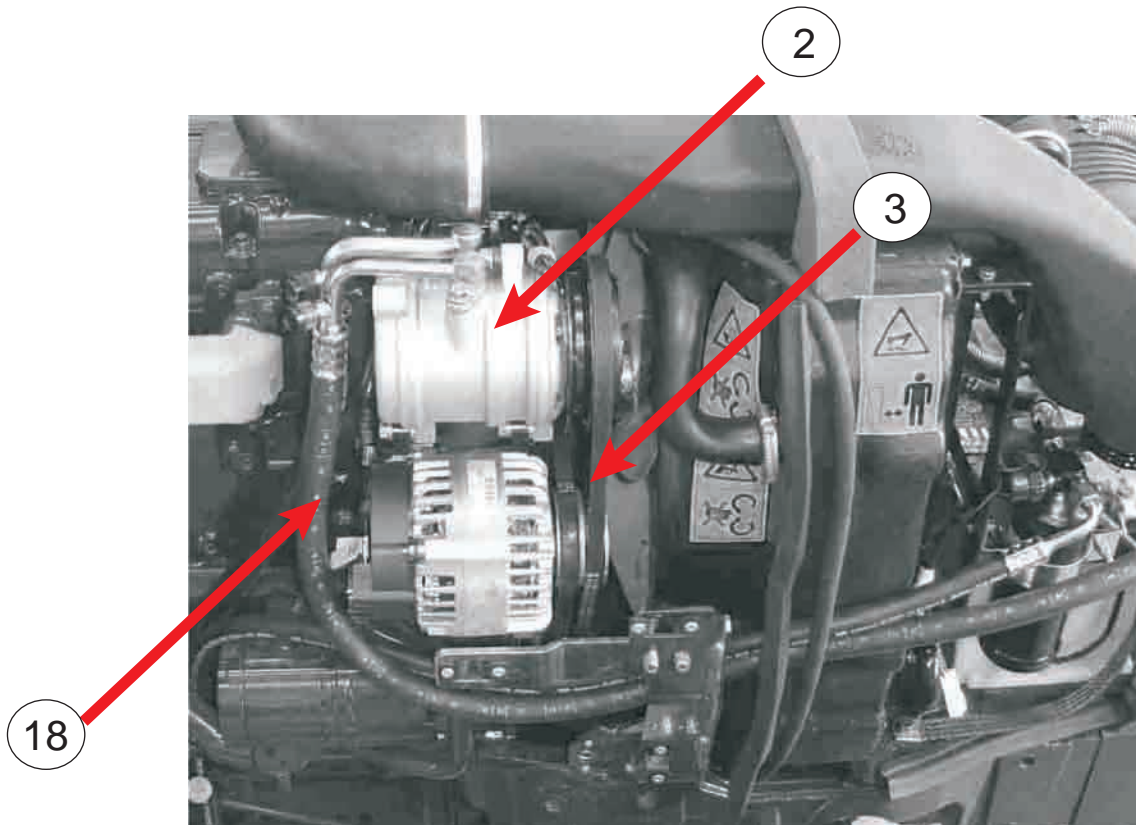
A/C COMPONENTS



Item#	Part#	Description	Qty
1	SC-S10654	Compressor support	1
2	SC-M10382	Compressor - Harrison SP. 10	1
3	SC-M12231	Drive belt A61 (only Rex 85)	1
	SC-M12478	Drive belt A60 (only Rex 95/105)	1
4	SC-R13511	Compressor adjustment strap	1
5	SC-V10819	Fasteners (kit) for A/C compressor	1

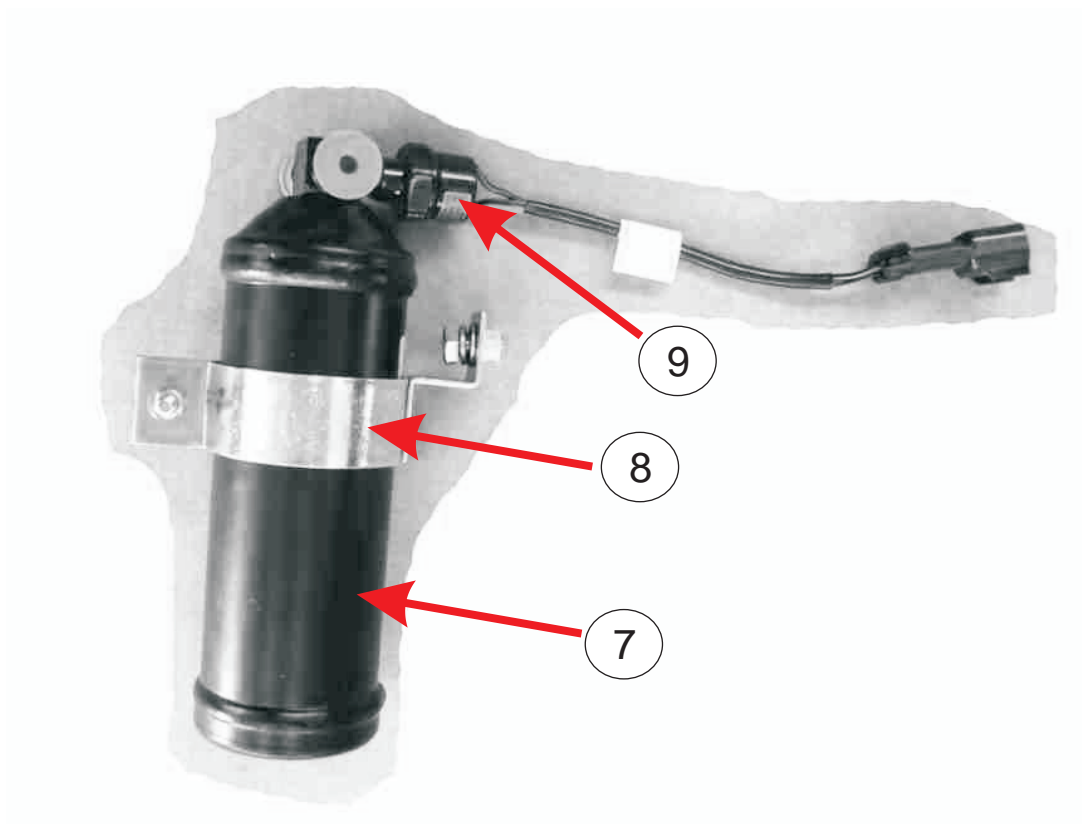
A/C COMPONENTS

Item#	Part#	Description	Qty
2	SC-M10382	Compressor - Harrison SP. 10	1
3	SC-M12231	Drive belt A61 (only Rex 85)	1
	SC-M12478	Drive belt A60 (only Rex 95/105)	1
18	SC-M11495	Hose from compressor to condenser	1

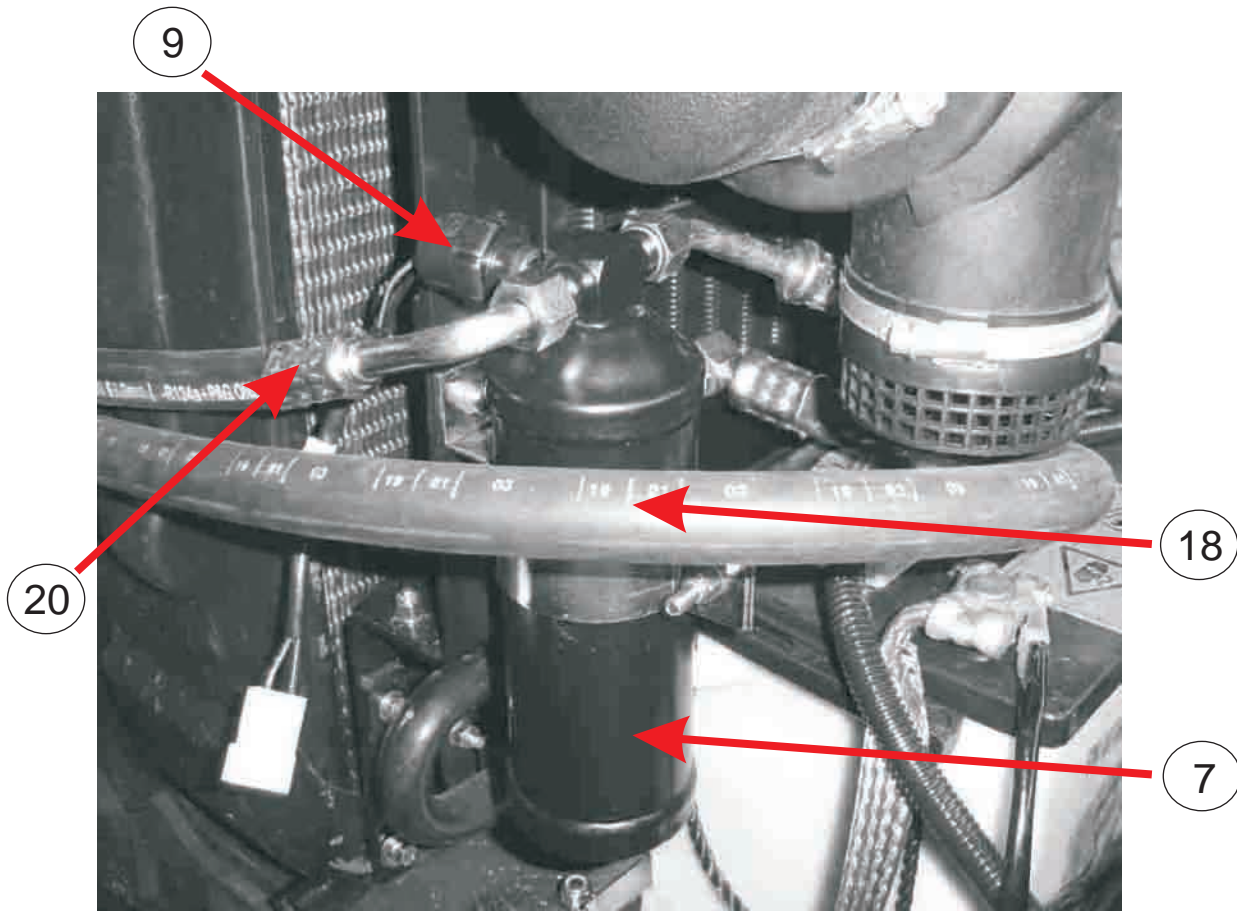


A/C COMPONENTS

Item#	Part#	Description	Qty
7	SC-M11037	Dehydrator filter	1
8	SC-M11846	Dehydrator support strap - 036424	1
9	SC-M10565	Pressure switch - Binary 2LIV	1



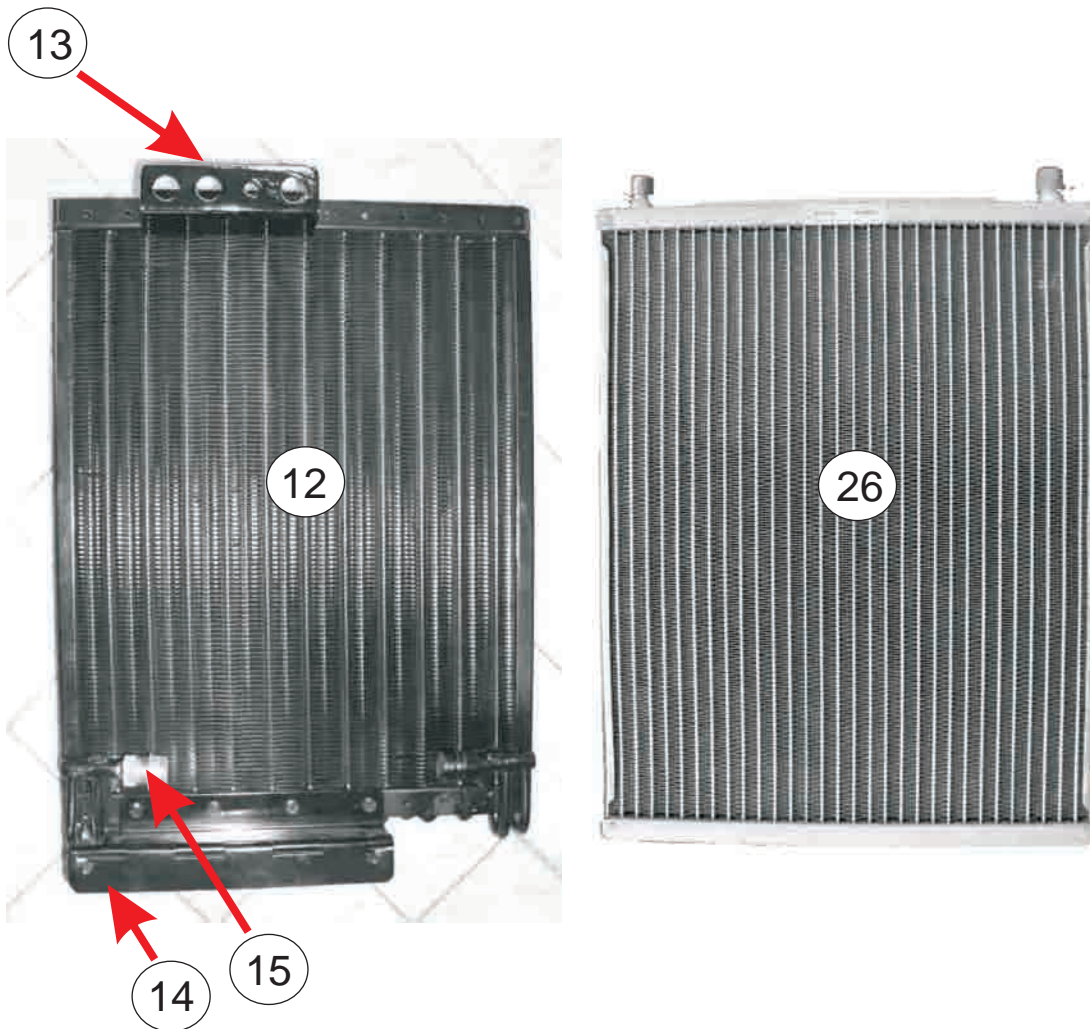
A/C COMPONENTS



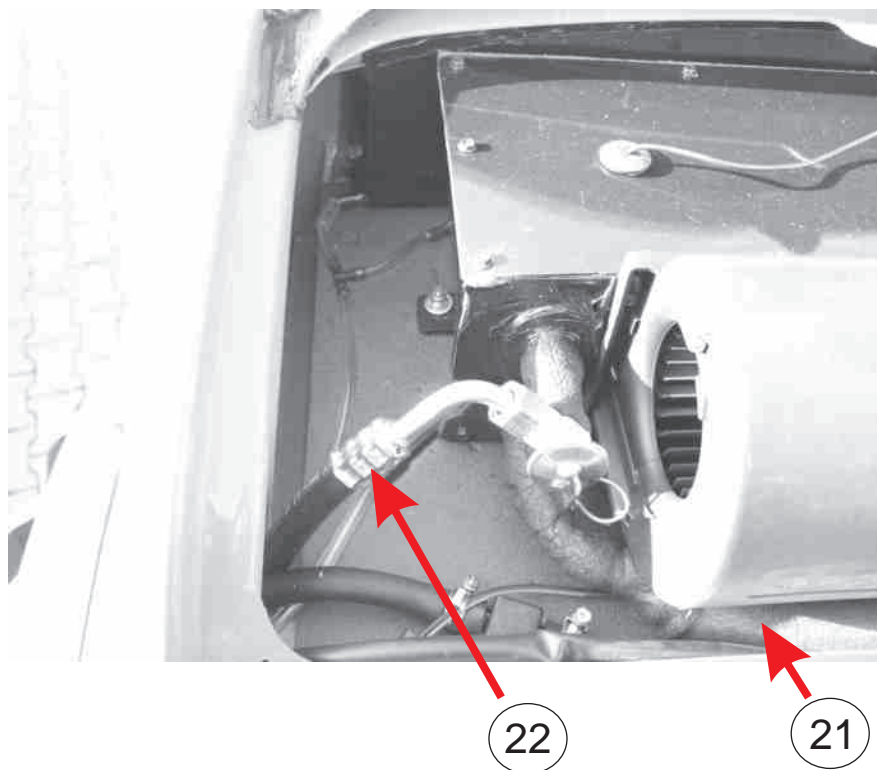
Item#	Part#	Description	Qty
7	SC-M11037	Dehydrator filter	1
9	SC-M10565	Pressure switch - Binary 2LIV	1
18	SC-M11495	Hose from compressor to condenser - Lg. 1300	1
20	SC-M12284	Hose from filter to graft - Lg. 3650	1

A/C COMPONENTS

Item#	Part#	Description	Qty
12	SC-M11742	Condenser	1
13	SC-R13500	Primary to secure condenser	1
14	SC-R13510	Secondary to secure condenser	1
15	SC-M11845	Adapter fitting - 820FB823	1
26	SC-M12531	Condenser - aluminum	1
--	SC-S10831	Support for condensor (SC-M12531) -- not shown	1

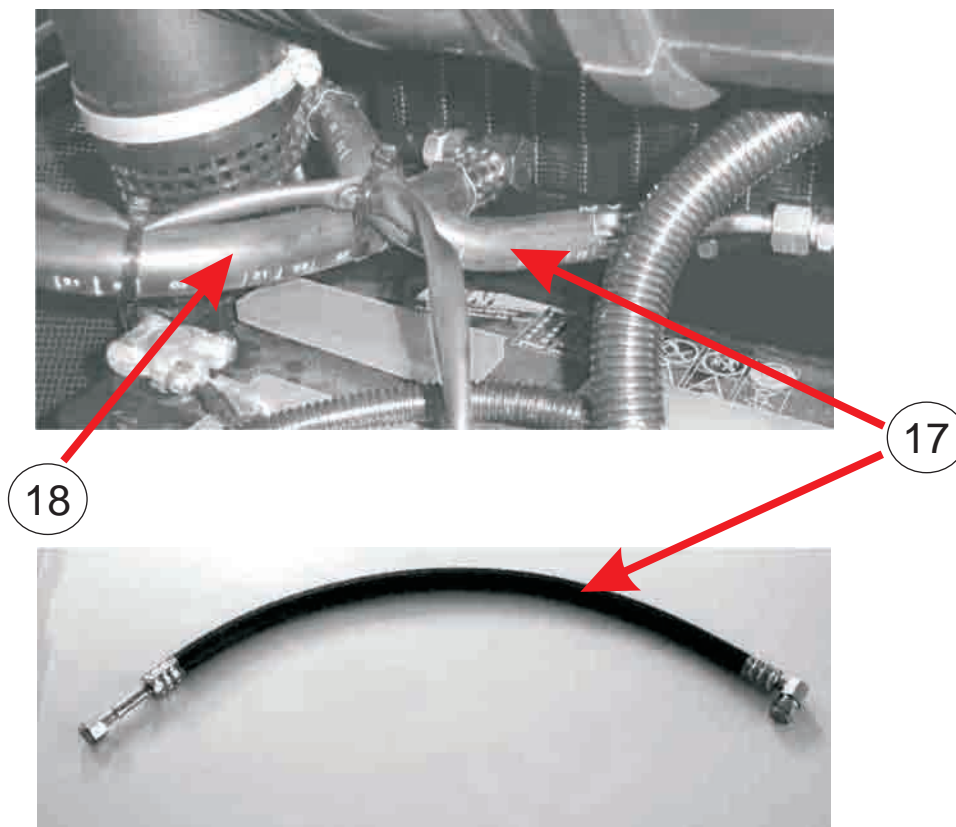


A/C HOSES



Item#	Part#	Description	Qty
21	SC-M12286	Hose from evaporator to Quick Coupler - Lg.1250	1
22	SC-M12285	Hose from Quick Coupler to valve TEC - Lg.850	1

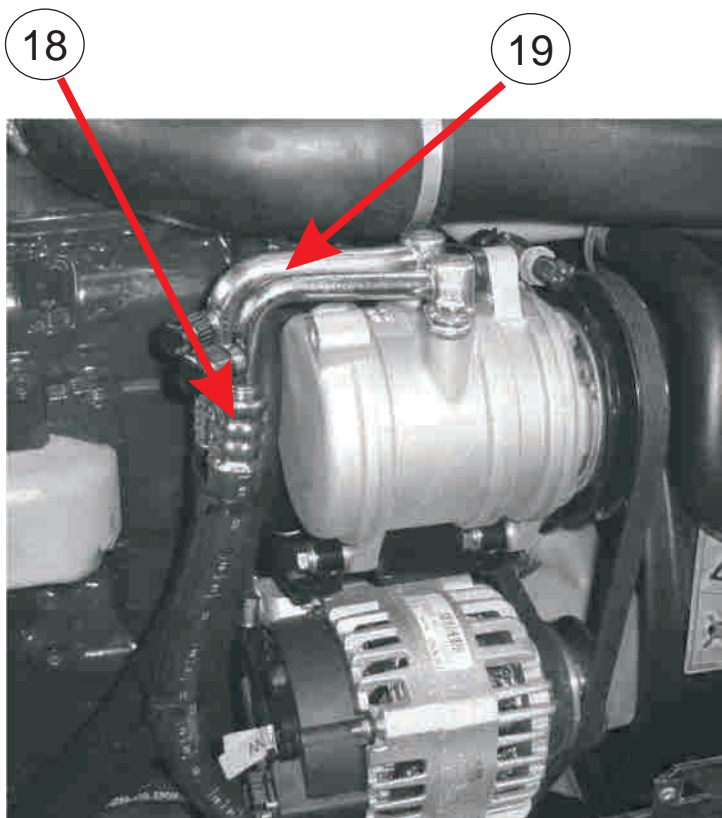
A/C HOSES



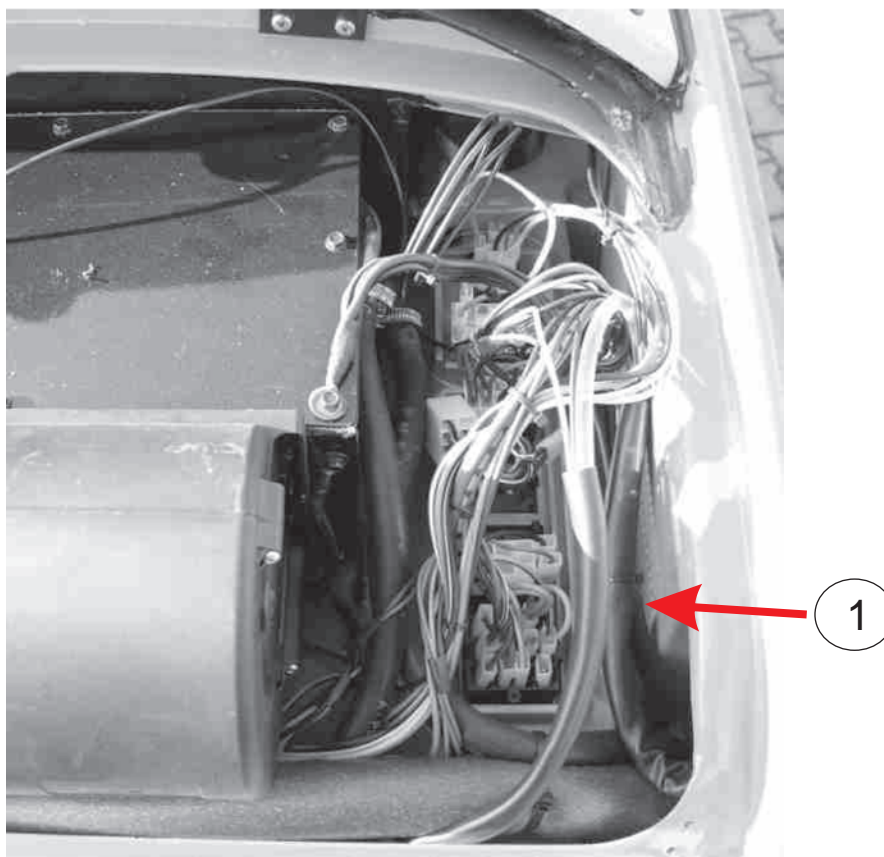
Item#	Part#	Description	Qty
17	SC-M11918	Hose from condenser to filter - Lg.650	1
18	SC-M11495	Hose from compressor to condenser	1

A/C HOSES

Item#	Part#	Description	Qty
18	SC-M11495	Hose from compressor to condenser	1
19	SC-M12287	Hose from graft to compressor - Lg.3450	1



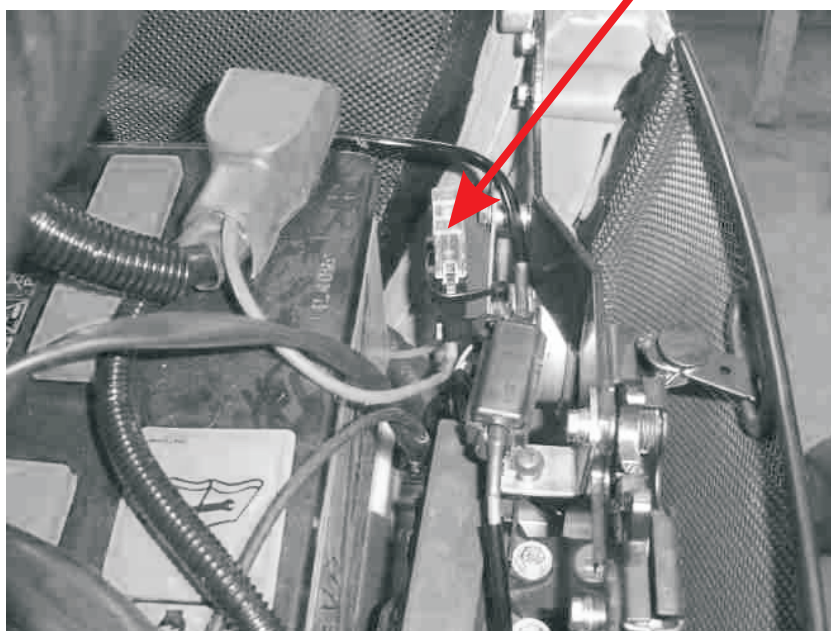
ELECTRIC WIRES / CABLES (COMPLETE SET)



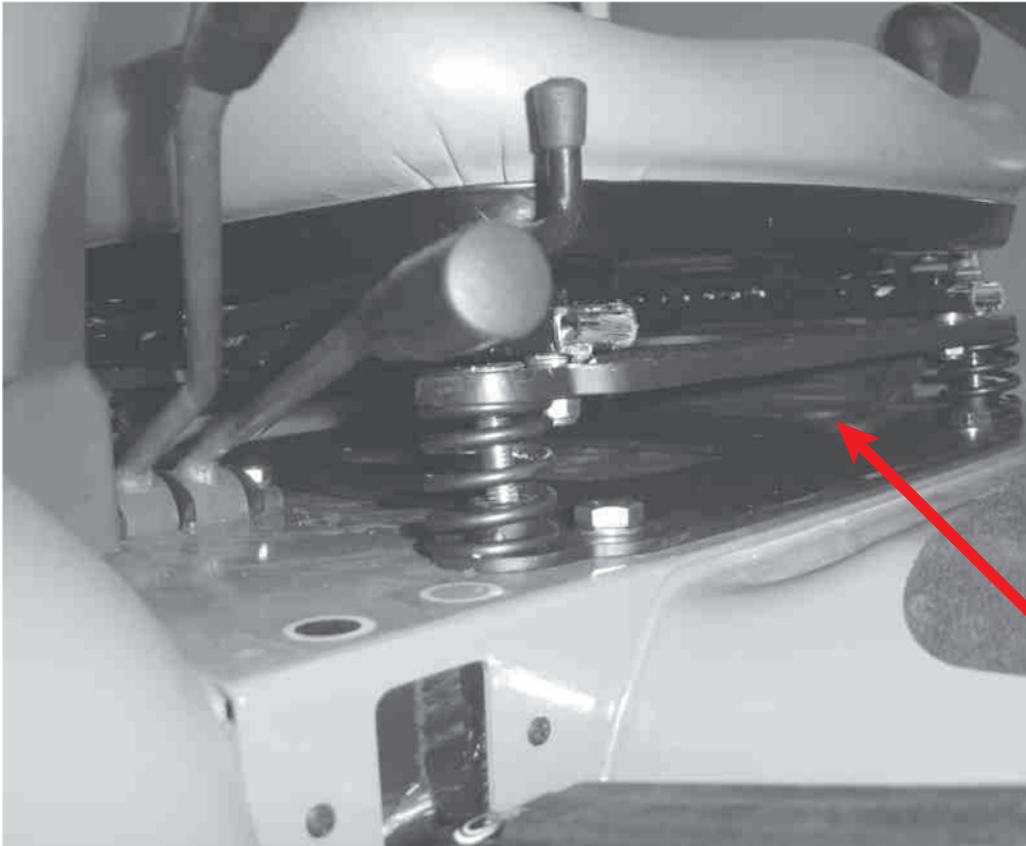
Item#	Part#	Description	Qty
1	SC-111529	Electric wires / cables (complete set)	1

ELECTRIC WIRES / CABLES (COMPLETE SET)

Item#	Part#	Description	Qty
2	SC-111428	Cable extension - fuse unit	1



SEAT SUPPORT



1

Item#	Part#	Description	Qty
1	SC-111423	Low seat support - TNF/TNV	1



For Questions or Technical Assistance Contact:

MG Equipment Co.

PO Box 655
Vineburg, CA 95487
Tel: (707) 996-2605
Mobile: (510) 813-2046
mgequipment@gmail.com