



**SPECIAL CAB** SRL  
*Specialized cabs for tractors*

# REPLACEMENT PARTS CATALOG



---

## **Kubota M9540 Low Profile Tractor Cab**

---

  
**EQUIPMENT COMPANY**  
*Specialized Equipment for Agriculture*



# **SPECIAL CAB**

## **Kubota M9540 Low Profile Cab Replacement Parts Catalog**

*MG Equipment Company specializes in unique tractor implements designed specifically for vineyards and orchards.*

*This catalog is designed to detail all the parts and components for **SPECIAL CABS** low profile cab designed specifically for the Kubota M9540 tractor.*

*To ensure a long life of reliable and trouble-free service for your implements, use only genuine **SPECIAL CABS** replacement parts.*

*It is our goal to meet or exceed the expectations of our customers and to offer unsurpassed service and parts support. We partner with each of our manufacturers to provide the best possible after-sales-support.*

*We thank you for your valued business. We remain at your complete disposal for any information you require regarding any of our products.*

---

For Replacement Parts Sales and Information contact:

### **MG Equipment Co.**

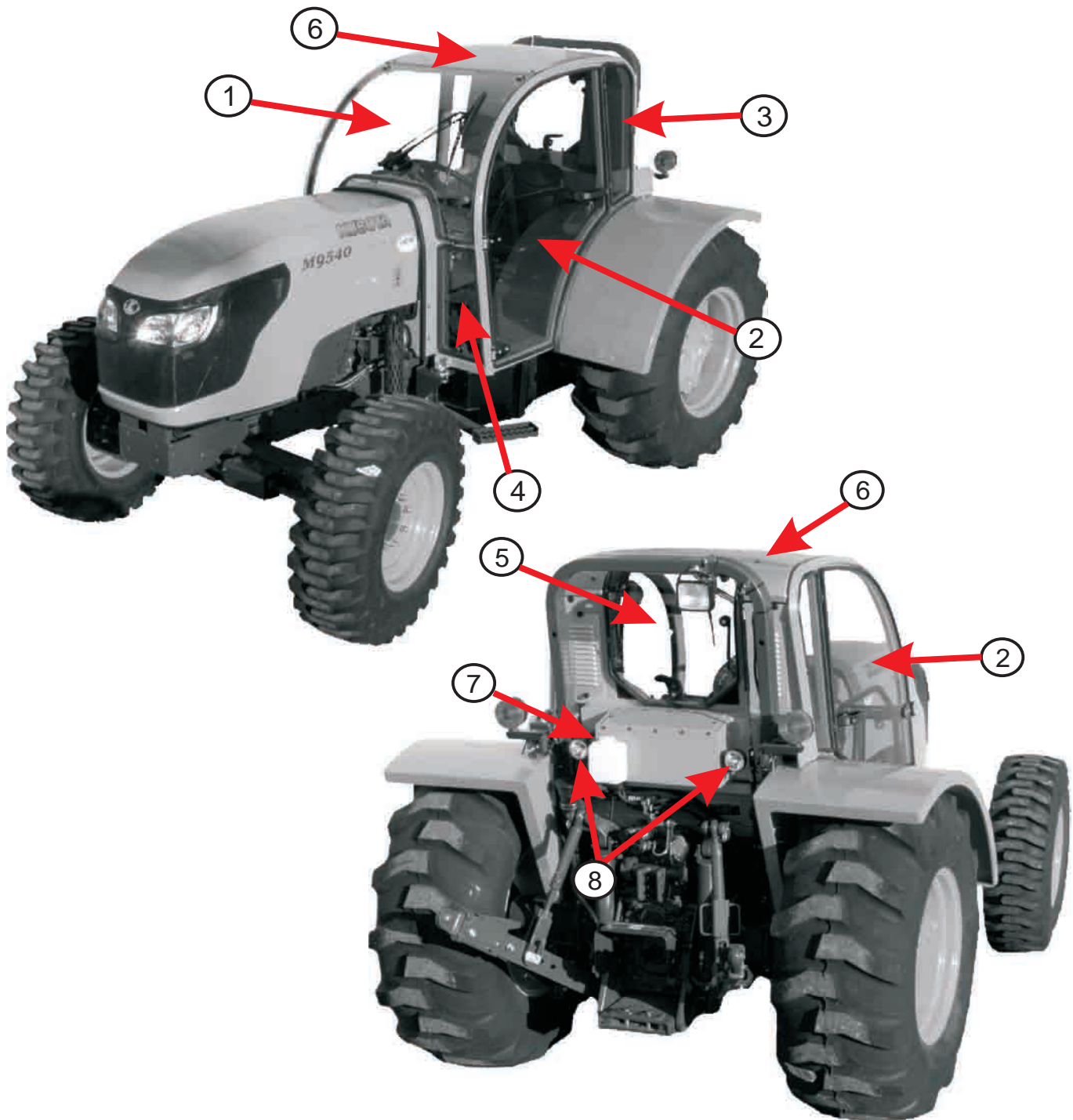
PO Box 655 Vineburg, CA 95487  
mgequipment@gmail.com

**Tel: (707) 996-2605**

**Fax: (707) 996-3405**

**Mobile: (510) 813-2046**

**CAB EXTERIOR / GLASS**



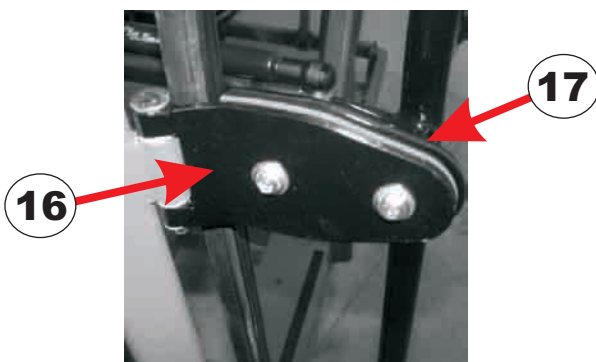
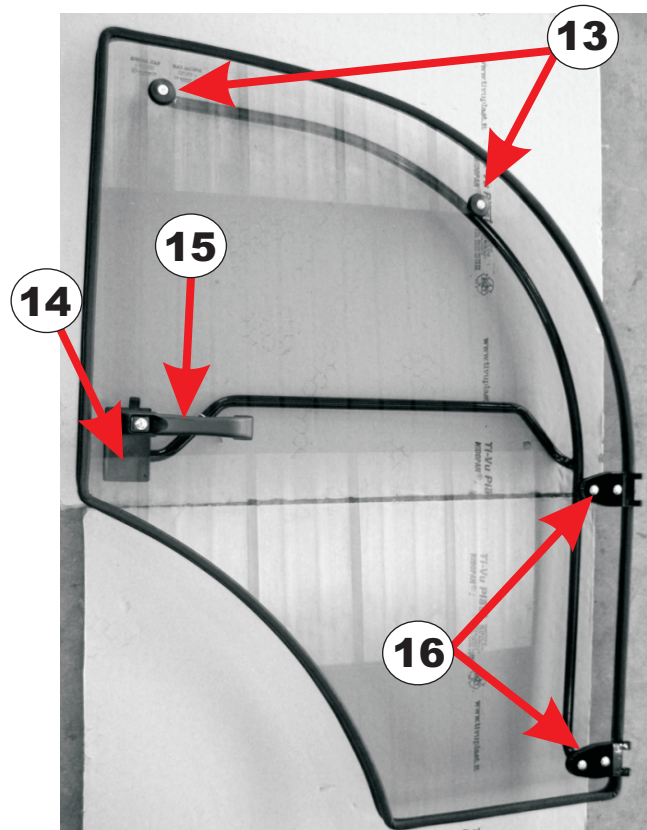
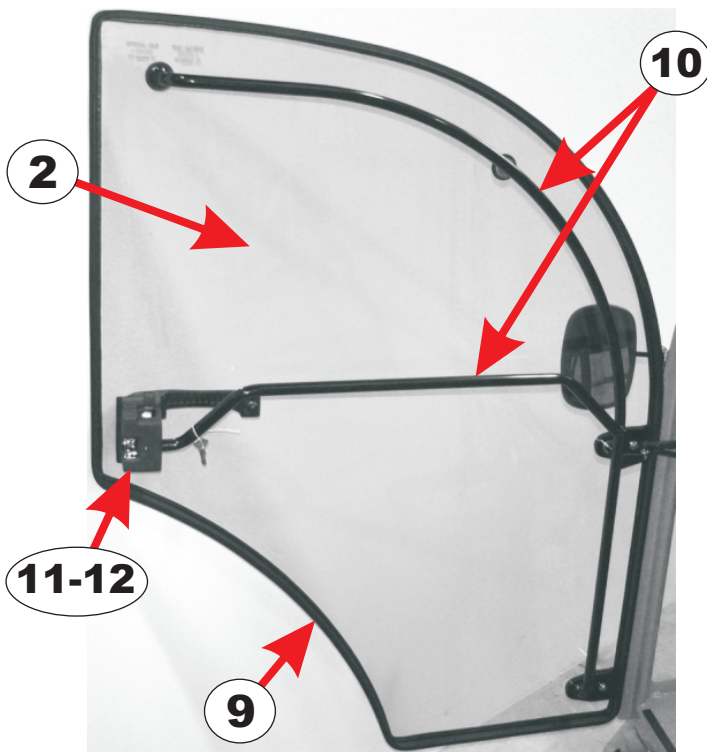
Item#	Part#	Description
1	SC-C10549	Front glass windshield - curved - M9540
2	SC-C10555	Door glass pane (R/L) - M9540
3	SC-C10556	Side deflector glass - M9540
4	SC-C10557	Lower front fixed glass pane - M9540
5	(see pages 6-7)	Rear glass window - M9540

Item#	Part#	Description
6	SC-M13023	Roof panel ABS (vineyard) - Flat top
	SC-M13432	Roof panel ABS (orchard) - High top
7	SC-M11400	Wiper fluid tank (dual sprayer pumps)
8	SC-M13000	Rear light fixtures (round) + supports

**RIGHT / LEFT DOORS**

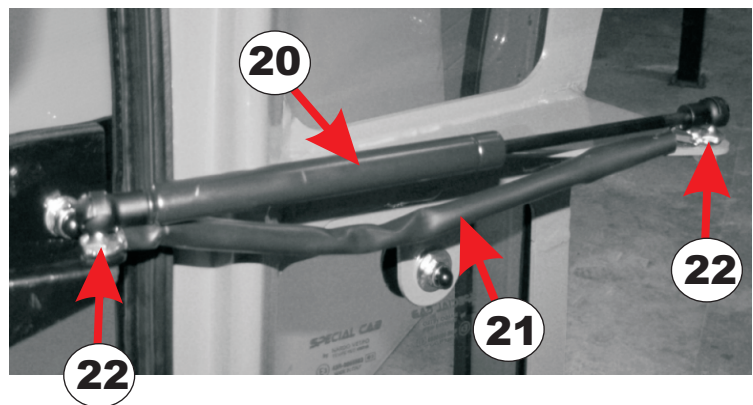
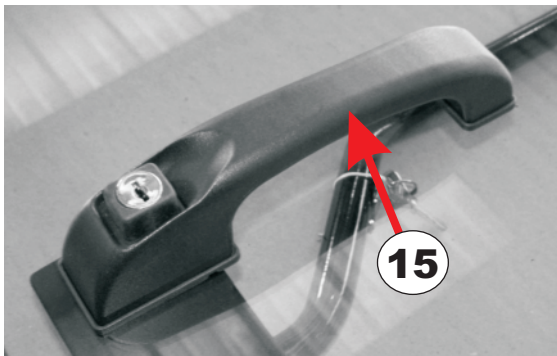
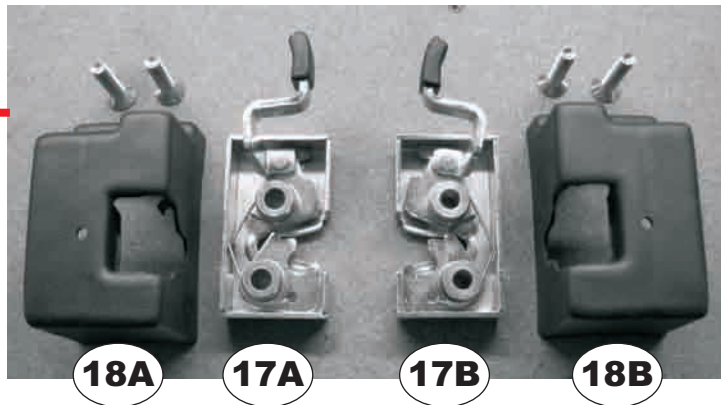
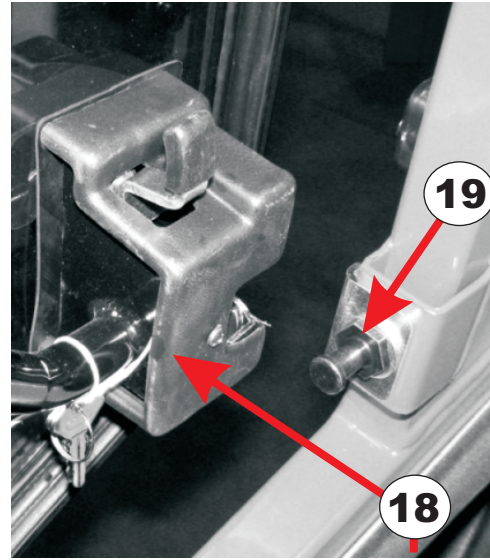
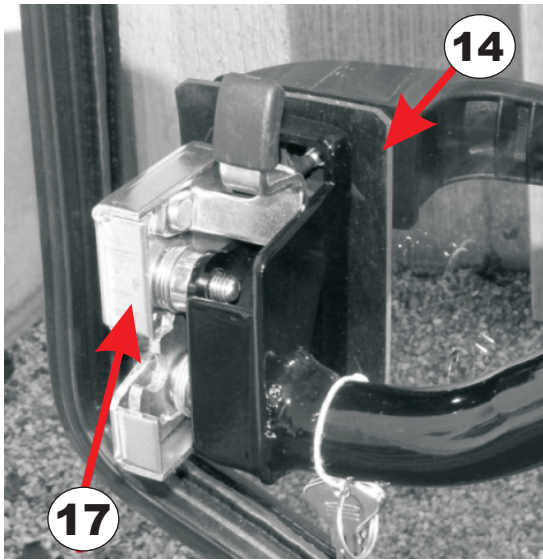
Item#	Part#	Description
2	SC-C10555	Door glass pane (R/L) - M9540
9	SC-P10211	Gasket/seal door glass - L=415cm (when ordering this seal/gasket --- please specify length needed)
10	SC-S10903	Door tubular handle/rail - Right**
	SC-S10904	Door tubular handle/rail - Left**
11	(see page 3)	Door latch
12	(see page 3)	Door latch cover ABS

Item#	Part#	Description
13	SC-M10174K	Bolt + washer + grommets (kit)
14	SC-M13216	Gasket for door lock assembly
15	SC-M12747K	Door handle assembly (exterior)
16	SC-S11224K	Door hinge (R/L) - kit
17	SC-R15354	Steel door hinge plate (inside)



**\*\*Note: RIGHT and LEFT are determined by the operator sitting in the tractor driver's seat**

**DOOR ACCESSORIES**



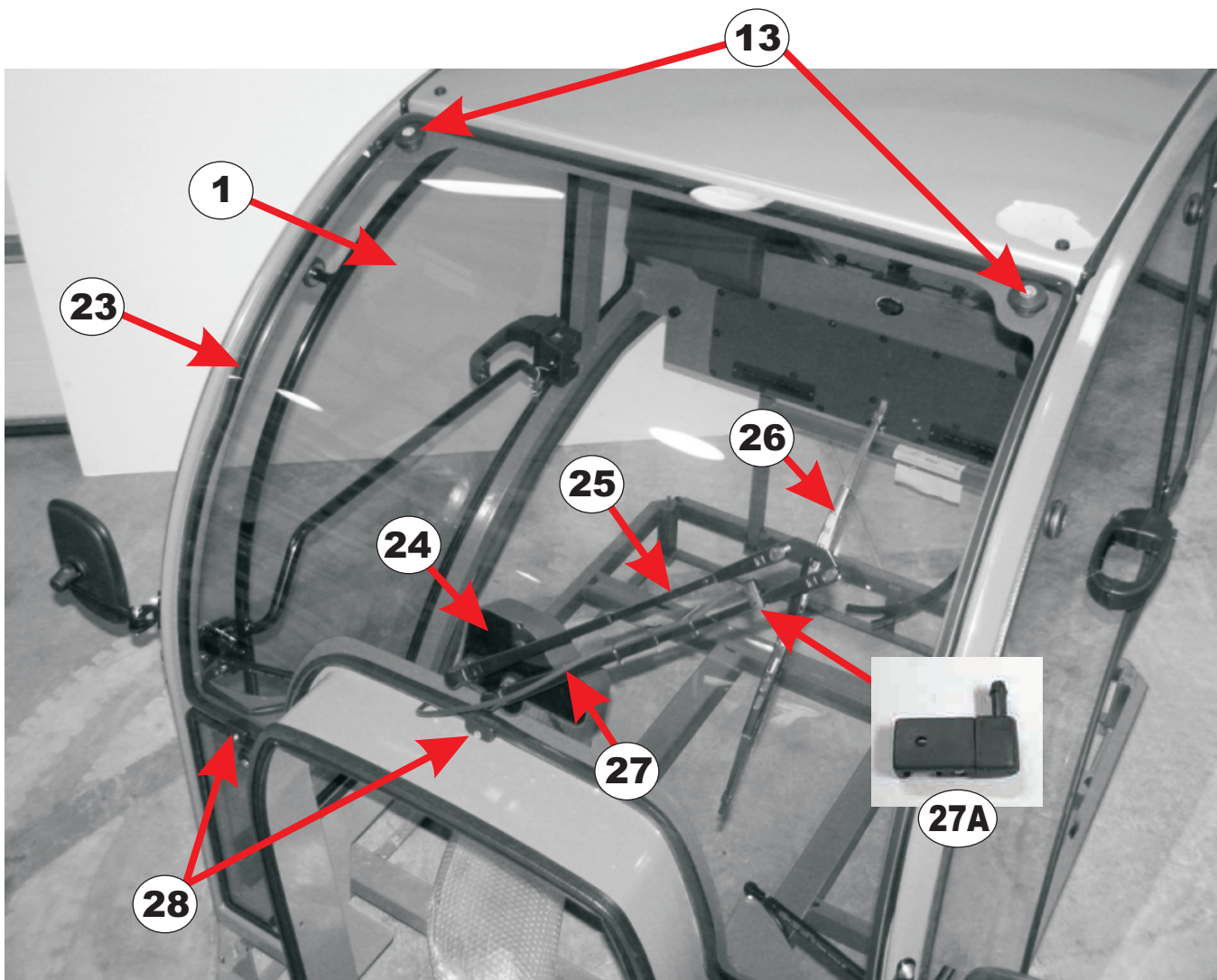
Item#	Part#	Description
14	SC-M13216	Gasket for door lock assembly
15	SC-M12747K	Door handle assembly (exterior)
17A	SC-M10694	Door latch assembly - SX
17B	SC-M10695	Door latch assembly - DX
18A	SC-M12805	Cover for lock assembly ABS - SX

Item#	Part#	Description
18B	SC-M12804	Cover for lock assembly ABS - RiDX
19	SC-111692	Door locking catch (threaded stud)
20	SC-M10764	Door opening piston (gas cylinder) - L=330
21	SC-112027	Door opening limit cable
22	SC-M10946	Spherical joint for gas cylinder

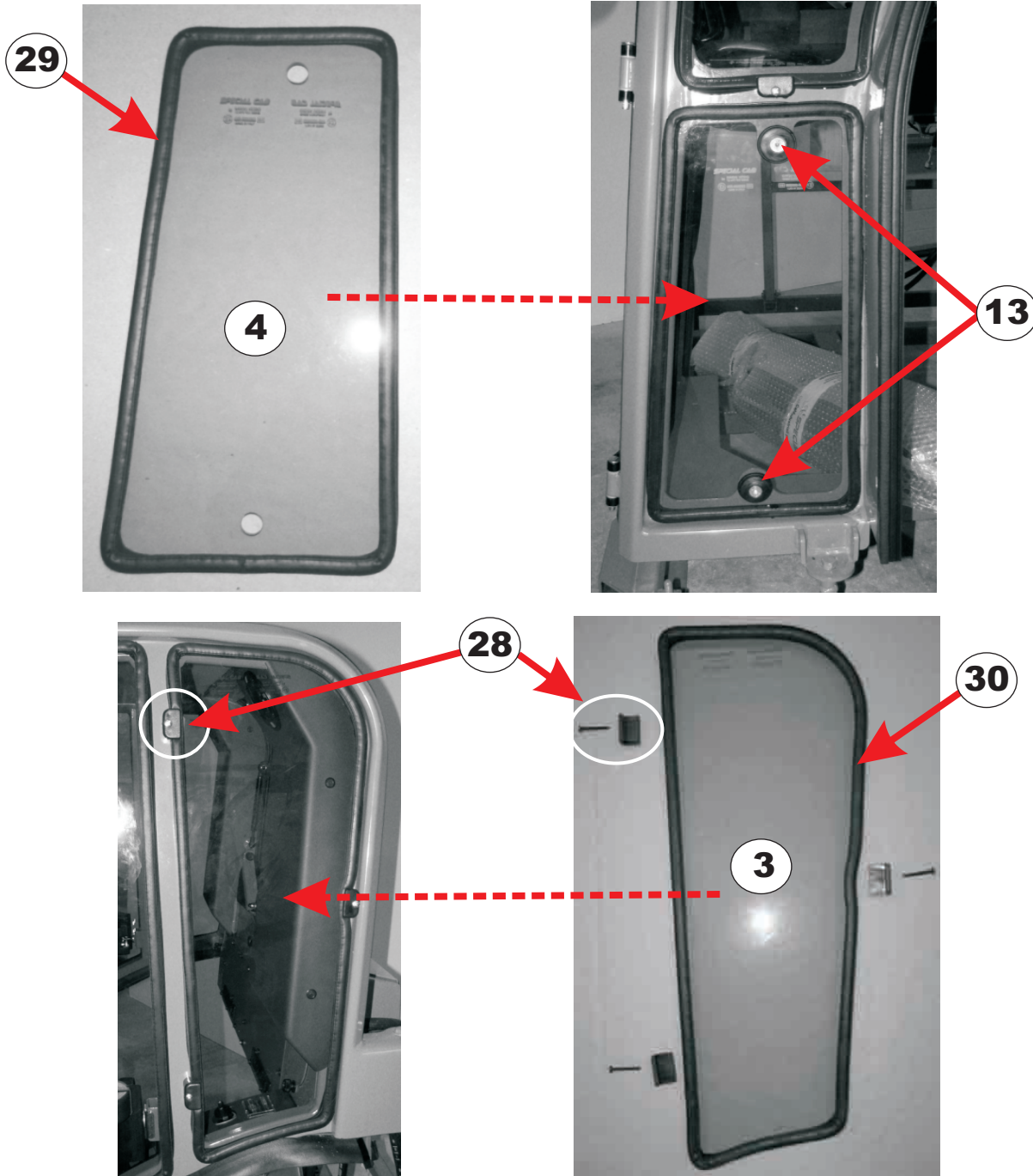
**FRONT WINDSHIELD**

Item#	Part#	Description
1	SC-C10549	Front glass windshield - curved M9540
13	SC-M10174K	Bolt + washer + grommets to secure glass
23	SC-P10211	Gasket/seal - front windshield - L=415cm (when ordering this gasket/seal --- please indicate length needed)
24	SC-M12294	Wiper motor assembly ITG50 - 110 degrees
25	SC-M11108	Wiper arm (panographic) - L=420/500

Item#	Part#	Description
26	SC-M10023	Wiper blade - L=450cm (18")
27	SC-M13198	Wiper fluid tubing - L=550mm
27A	SC-M12441	Wiper sprayer nozzle
28	SC-M10065K	L-bracket + screw + cap nut



**LOWER FRONT & SIDE GLASS**



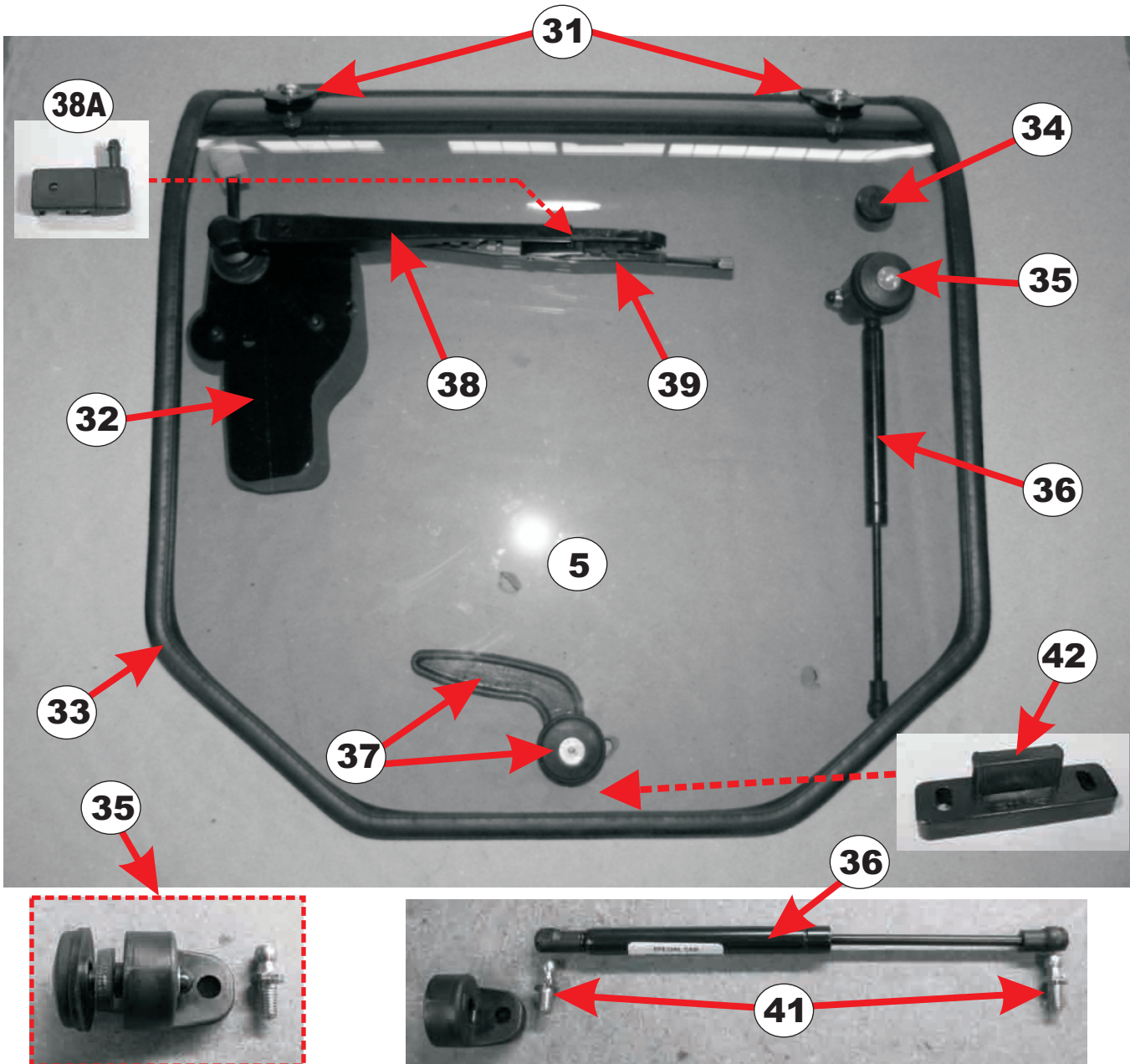
Item#	Part#	Description
3	SC-C10556	Side deflector glass - M9540
4	SC-C10557	Lower front fixed glass pane - M9540
13	SC-M10174K	Bolt + washers + grommets to secure glass
28	SC-M10065K	L-bracket + screw + cap nut
29	SC-P10175	Gasket/seal - lower front glass - L=160cm (when ordering this seal/gasket ---- please specify length needed)
30	SC-P10175	Gasket/seal - side deflector glass - L=180cm (when ordering this seal/gasket ---- please specify length needed)

**REAR WINDOW (2009-2011)**

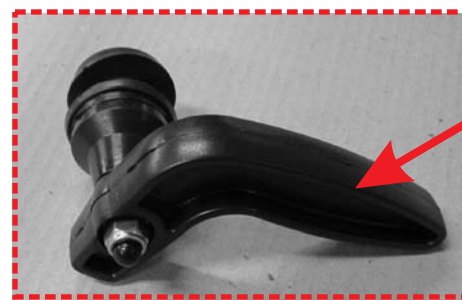
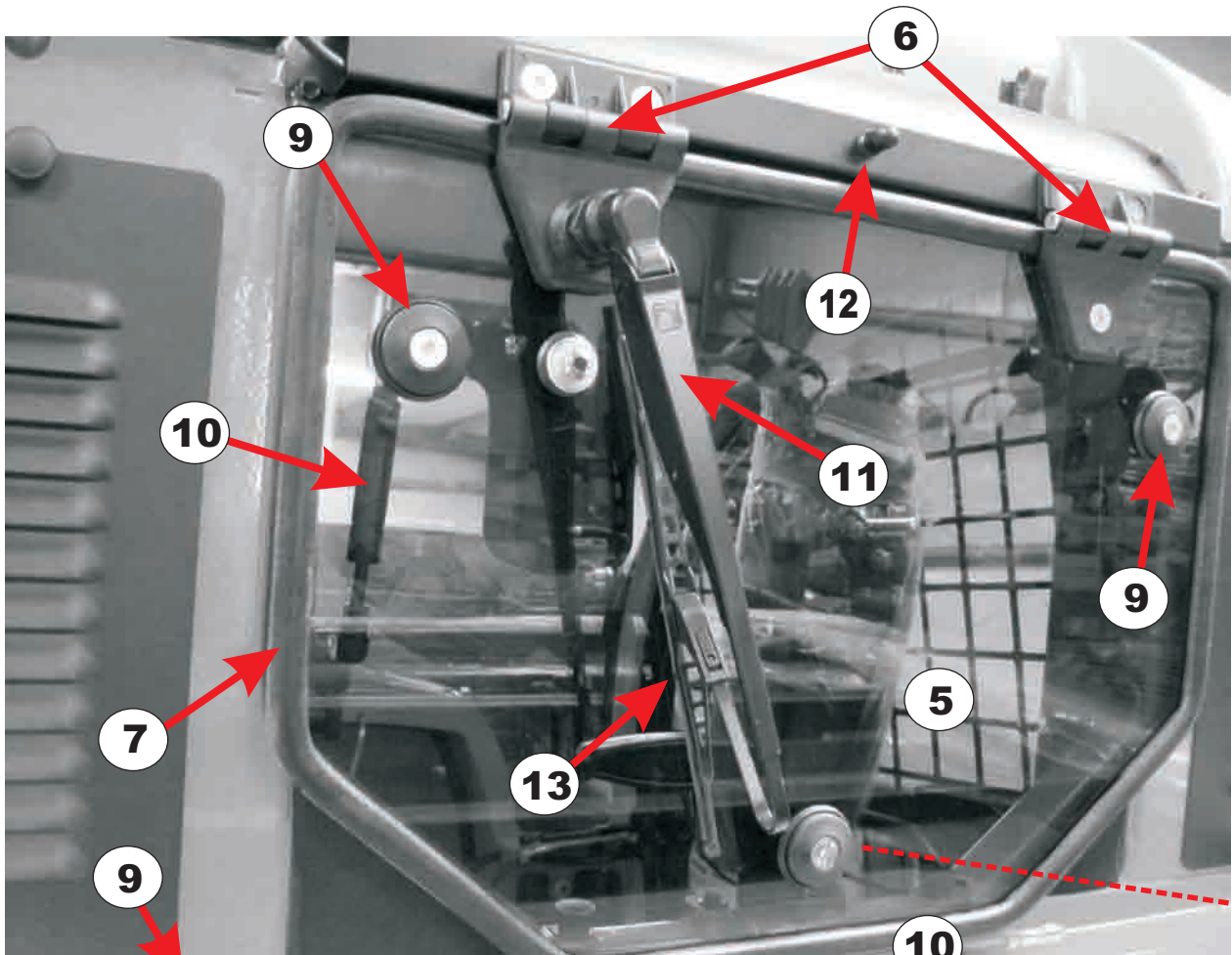
Item#	Part#	Description
5	SC-C10550	Rear curved glass window - M9540
31	SC-S10932	Rear window hinge (R/L)
32	SC-M12294	Wiper motor assembly ITG50 - 110 degrees
33	SC-P10175	Gasket/seal - rear window - 220cm
34	SC-M10089	Rubber grommet / plug
35	SC-M10020K	Piston support block / bolt / washer / stud kit
36	SC-M11834	Rear window opening piston - L=290 (11.5")

Item#	Part#	Description
37	SC-M11851K	Handle assembly - inside rear window
38	SC-M11060	Wiper arm assembly - L=335/415
38A	SC-M12441	Wiper sprayer nozzle
39	SC-M12230	Wiper blade - L=260 (10")
41	SC-M10946	Spherical joint for gas cylinder
42	SC-M10031	Rear window latch plate

**Note:** As of January 2016, this curved rear glass is no longer available from our glass supplier. Please contact our offices for a conversion kit to replace this rear glass with a flat pane (see next page for glass pane part number)



**REAR WINDOW (2012-PRESENT)**

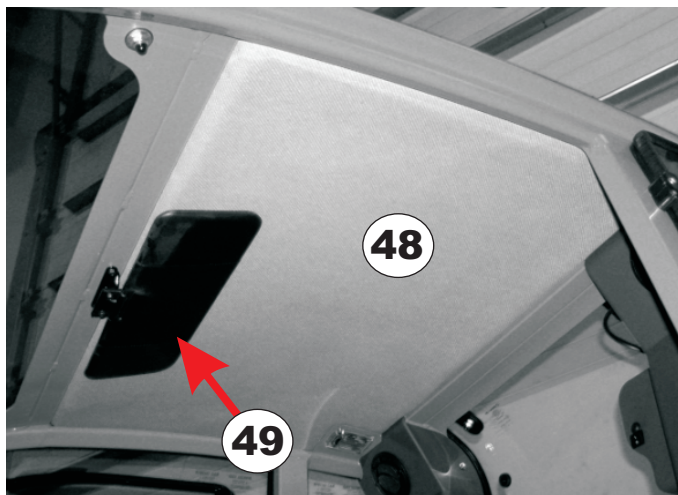
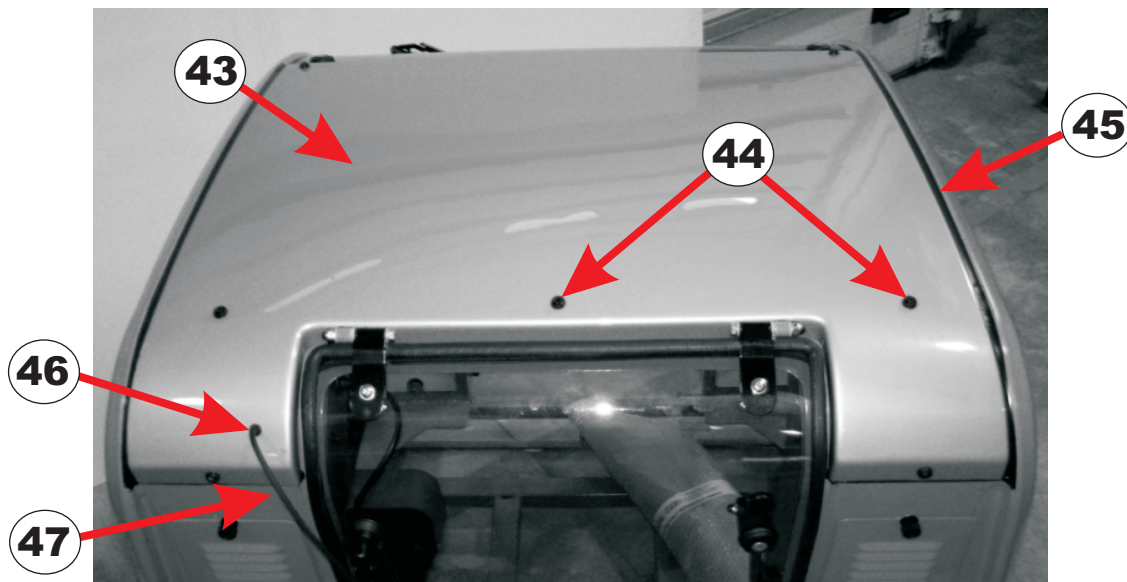


Item#	Part#	Description
5	SC-C10709	Rear glass window (flat pane) - M9540
6	SC-M10078K	Rear window hinge kit (R/L)
7	SC-P10175	Gasket/seal - rear window - L=220cm (when ordering this seal/gasket --- please specify length needed)
9	SC-M10020K	Piston support block / bolt / washer / stud kit
10	SC-M11834	Rear window opening piston - L=290 (11.5")
11	SC-M11060	Wiper arm assembly - L=335/415
12	SC-M10085	Wiper sprayer nozzle
13	SC-M12230	Wiper blade - L=260 (10")
15	SC-M10946	Spherical joint for gas cylinder
16	SC-M11851K	Rear window latch kit
17	SC-M10031	Rear window latch plate

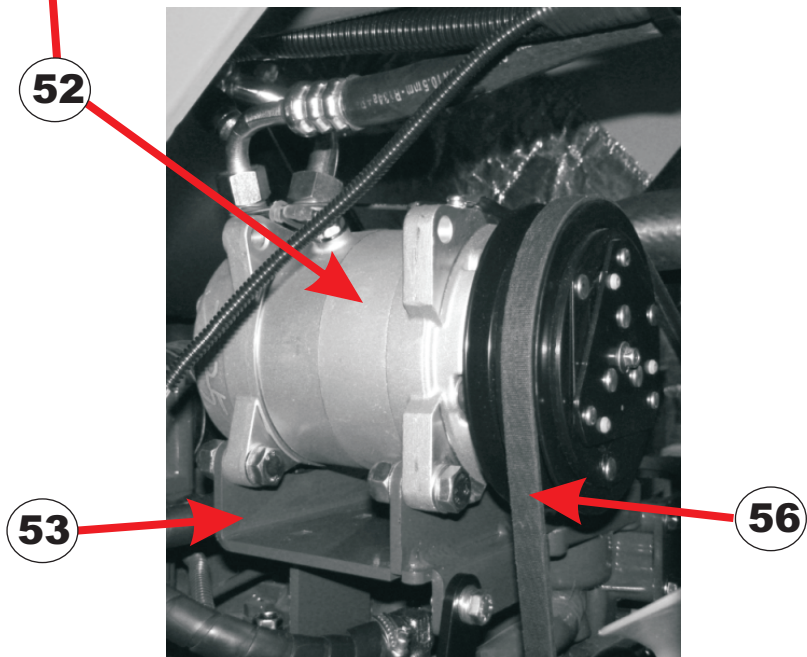
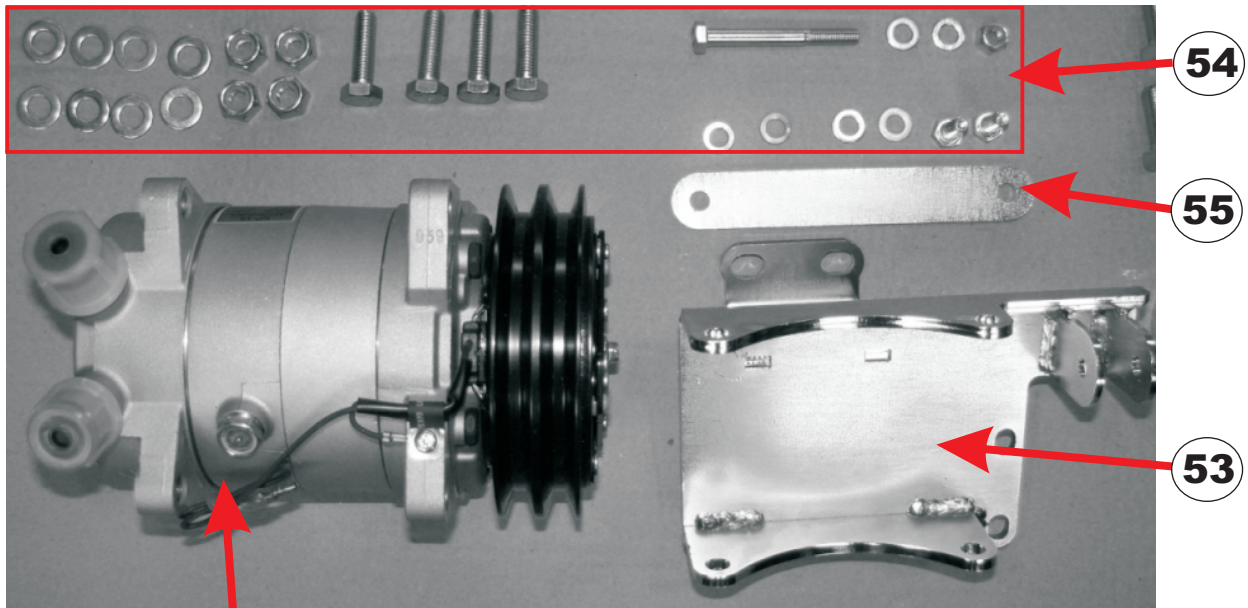
**ROOF PANEL / INTERIOR PANEL**

Item#	Part#	Description
43	SC-M13023	Roof panel ABS (vineyard) - Flat top
	SC-M13432	Roof panel ABS (orchard) - High top
44	SC-I12035	Kit to install roof panel (screws + washers)
45	SC-V99001	M. S. polymer (black exterior silicone tube)
46	SC-M10744	Coupling for wiper sparyer hose

Item#	Part#	Description
47	SC-M13199	Wipre fluid hose - L=450mm
48	SC-M13210	Interior roof lining material - M9540
49	SC-I10755	Sun visor
50	SC-M10038	Interior light fixture
51	SC-I10236	Air vent deflector - adjustable (round)



**A/C COMPRESSOR**

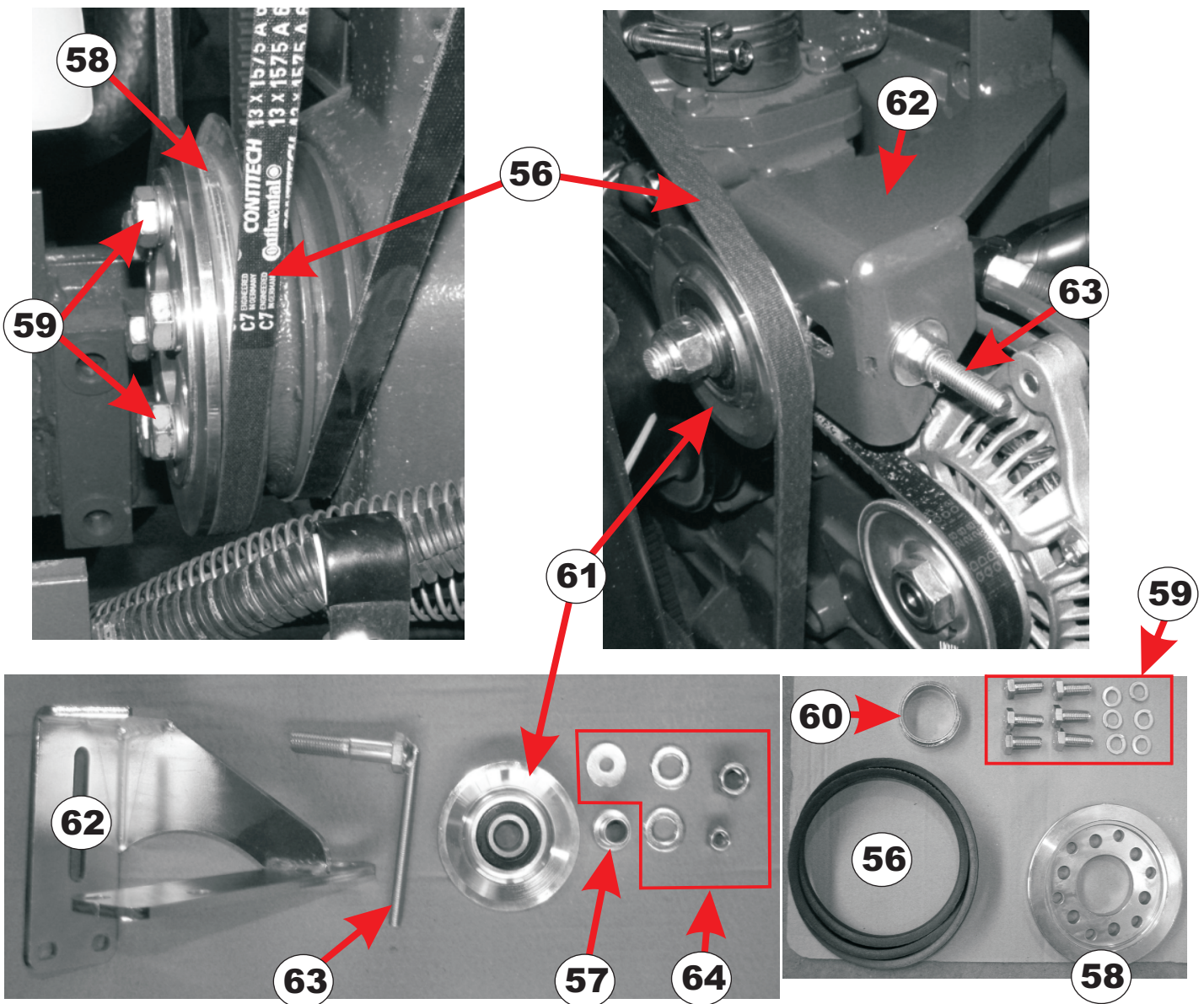


Item#	Part#	Description
52	SC-M13105	Compressor - SP. 15 12V
53	SC-S10924	A/C compressor support bracket - M9540
54	SC-I11844	Kit to secure A/C compressor - M9540
55	SC-R15665	Support strap - M9540
56	SC-M13166	Drive belt - A62

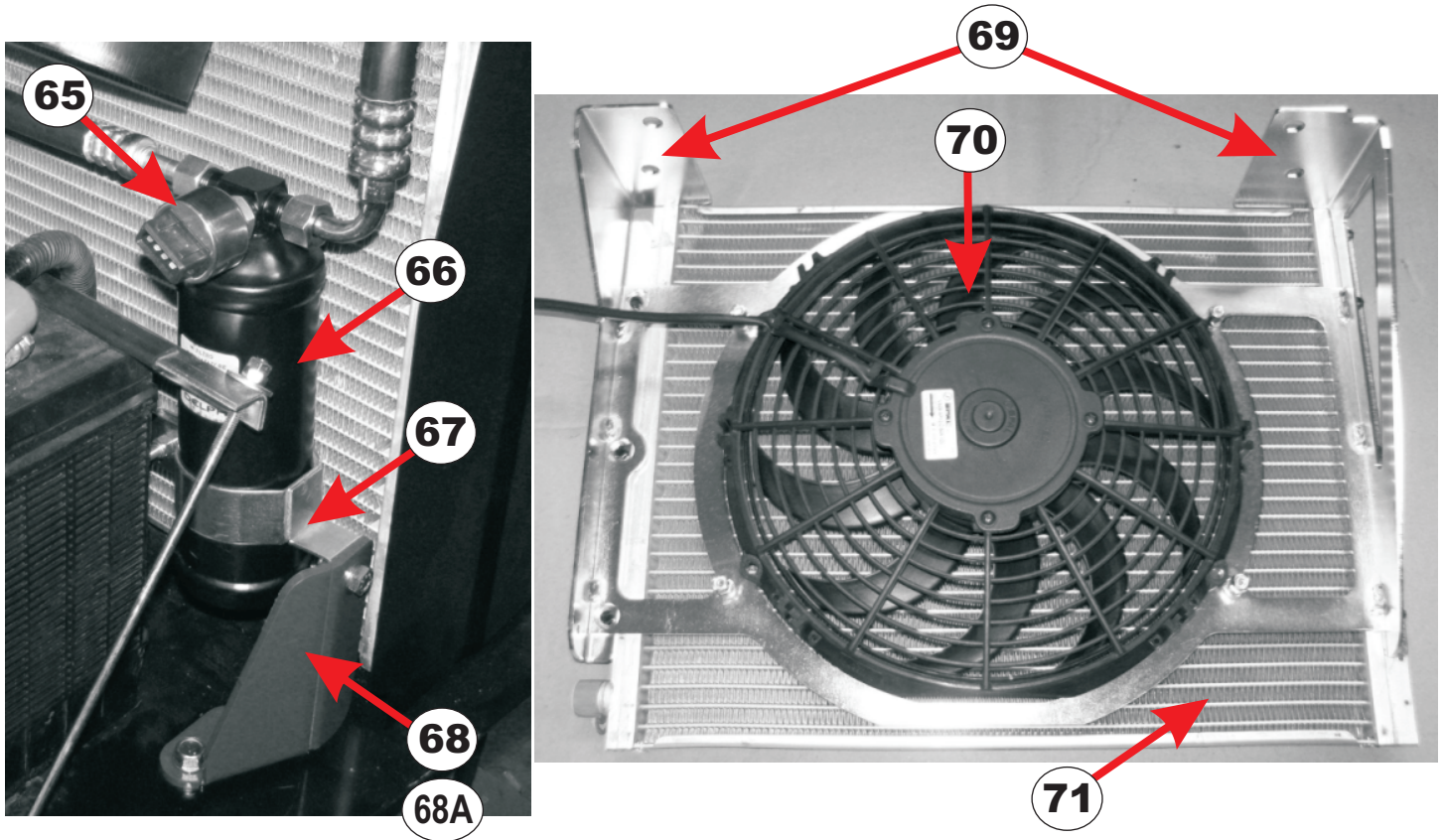
**AIR CONDITIONER SYSTEM**

Item#	Part#	Description
56	SC-M13166	Drive belt - A62
57	SC-R15668	Bearing spacing collar
58	SC-R15647	Pulley for motor
59	SC-I11845	Kit to secure engine pulley - M9540
60	SC-R15646	Spacing collar for pulley

Item#	Part#	Description
61	SC-M13144	Pulley D. 80 + bearing
62	SC-S10925	Belt tensioner strap - M9540
63	SC-S10898	Belt tensioner bolt + pin
64	SC-I11843	Kit to secure belt tensioner pulley



**AIR CONDITIONER SYSTEM**

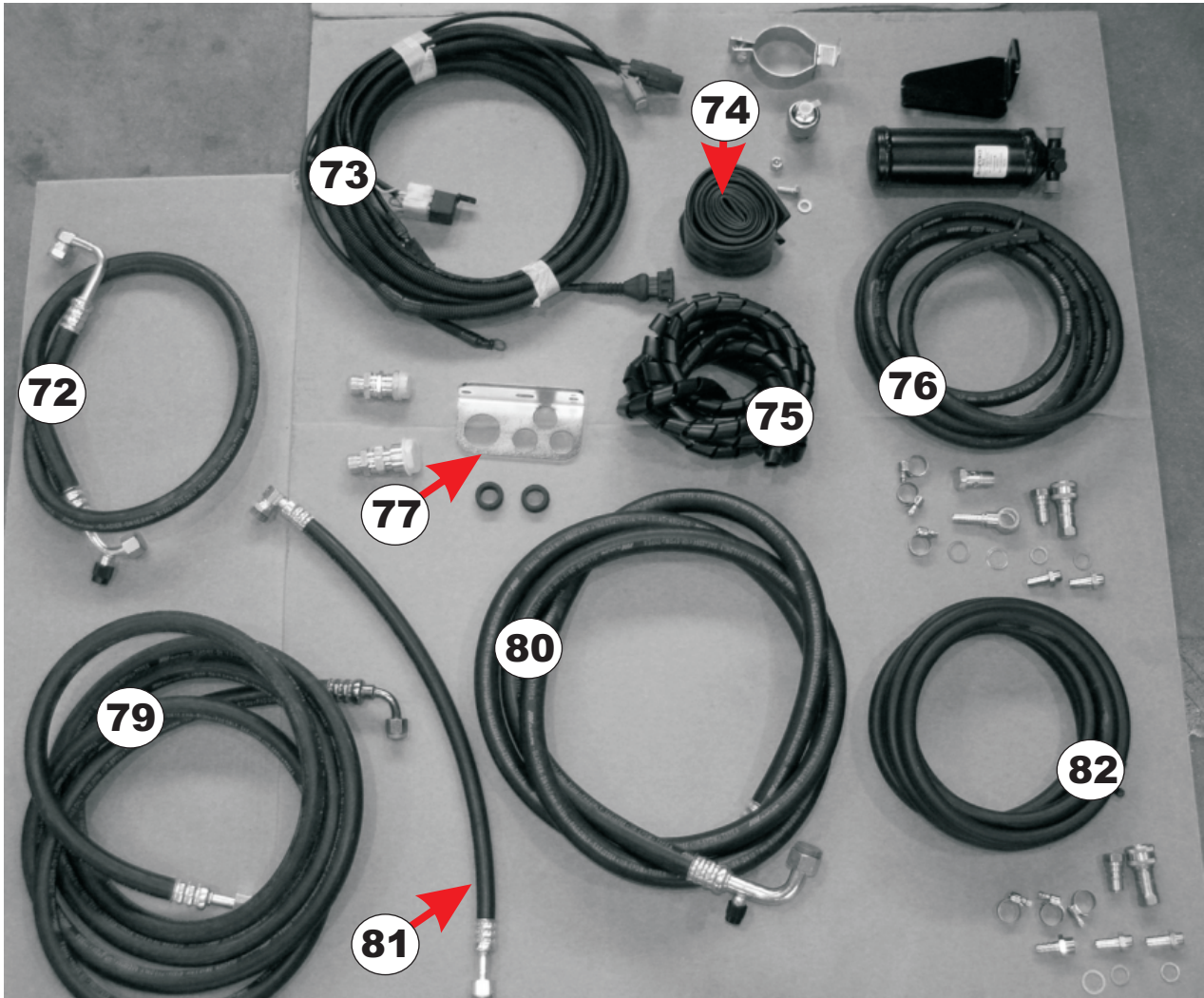


Item#	Part#	Description
65	SC-M13079	Pressure switch - trinary (043118/1)
66	SC-M11837	Dehydrator filter - 017052
67	SC-M11846	Dehydrator support strap
68	SC-R15664	Support bracket for dehydrator assembly
68A	SC-I11845	Kit to secure dehydrator assembly
69	SC-S10926	Condenser coil support brackets - M9540
70	SC-M13104	Electric fan for condenser coil - D.305
71	SC-M12531	Condenser coil 2006 LP - 13.5"x18.5"

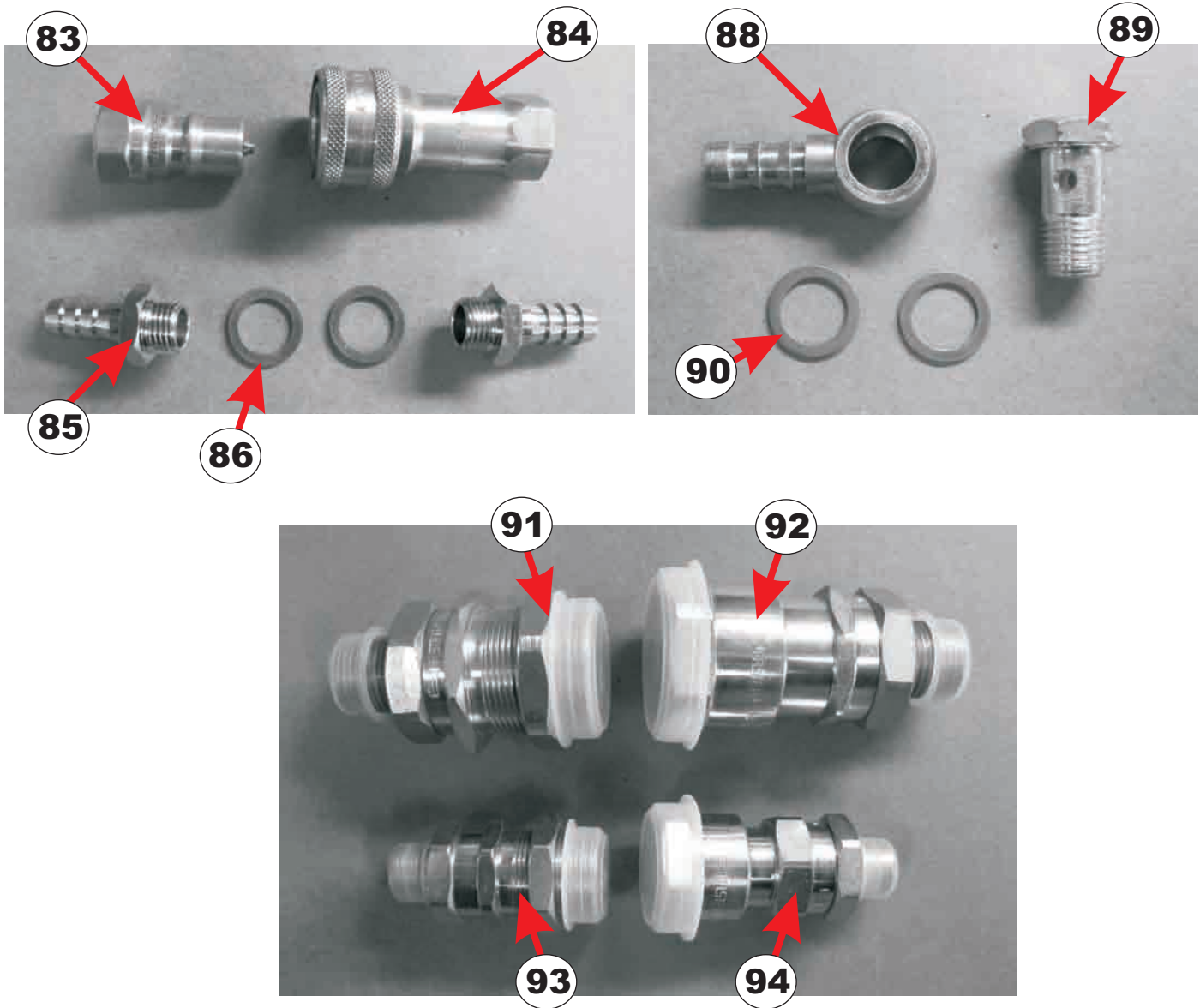
**AIR CONDITIONER SYSTEM**

Item#	Part#	Description
72	SC-M13187	Hose - compressor to condenser
73	SC-I12045	Electric cables for cab - M9540
74	SC-M13200	Cable sheathing - D. 50 - L=2000mm
75	SC-M13201	Plastic spiral to protect cables - L=3000mm
76	SC-M13193	Hose - pump to quick coupling - L=3300mm

Item#	Part#	Description
77	SC-R13144	Support bracket for quick connectors
79	SC-M13189	Hose - dehydrator to quick coupling
80	SC-M13188	Hose - quick coupling to compressor
81	SC-M13190	Hose - condenser to dehydrator
82	SC-M13194	Hose - thermostat valve to quick coupling



**WATER / AC FITTINGS**

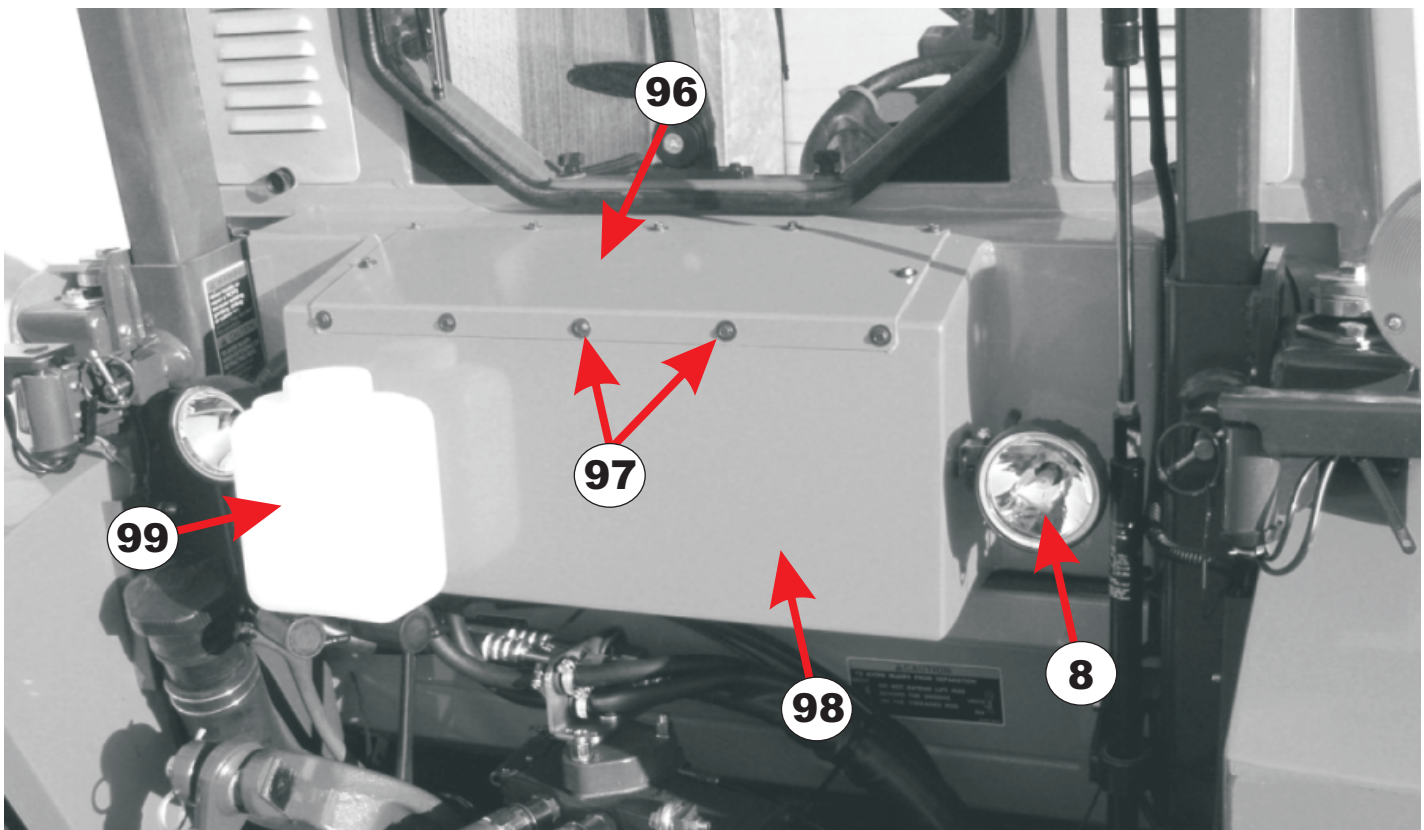


Item#	Part#	Description
83	SC-M10834	Rapid H <sup>2</sup> O connector (male)
84	SC-M10833	Rapid H <sup>2</sup> O connector (female)
85	SC-M13197	Hose adapter fitting - 3/8x10 mm straight
86	SC-M12415	Copper washer - 1/4"
88	SC-M13196	Banjo eye fitting - 14x10mm straight
89	SC-M10363	Banjo bolt - M14x1.5

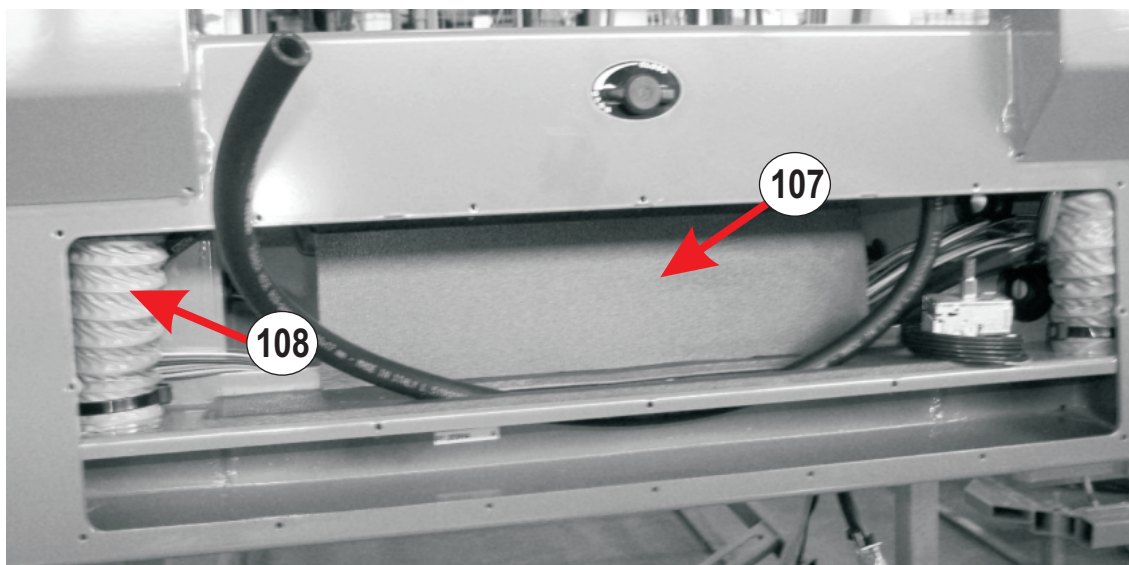
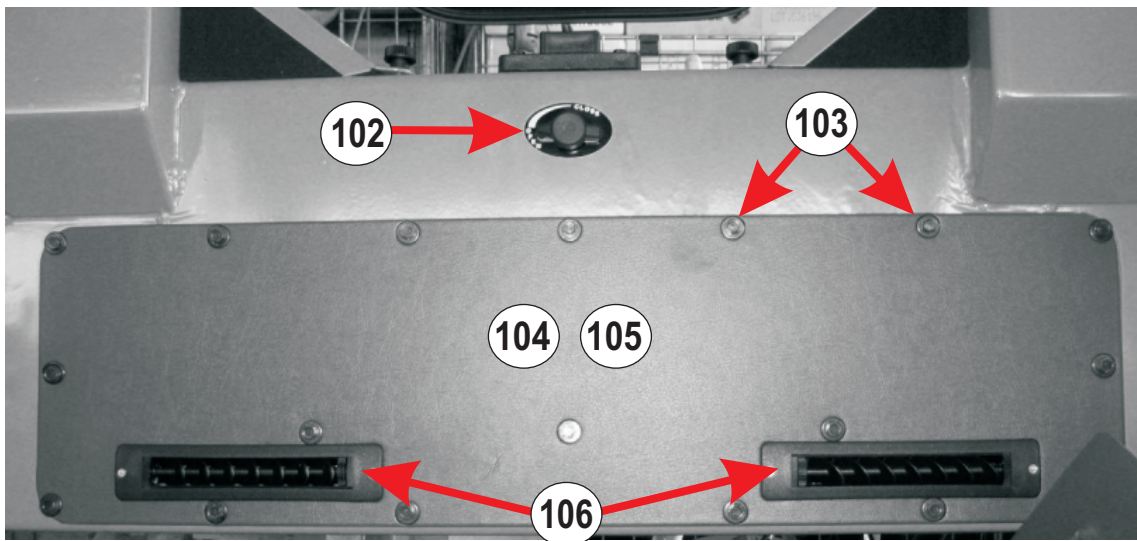
Item#	Part#	Description
90	SC-M12420	Copper washer - 14mm
91	SC-M10813	Rapid A/C connector 12 (male)
92	SC-M10812	Rapid A/C connector 12 (female)
93	SC-M10811	Rapid A/C connector 08 (male)
94	SC-M10810	Rapid A/C connector 08 (female)

**EXTERIOR A/C COMPONENTS / REAR LIGHTS**

Item#	Part#	Description
8	SC-M13000	Rear light fixtures (round) + supports
96	SC-R15252	External cover of A/C condenser box
97	SC-I12062	Kit to secure cover on A/C coil box
98	SC-S10893	A/C system coil box - M9540
99	SC-M11400	Wiper fluid reservoir - 2 pumps- 12V
101	SC-M12622	Light bulb 12V - 55W (for M13000)
102	SC-M12474	FM electrical connector



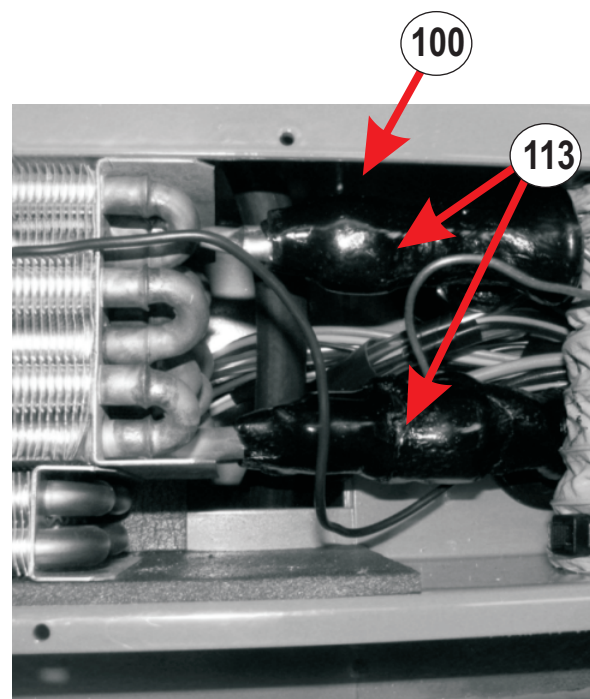
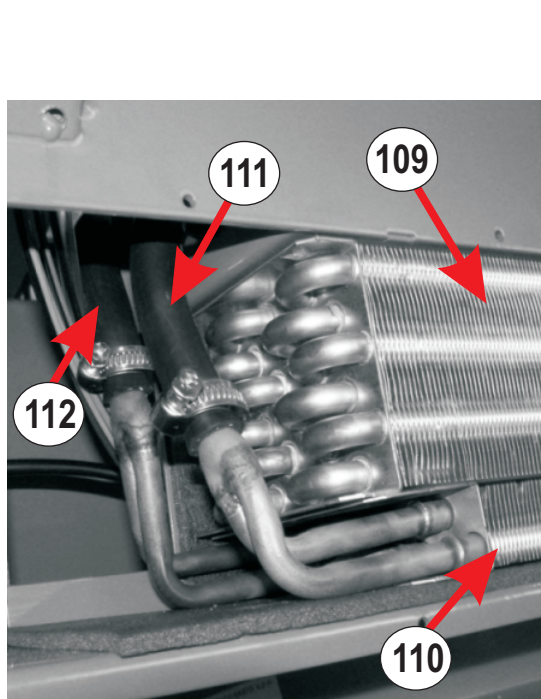
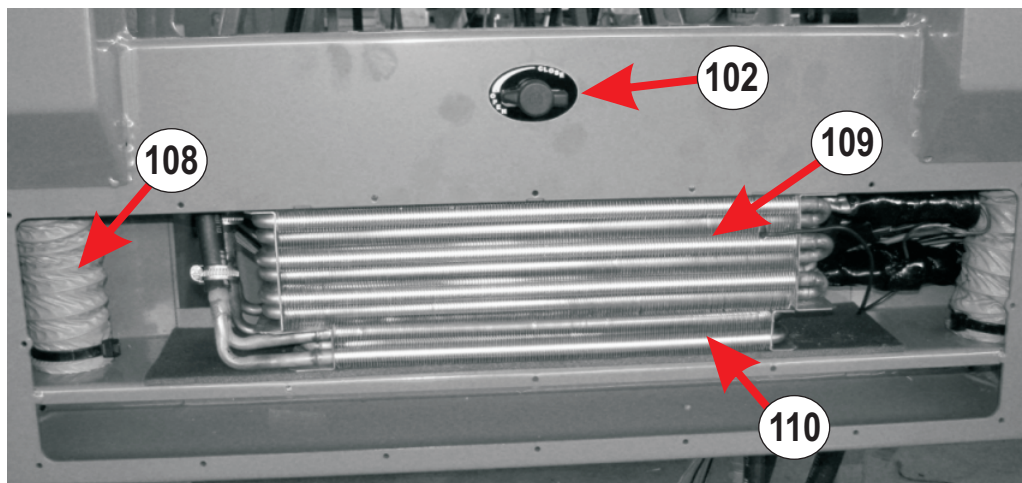
**INTERIOR A/C COMPONENTS**



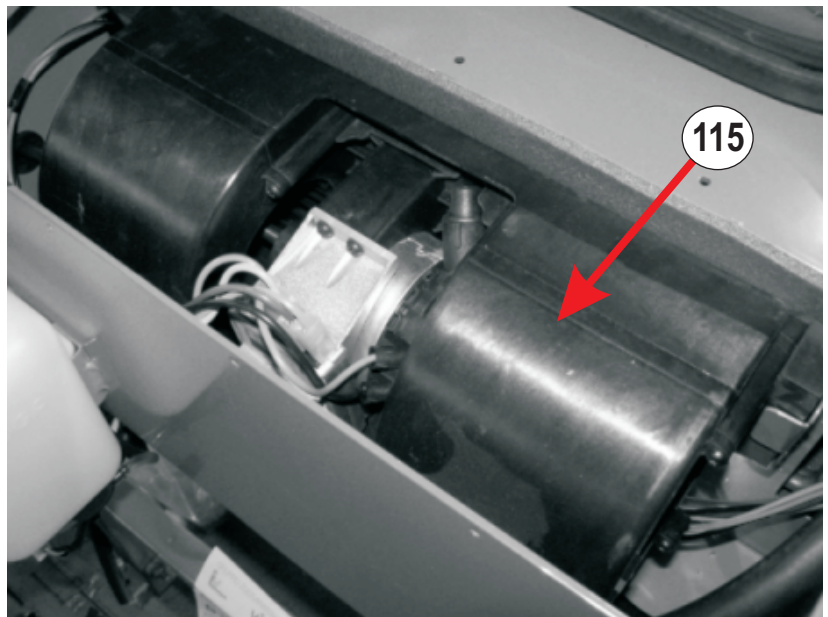
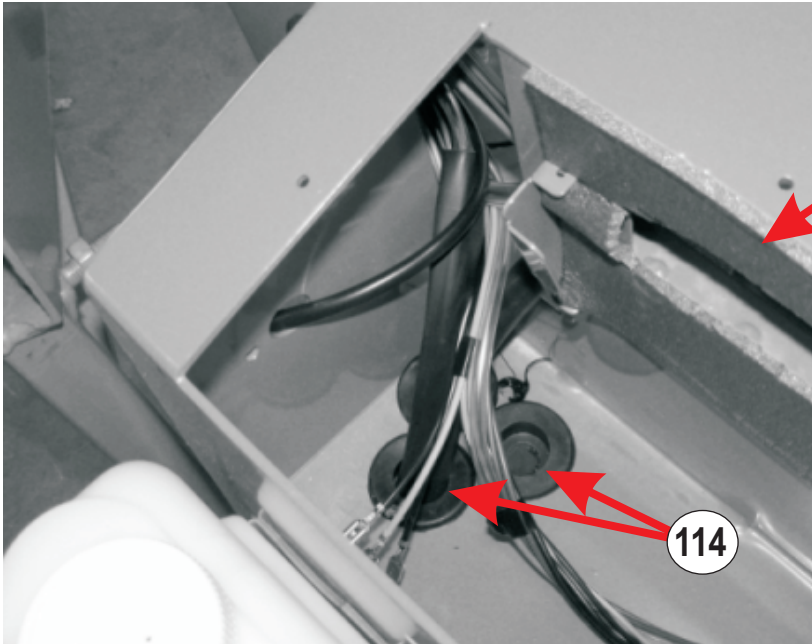
Item#	Part#	Description
102	SC-M10035	Heater (hot water) control valve/knob
103	SC-I12063	Kit to secure interior A/C compartment
104	SC-R15312	Interior coverplate for A/C compartment
105	SC-M13221	Vinyl lining fabric for coverplate
106	SC-M12816	Air vent diffuser - 5 plate - rectangular
107	SC-M13222	Foam lining material (A/C compartment)
108	SC-M13223	Air ducting

**INTERIOR A/C COMPONENTS**

Item#	Part#	Description
100	SC-M10461	TEC valve - N31201-R134A
102	SC-M10035	Heater (hot water) control valve/knob
108	SC-M13223	Air ducting
109	SC-M10866	Evaporator coil assembly - 380x100x80
110	SC-M12513	Heater coil assembly - 300x100x30
111	SC-M13219	Hose - water valve to heater coil
112	SC-M13220	Hose - heater coil to quick coupling
113	SC-M11638	Tubing insulation - 80cm



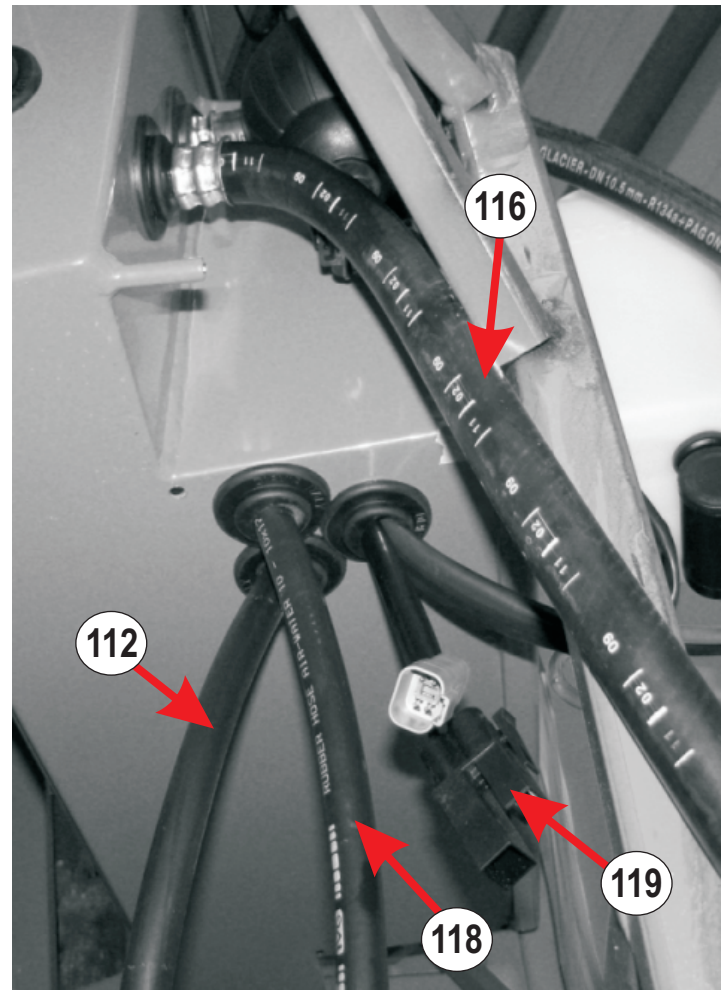
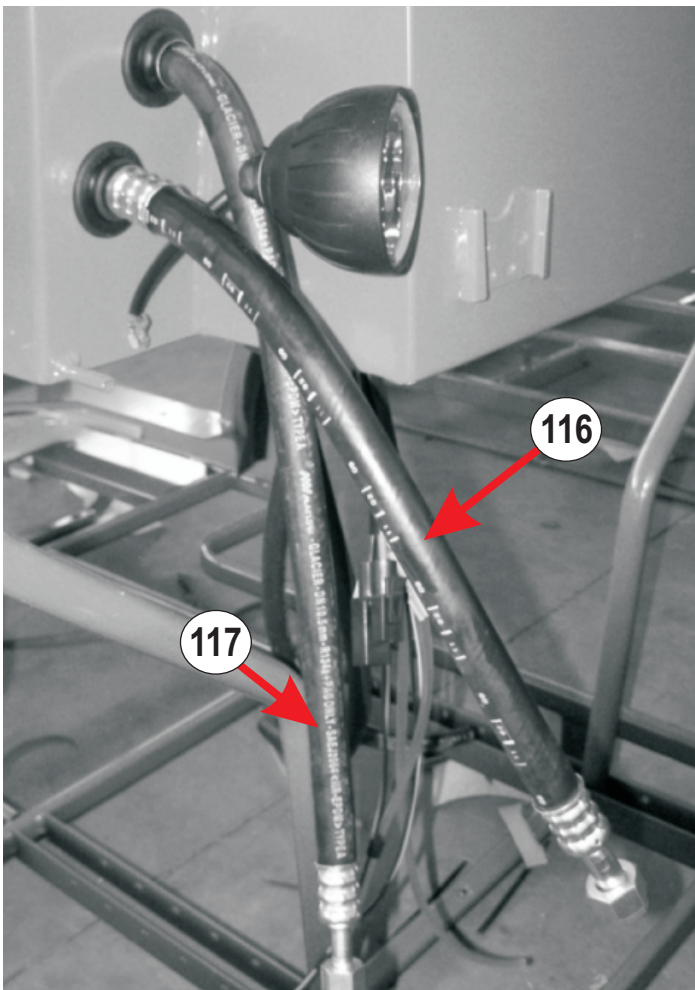
**INTERIOR A/C COMPONENTS**



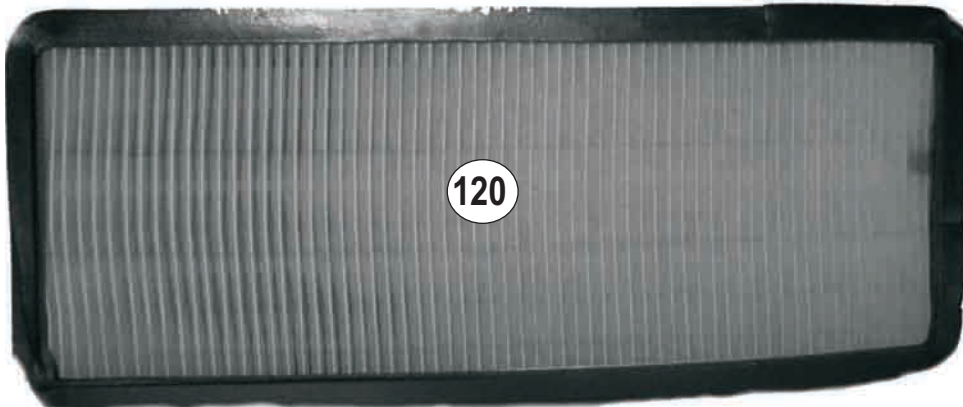
Item#	Part#	Description
107	SC-M13222	Foam lining material (A/C component)
114	SC-M10882	Rubber grommet - D. 36
115	SC-M12918	Electric fan assembly (dual) - 12V

**HOSES**

Item#	Part#	Description
112	SC-M13220	Hose - heater coil to quick coupling
116	SC-M13191	Hose - evaporator to quick coupling
117	SC-M13192	Hose - quick coupler to TEC valve
118	SC-M13218	Hose - quick coupling to water valve
119	SC-I12044	Electric wiring cables (complete set) - M9540



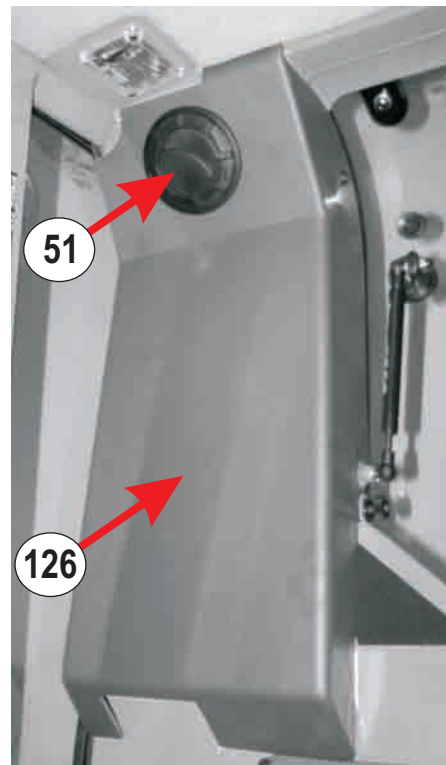
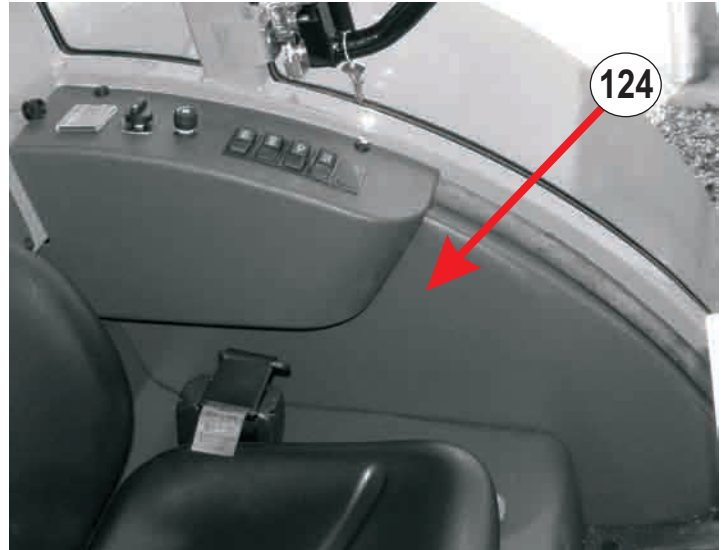
**FILTERS / COVER PLATE**



Item#	Part#	Description
120	SC-M12995	Air filter (paper) - 300x120x50
	SC-M13103	Air filter (activated charcoal) - 300x120x51
121	SC-R15379	Filter cover / grille - M9540
122	SC-I12061	Thumb screw + washer - M6x20

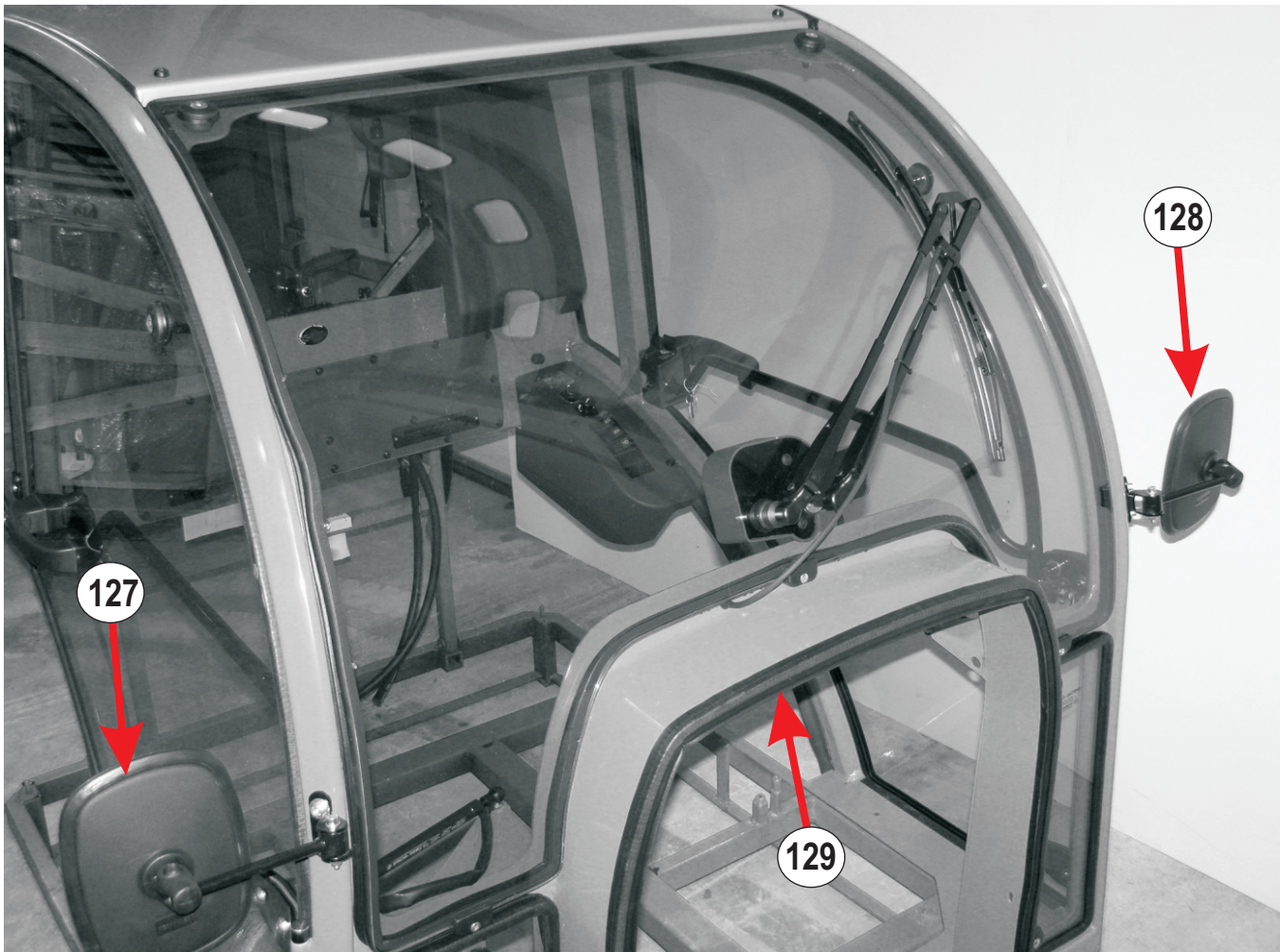
**INTERIOR LINING**

Item#	Part#	Description
51	SC-I10236	Air vent deflector - adjustable (round)
123	SC-M13207	Lining material for fender - M9540 - Right**
124	SC-M13208	Lining material for fender - M9540 - Left**
125	SC-M13209	Lining material for under seat - M9540
126	SC-M13145	Side vertical panel ABS - M9540 - Right**
126	SC-M13146	Side vertical panel ABS - M9540 - Left**



**\*\*Note: RIGHT and LEFT are determined by the operator sitting in the tractor driver's seat**

**MIRRORS / FRONT HOOD GASKET**

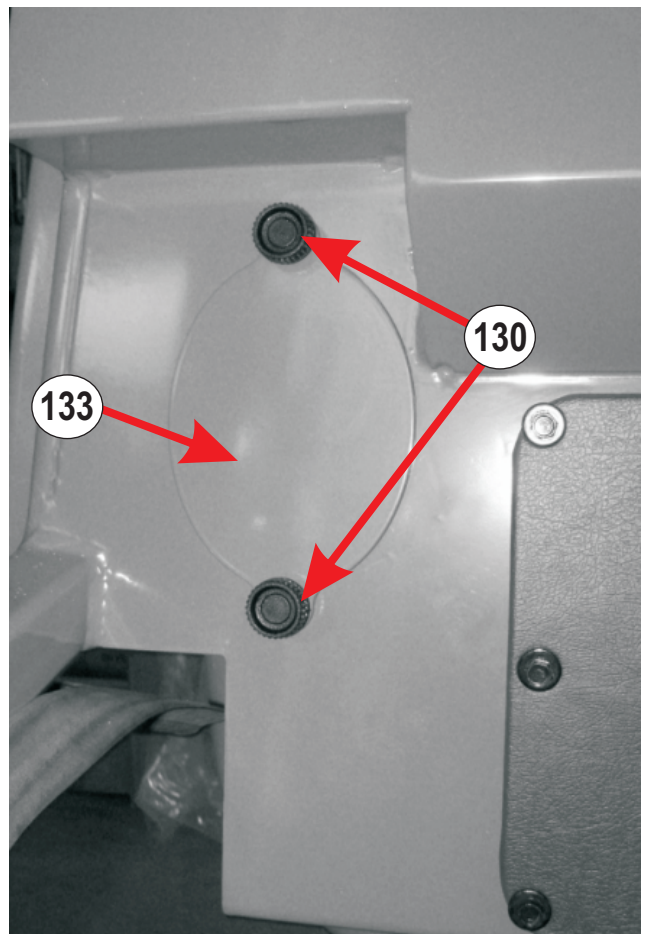
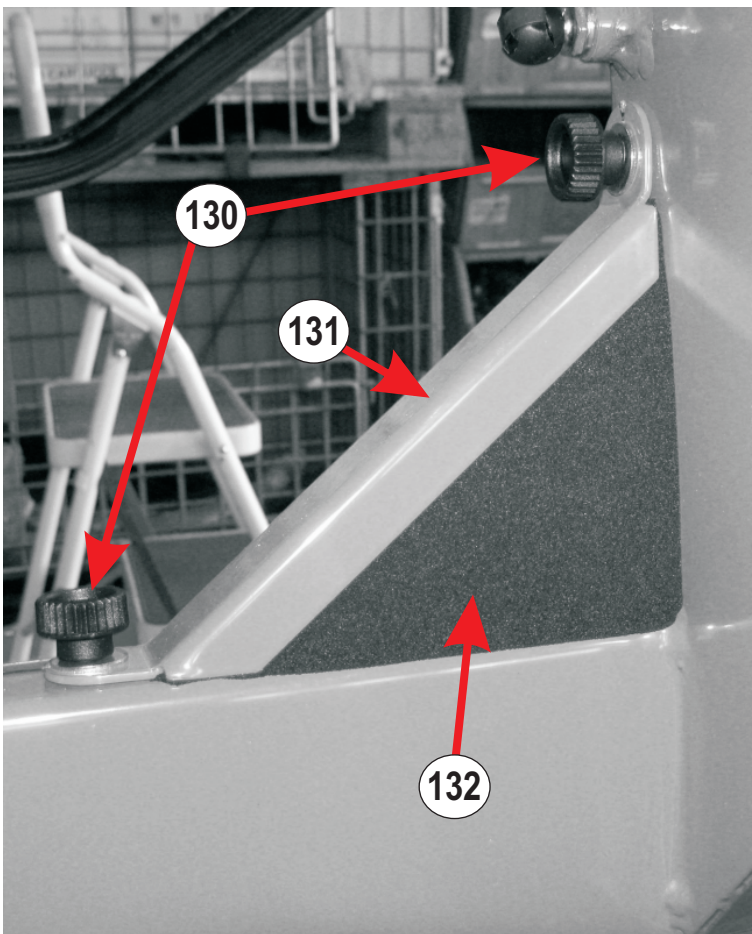


Item#	Part#	Description
127	SC-I11354	Side mirror - Right**
128	SC-I11357	Side mirror - Left**
129	SC-M13205	Gasket/seal for tractor hood - M9540

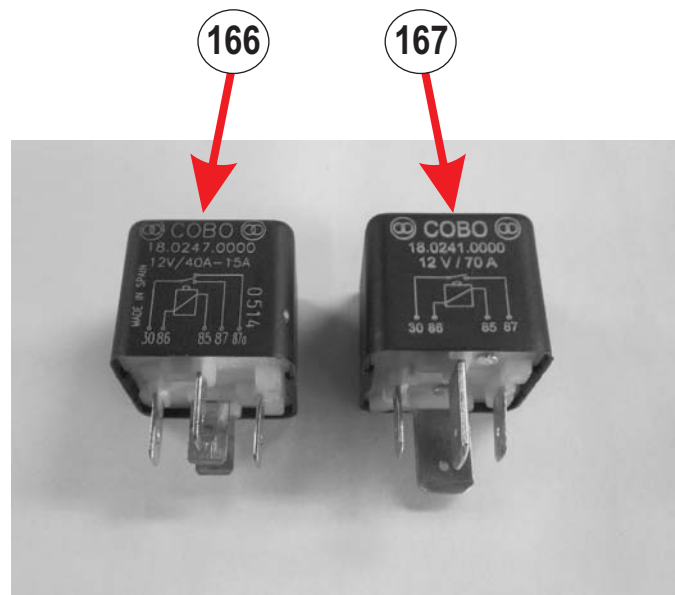
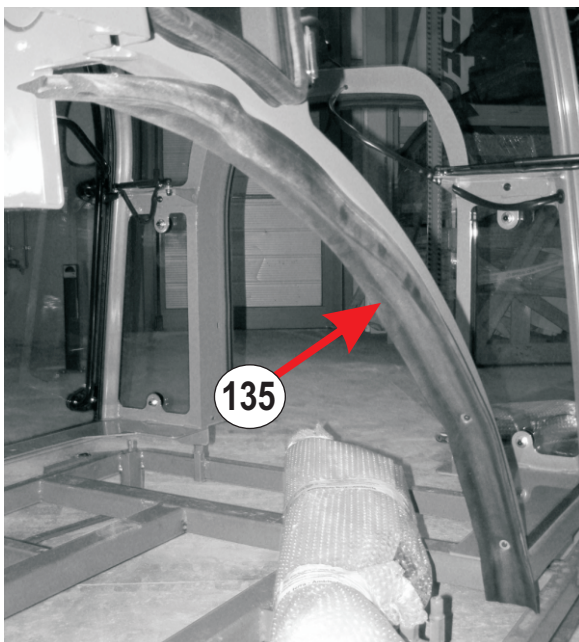
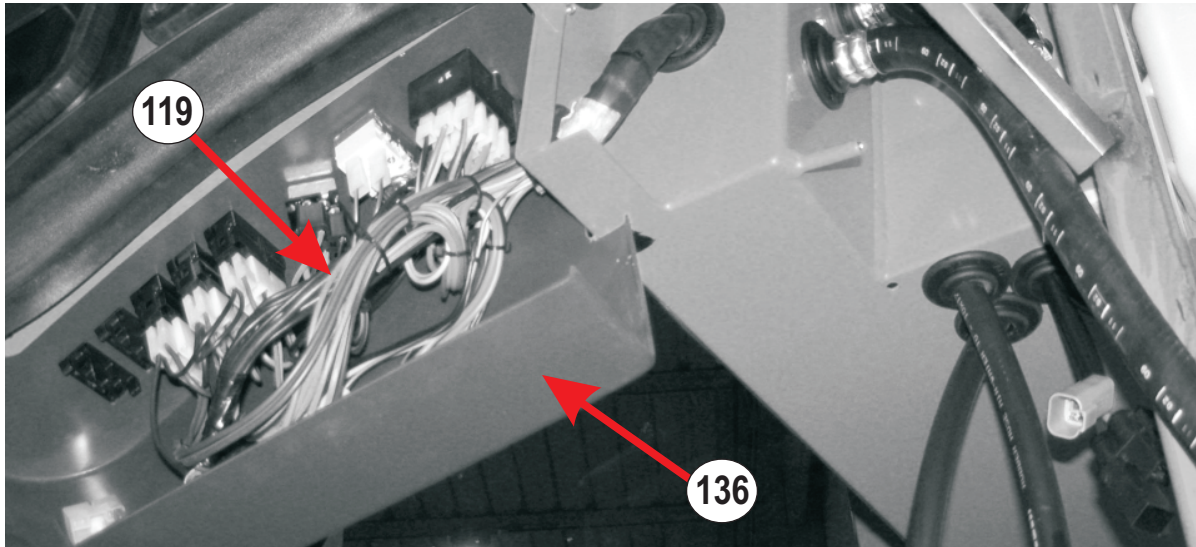
*\*\*Note: RIGHT and LEFT are determined by the operator sitting in the tractor driver's seat*

**MISC. PARTS**

Item#	Part#	Description
130	SC-I12050	Thumb screw - Cap 21mm - M6x12
131	SC-R15367	Metal cross brace for rear window foam
132	SC-M13206	Triangular foam closure
133	SC-R15385	Oval cover plate 20/10



**MISC. PARTS**

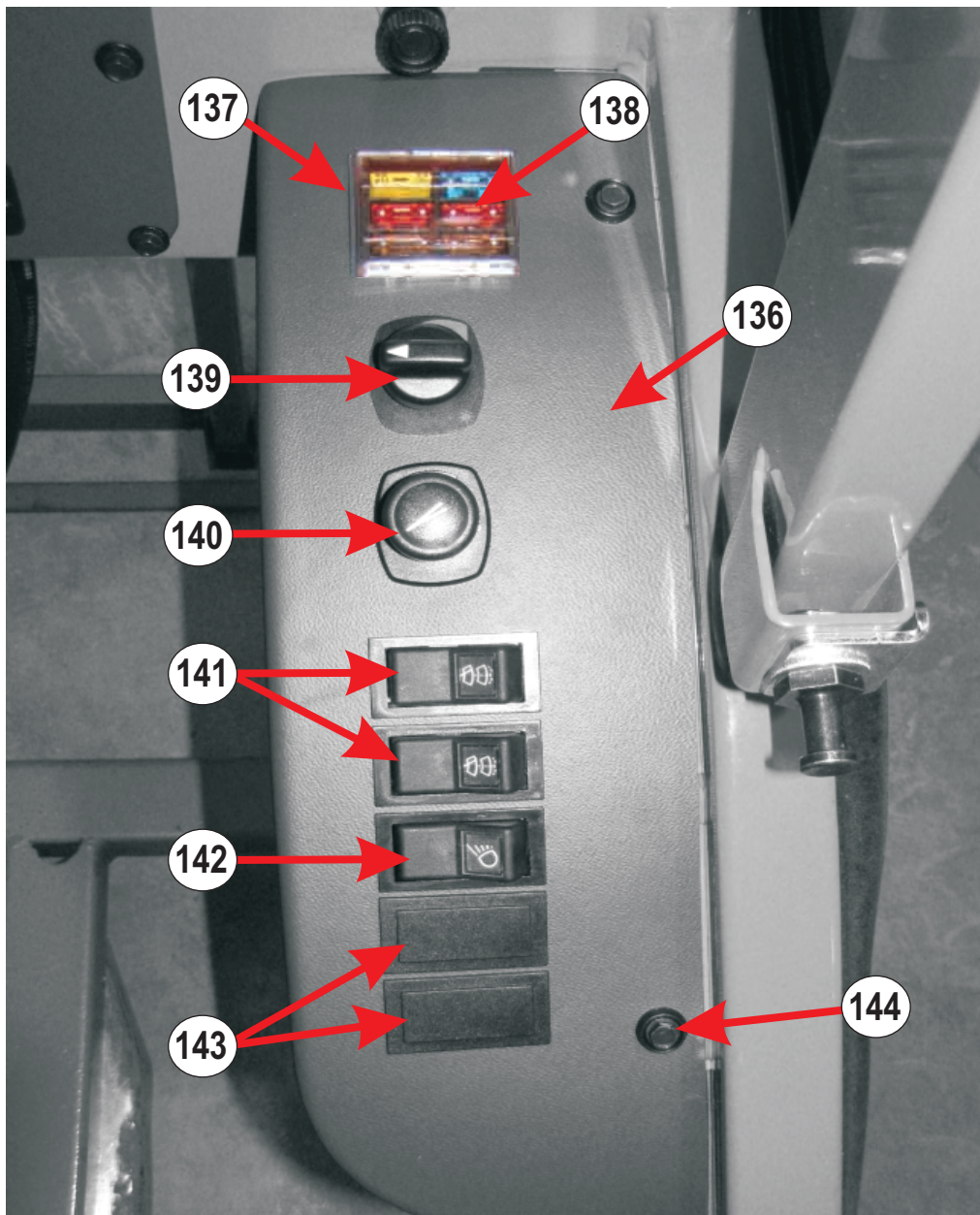


Item#	Part#	Description
119	SC-I12044	Electric wiring cables (complete set) - M9540
135	SC-M13204	Gasket/seal - fender - M9540
136	SC-M13122	Contol panel for Kubota M9540
166	SC-M10513	Relay - 12V/40A
167	SC-M10515	Relay - 12V/70A

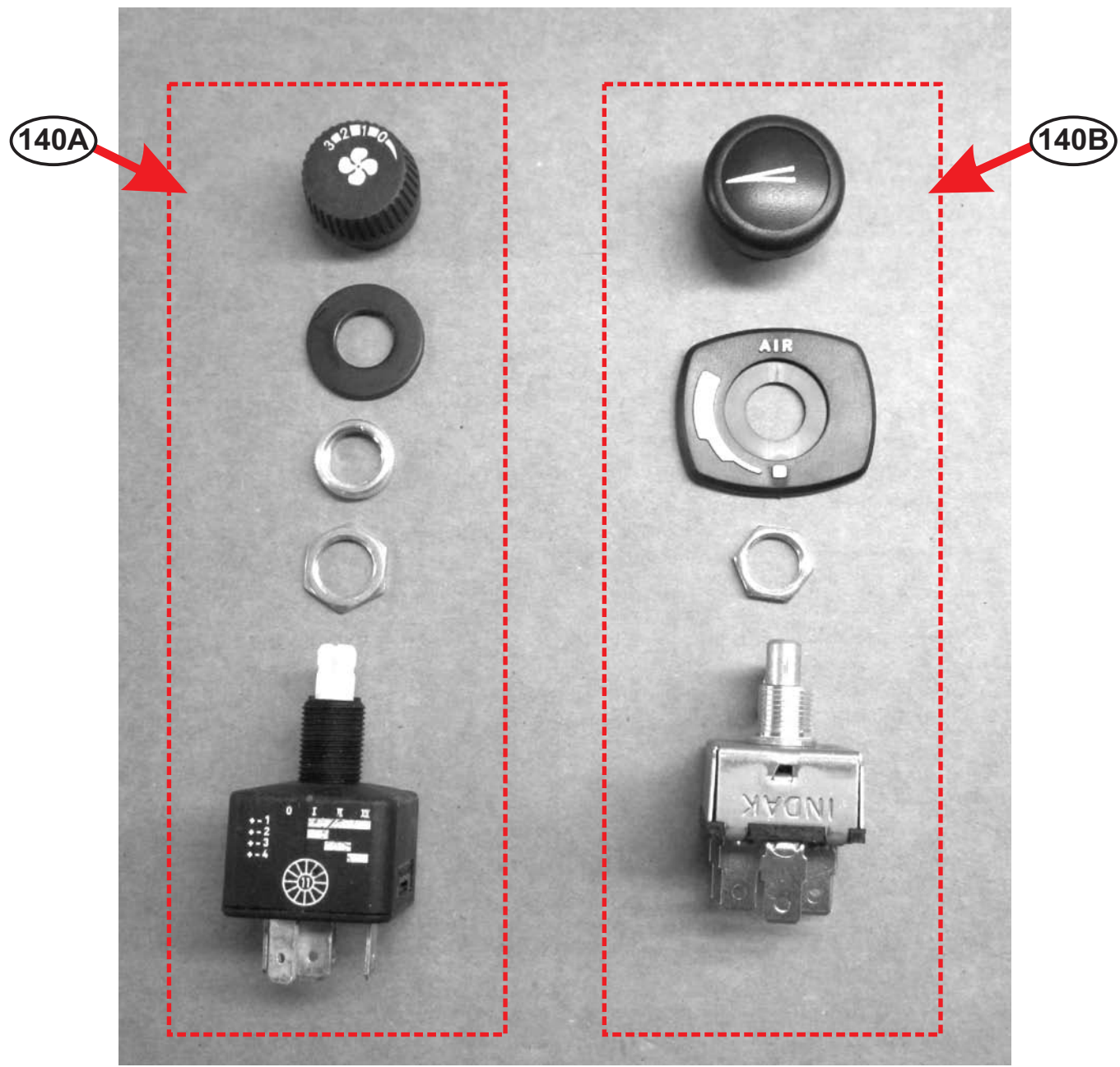
**CONTROL CONSOLE**

Item#	Part#	Description
136	SC-M13122	Control panel for Kubota - M9540
137	SC-M10514	Fuse box assembly
138	SC-M11184	Fuse - 10A (Red)
	SC-M10453	Fuse - 15A (Blue)
	SC-M10632	Fuse - 20A (Yellow)
	SC-M10630	Fuse - 5A (Beige)

Item#	Part#	Description
139	SC-I11587	Thermostat A/C + cable K55 S/P
140	(see Page 25)	Switch - 3-speed fan - round knob
141	SC-M10717	Toggle switch - windshield wiper / sprayer
142	SC-M10715	Toggle switch - rear working lights
143	SC-M12319	Blank toggle switch coverplate
144	SC-I12046	Kit to secure control panel



**A/C FAN SWITCHES**



Item#	Part#	Description
140A	SC-M10378	Fan blower switch (slanted terminal blades)
140B	SC-M12758	Fan blower switch (straight terminal blades)



*For Questions or Technical Assistance Contact:*

## **MG Equipment Co.**

PO Box 655  
Vineburg, CA 95487  
Tel: (707) 996-2605  
Mobile: (510) 813-2046  
[mgequipment@gmail.com](mailto:mgequipment@gmail.com)