

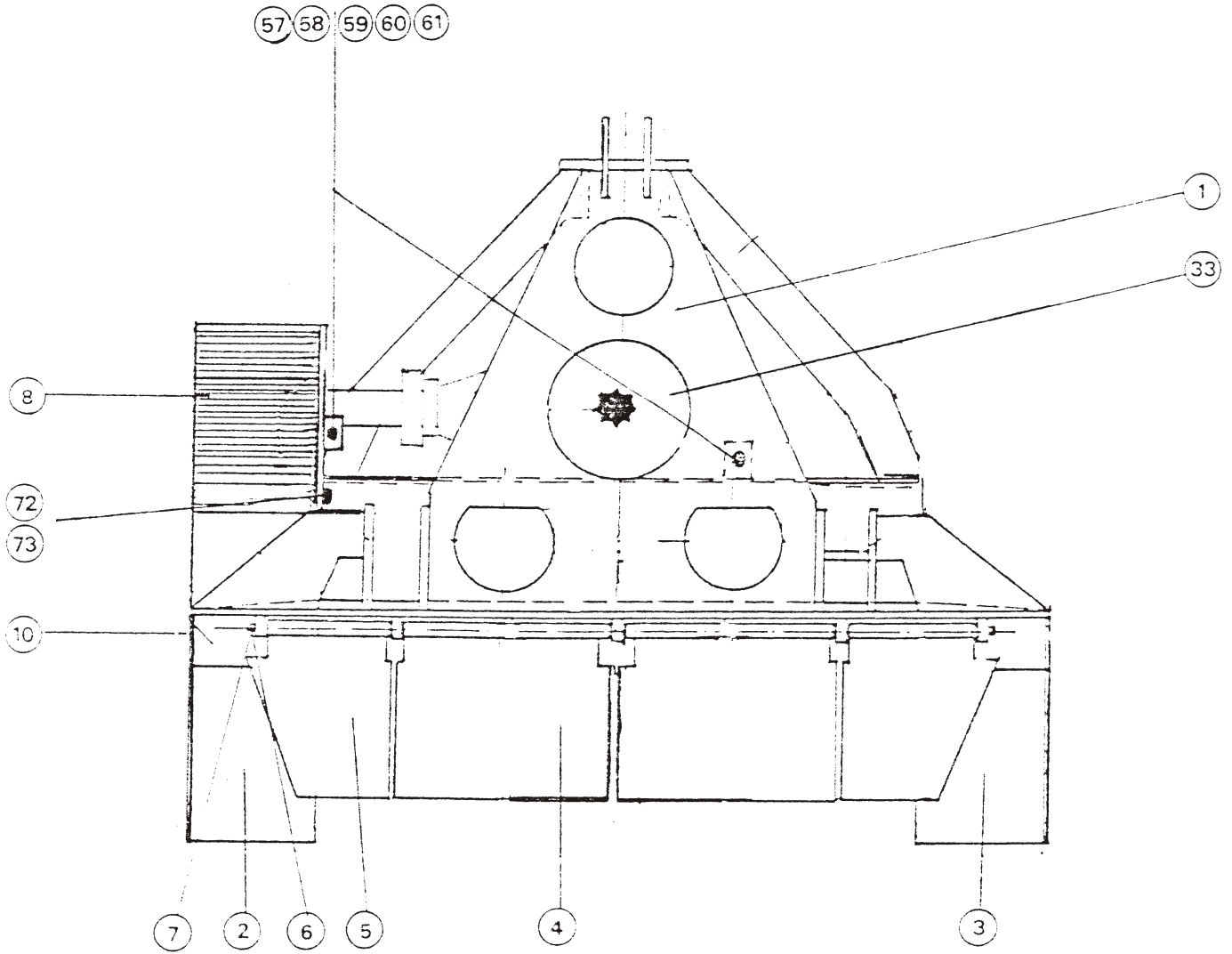
# Stone Crushing Tiller



**REPLACEMENT PARTS**

**Series "F" Tillers**

**Drawing - Figure #1**



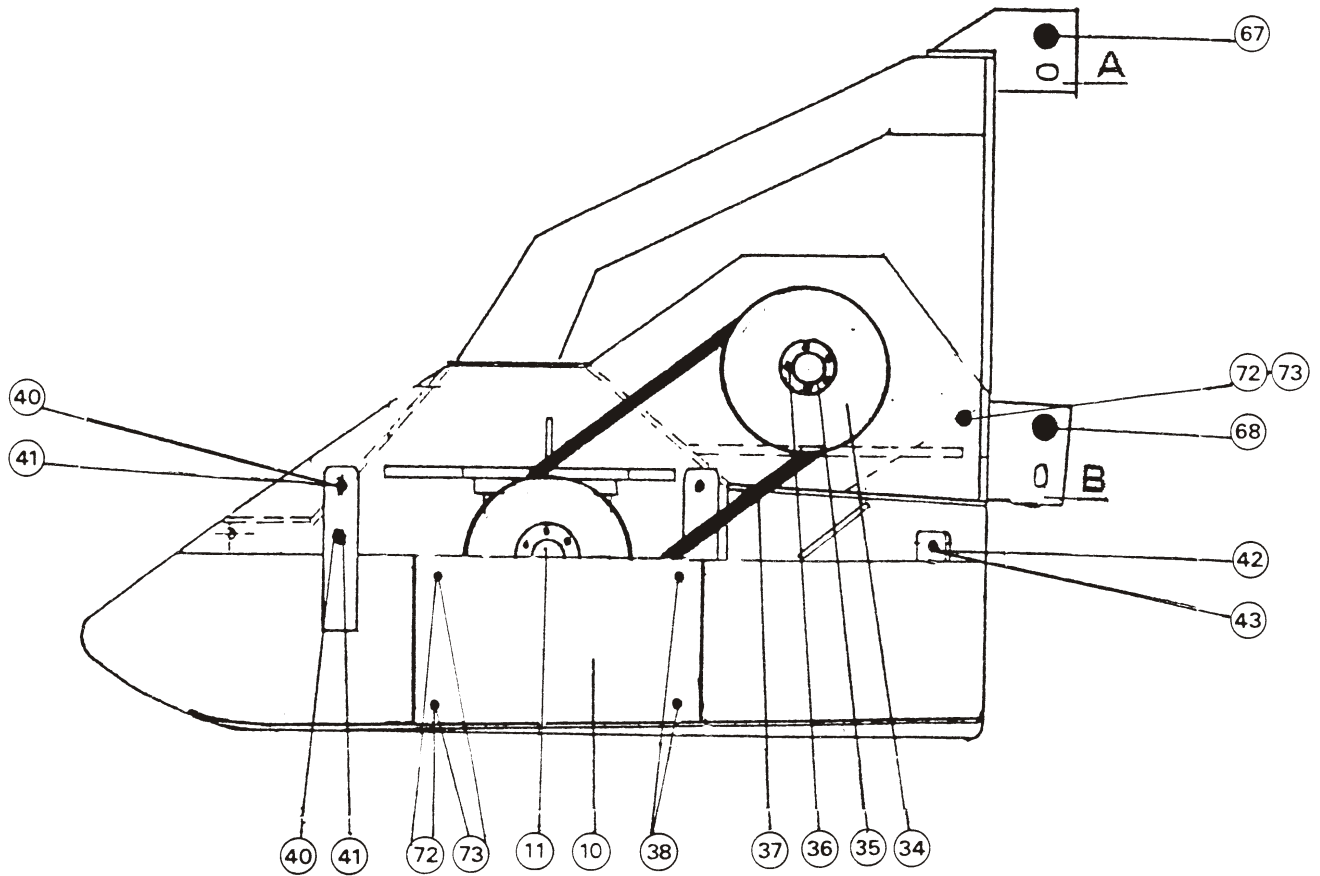
Main Body / Frame - Front View

## ***RINALDI - Parts List - Mod. F-85***

### ***Drawing - Figure #1***

<b>Item#</b>	<b>Part#</b>	<b>Qty</b>	<b>Description</b>
1	F85-1	1	Upper body frame
2	F85-2	1	Lower body frame - right side (rear view)
3	F85-3	1	Lower body frame - left side (rear view)
4	F85-13	2	Rear lower protection flaps (center)
5	F85-14	2	Rear lower protection flaps (left/right sides)
6	F85-15	2	Support shaft
7	015-530	4	Elastic pin
8	F85-5	1	Drive belt protective cover
10	F85-6	1	Drive belt protective cover (lower plate)
33	F85-R1	1	Gear box assembly
57	011-6	2	Piston-pin
58	010-14	2	Bracket / fork
59	F85/11	2	Gear box adjustment bar
60	041-14	4	Nut
61	002-14	2	Self-locking nut
72	001-1230	3	Bolt
73	002-12	3	Self-locking nut
77	408-00	1	PTO shaft

**Drawing - Figure #2**



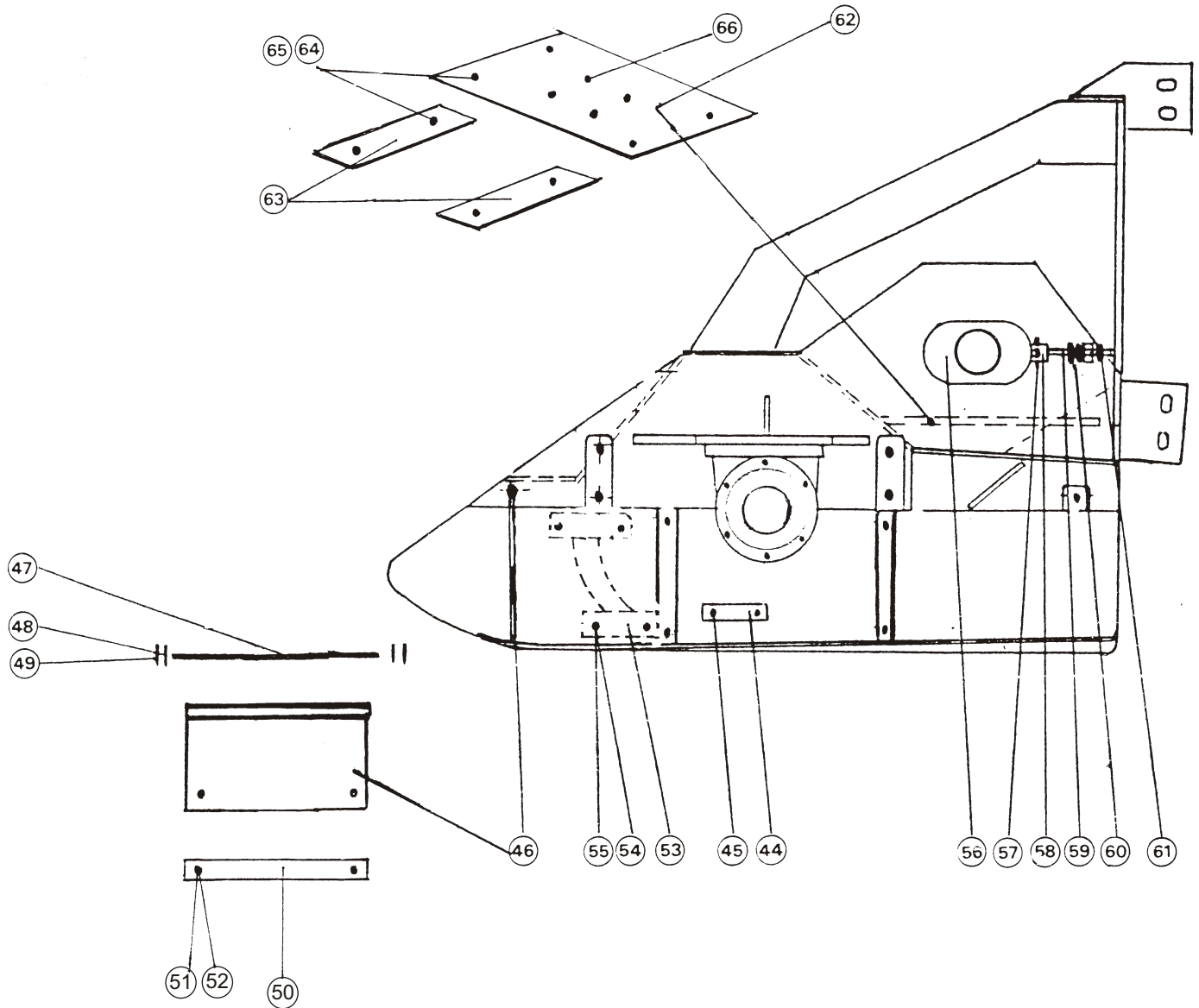
Main Body / Frame - Left Side View

## ***RINALDI - Parts List - Mod. F-85***

### ***Drawing - Figure #2***

<b>Item#</b>	<b>Part#</b>	<b>Qty</b>	<b>Description</b>
10	F85-6	1	Drive belt protective cover (lower plate)
11	F85-4	1	Main rotor shaft
34	037/M/F85/27	1	Drive pulley
35	035/2	1	Pulley block
36	016/830	1	Bolt
37	059-1	6	Drive belt
38	001-1230	2	Bolt
40	001-1650	8	Bolt
41	002-16	8	Self-locking nut
42	001-1440	2	Bolt
43	002-14	2	Self-locking nut
67	011-07	1	Upper 3-point hitch point
68	001-08	2	Lower 3-point hitch point
72	001-1230	3	Bolt
73	002-12	3	Self-locking nut

**Drawing - Figure #3**



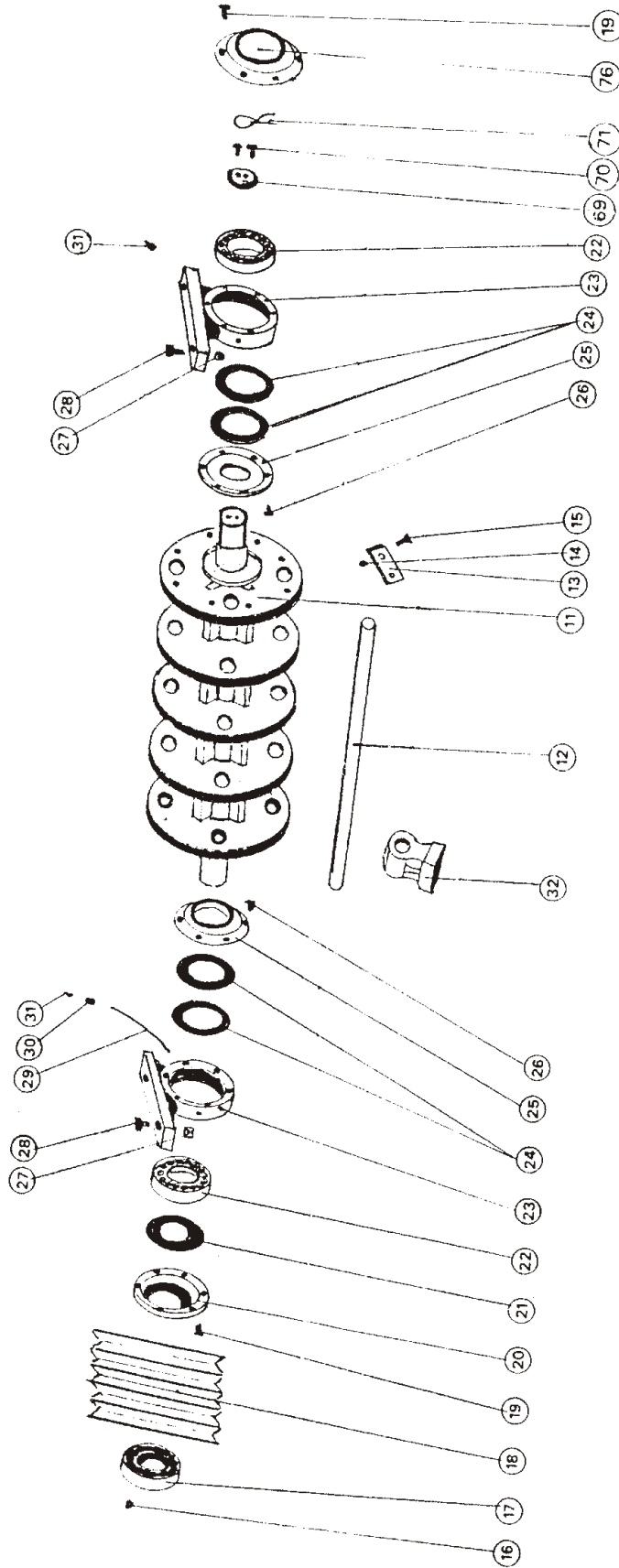
Main Body / Frame - Left Side View

## ***RINALDI - Parts List - Mod. F-85***

### ***Drawing - Figure #3***

<b>Item#</b>	<b>Part#</b>	<b>Qty</b>	<b>Description</b>
44	F85/7	2	Belt protective cover
45	001-1020	4	Bolts
46	F85/16	1	Rear protection shield
47	F85/17	1	Support shaft for rear shield
48	008-18	2	Washers
49	015-530	2	Elastic pin
50	F85/18	1	Ballast
51	001-1650	2	Bolt
52	002-16	2	Self-locking nut
53	F85/5/15	1	Grate
54	001-1645	8	Bolts
55	002-16	8	Self-locking nut
56	F85/10	1	Gear box guide
57	011-6	2	Piston-pin
58	010-14	2	Bracket / fork
59	F85/11	2	Gear box adjustment bar
60	041-14	4	Nut
61	002-14	2	Self-locking nut
62	F85/8	1	Gear box support plate
63	F85/9	2	Gear box lower support plate
64	001-1660	4	Bolt
65	002-16	4	Self-locking nut
66	001-1635	4	Bolt

**Drawing - Figure #4**



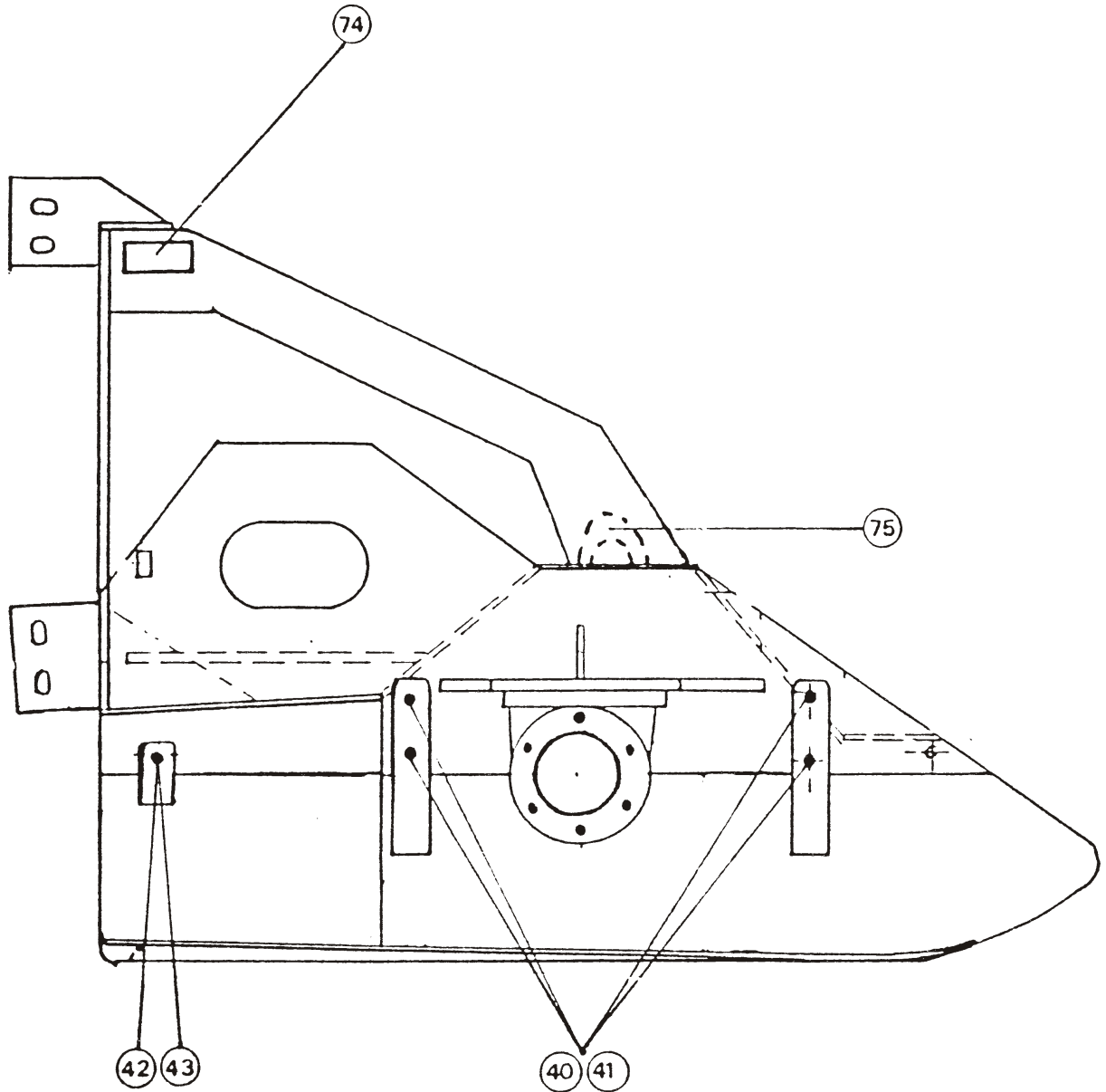
Main Shaft / Pulleys / Bearings

## ***RINALDI - Parts List - Mod. F-85***

### ***Drawing - Figure #4***

<b>Item#</b>	<b>Part#</b>	<b>Qty</b>	<b>Description</b>
11	F85-4	1	Main rotor shaft
12	F85-24	4	Support shaft for hammers
13	F85-25	4	Blocking plate for support shaft (for part# F85-25)
14	042-1235	8	Bolt
15	002-12	8	Self-locking nut
16	016-1030	9	Bolt
17	035-1	1	Pulley block
18	037-C-F85-26	1	Pulley
19	001-1020	12	Bolt
20	F85-21	1	Exterior cover/seal - right side (rear view)
21	020-2	1	Rubber bearing oil seal
22	019-1	2	Roller bearing
23	F85-19	2	Bearing support/block
24	020-1	4	Rubber bearing oil seal
25	F85-20	2	Interior cover/seal
26	001-1020	12	Bolt
27	002-20	4	Self-locking nut
28	001-2070	4	Bolt
29	007-30	1	Grease fitting extension tube
30	057-1	1	Connection point (grease fitting)
31	055-1	2	Grease fitting (zerk)
32	024-05	12	Hammer
69	F85/23	1	Washer
70	001-1430	2	Bolt
71	100-03	1	Cotter pin (steel wire)
76	F85/23	1	Exterior cover/seal - Left side (rear view)

**Drawing - Figure #5**



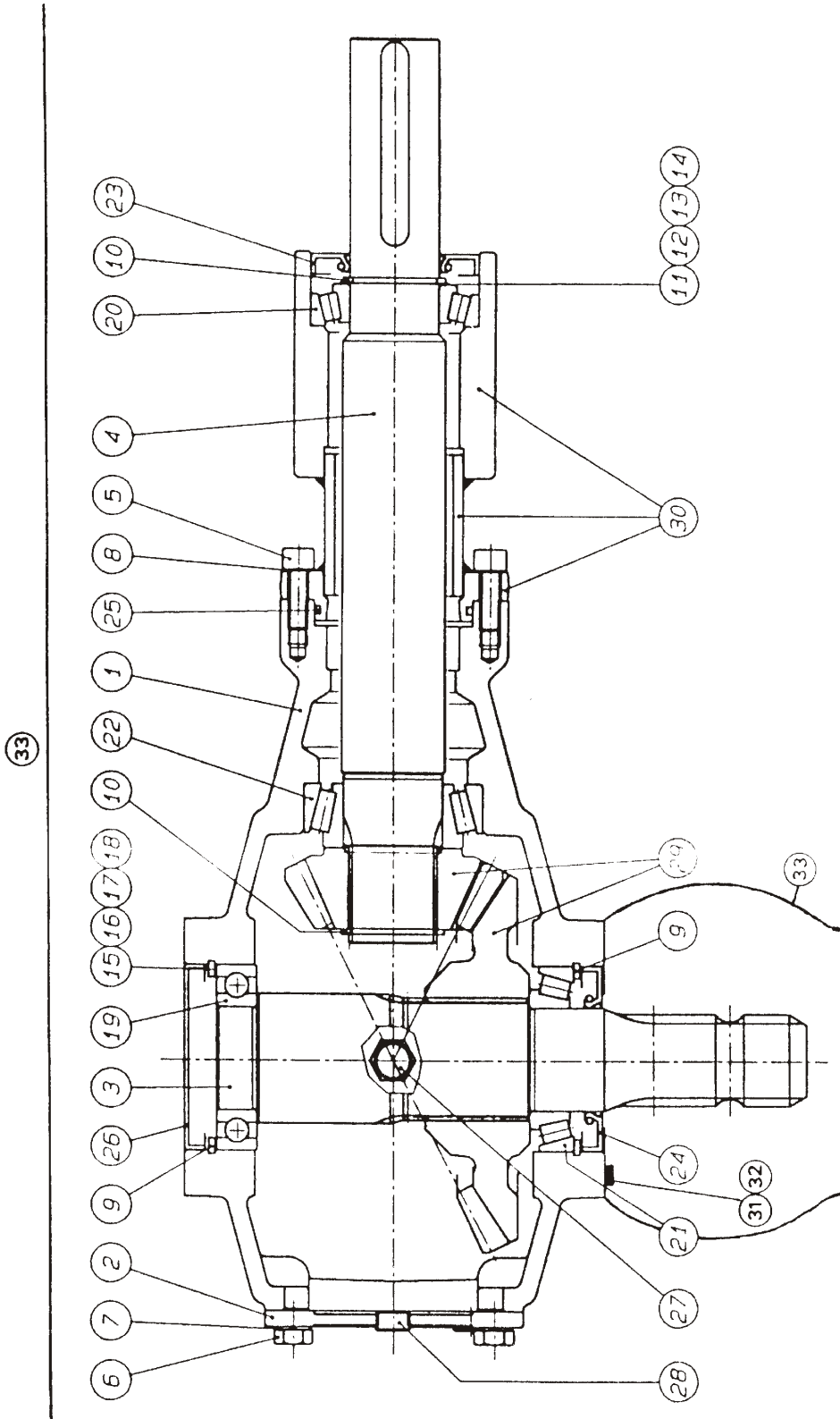
Main Body / Frame - Right Side View

## ***RINALDI - Parts List - Mod. F-85***

### ***Drawing - Figure #5***

<b>Item#</b>	<b>Part#</b>	<b>Qty</b>	<b>Description</b>
<b>40</b>	001-1650	8	Bolt
<b>41</b>	002-16	8	Self-locking nut
<b>42</b>	001-1440	2	Bolt
<b>43</b>	002-14	2	Self-locking nut
<b>74</b>	101-01	1	Manufacture ID plate
<b>75</b>	102-01	1	Lifting point plate

Drawing - Figure #6



Gear Box Assembly

## ***RINALDI - Parts List - Mod. F-85***

### ***Drawing - Figure #6***

<b>Item#</b>	<b>Part#</b>	<b>Qty</b>	<b>Description</b>
33	F85-R1	1	Gear box assembly
33-01	F85/R1	1	Gear box housing
33-02	F85/R2	1	Gear box cover
33-03	F85/R3	1	Gear shaft
33-04	F85/R4	1	Gear shaft
33-05	F85/R5	4	Bolts
33-06	F85/R6	8	Bolts
33-07	F85/R7	8	Washer
33-08	F85/R8	4	Locking washer
33-09	F85/R9	2	Retaining ring
33-10	F85/R10	2	Retaining ring
33-11	F85/R11	-	Spacing washer
33-12	F85/R12	-	Spacing washer
33-13	F85/R13	-	Spacing washer
33-14	F85/R14	-	Spacing washer
33-15	F85/R15	-	Spacing washer
33-16	F85/R16	-	Spacing washer
33-17	F85/R17	-	Spacing washer
33-18	F85/R18	-	Spacing washer
33-19	F85/R19	1	Bearing
33-20	F85/R20	1	Bearing
33-21	F85/R21	1	Bearing
33-22	F85/R22	1	Bearing
33-23	F85/R23	1	Oil seal
33-24	F85/R24	1	Oil seal
33-25	F85/R25	1	Oil seal
33-26	F85/R26	1	Oil seal plug
33-27	F85/R27	1	Oil plug
33-28	F85/R28	3	Oil plug
33-29	F85/R29	1	Conical gear set
33-30	F85/R30	1	Extension tube
33-31	F85/R31	4	Washer
33-32	F85/R32	4	Bolt
33-33	F85/R33	1	Safety cover (PTO connection)