

Rotary Tillers

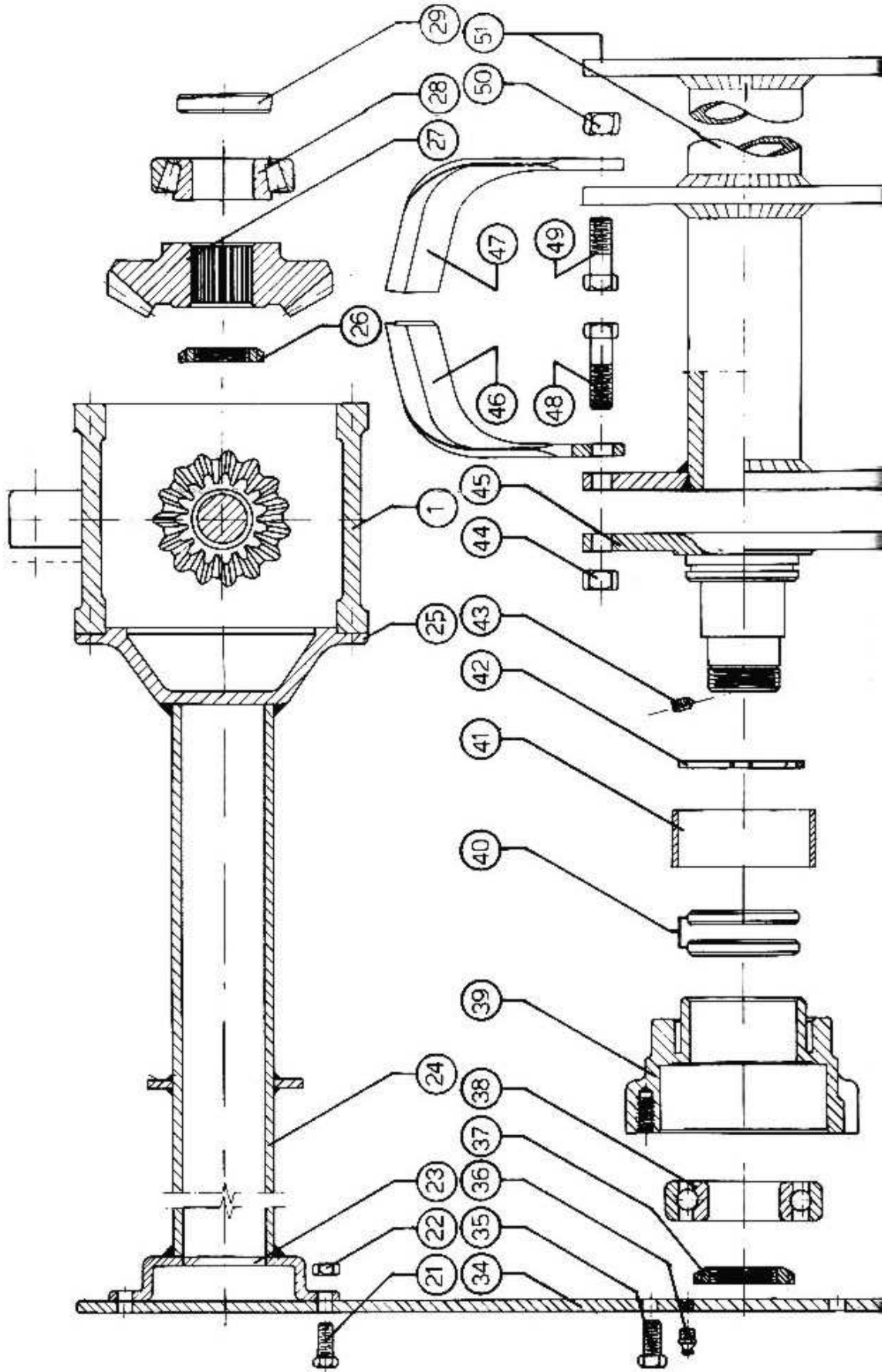


Series TL

REPLACEMENT PARTS

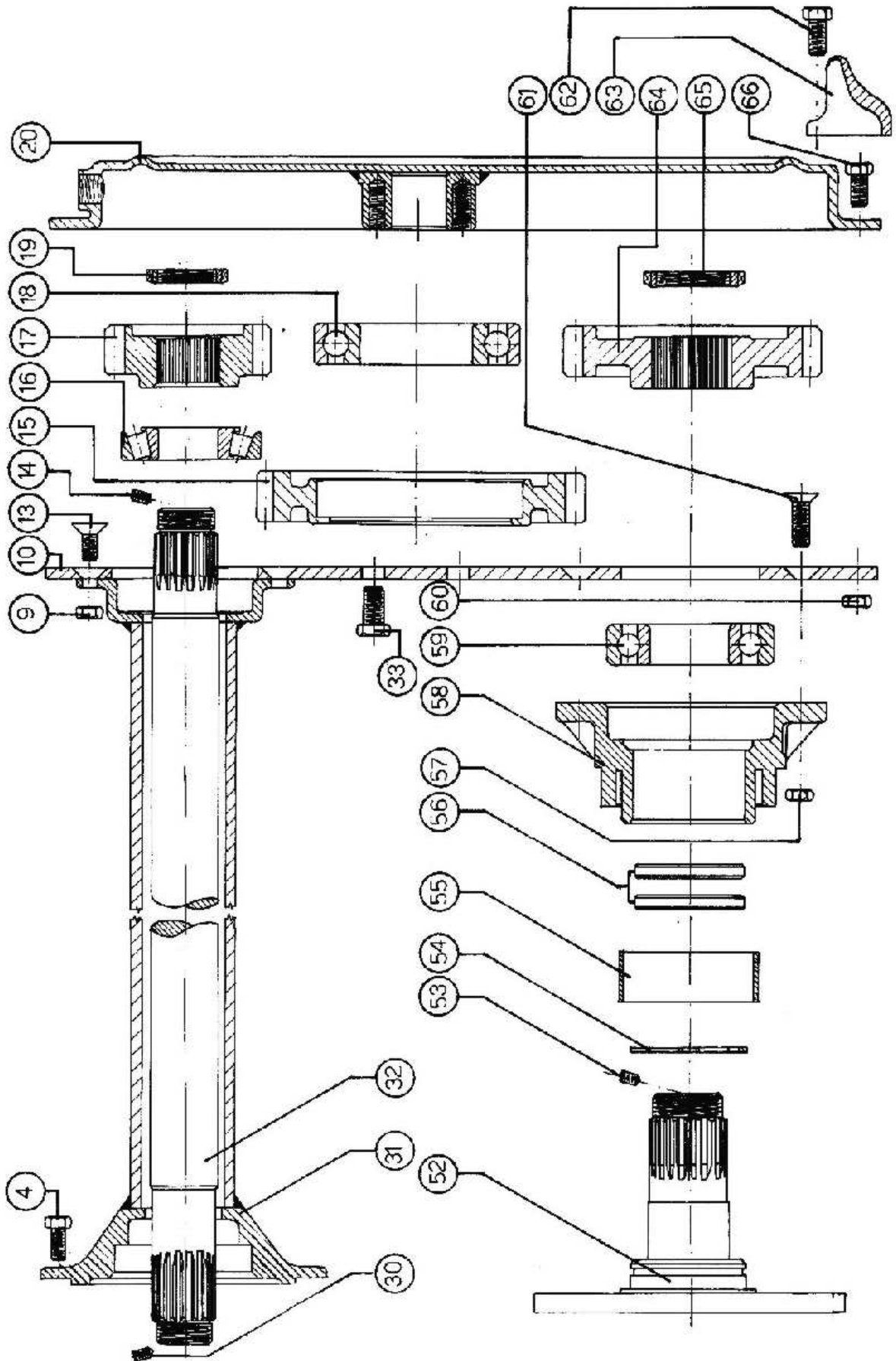
ROTARY TILLER - SERIES TL

Main Gearbox + Tiller Support Shaft

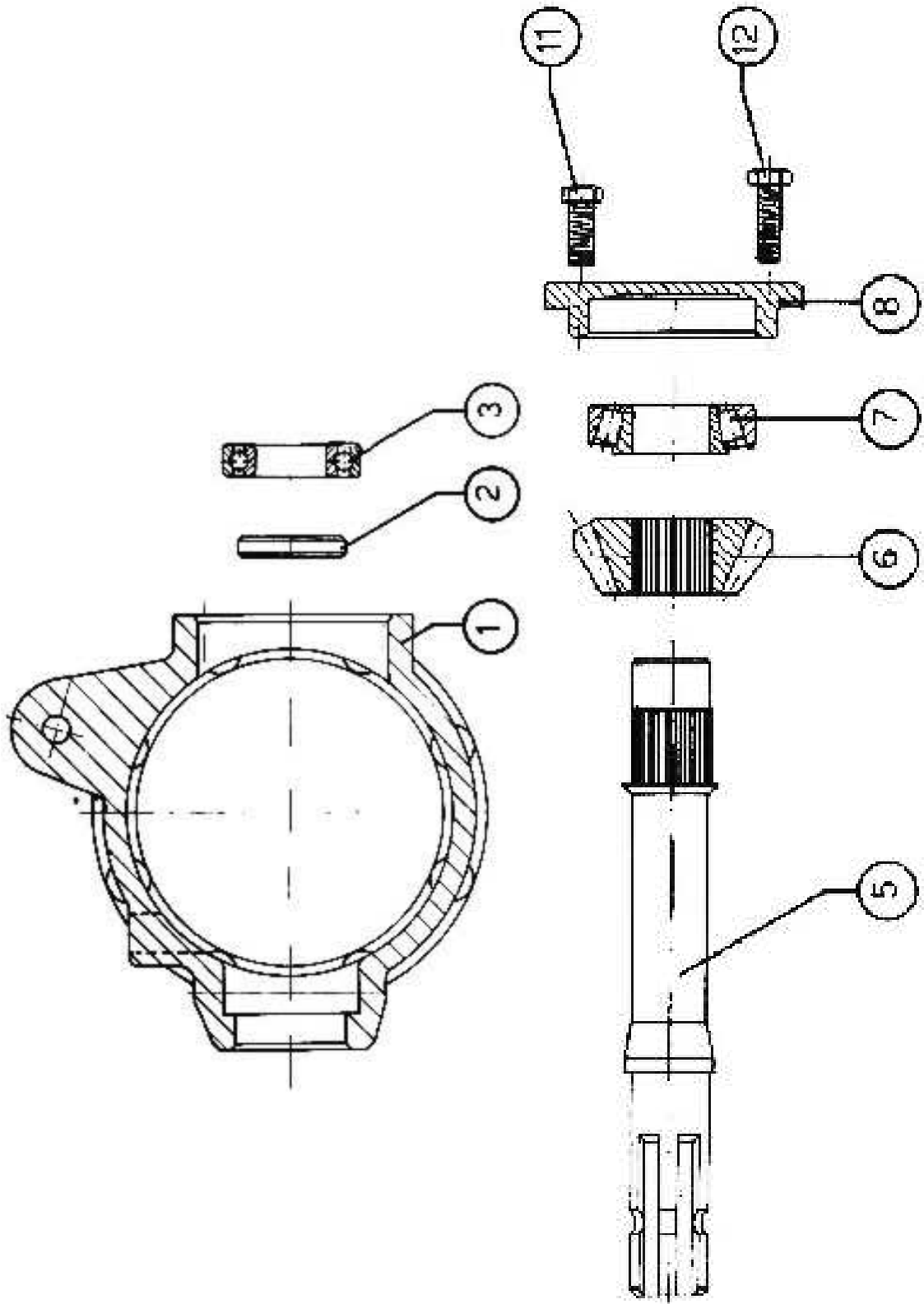


ROTARY TILLER - SERIES TL

Side Gearbox



Main Gearbox + PTO Spline Shaft



ROTARY TILLER - SERIES TL

Fig#	Part#	Description
1	MT-2001	Gearbox - TL
2	MT-2002	Oil seal 58-35 - for PTO driveshaft
3	MT-2003	Bearing 6207 - PTO driveshaft
4	MT-2004	Bolt 10 x 25 mm
5	MT-2005	Driveshaft - PTO
6	MT-2006	Gear
7	MT-2007	Bearing 30307 - gearbox cover
8	MT-2008	Gearbox cover - TL
10	MT-2010	Tiller side cover - transmission side
11	MT-2011	Bolt 12 x 40 mm
12	MT-2011	Bolt 12 x 40 mm
13	MT-2013	Bolt TSV 12 x 25 mm + nut
14	MT-2014	Set screw M8 x 14 mm
15	MT-2015	Gear - central transmission box
16	MT-2016	Bearing 30309 - upper transmission box
17	MT-2017	Gear - upper transmission box
18	MT-2018	Bearing 6217 (spherical) - central transmission box
19	MT-2019	Lock nut KM8 - upper transmission gear
20	MT-2020	Transmission cover - TL
21	MT-2021	Bolt 10 x 25 mm
22	MT-2022	Nut 10 mm
23	MT-2023	Support flange (outer side cover)
24	MT-2024	Transmission tube (hollow) - TL (length per model#)
25	MT-2025	Support flange (gear box side)
26	MT-2019	Lock nut KM 8 - upper transmission gear
27	MT-2027	Gear
28	MT-2016	Bearing 30309 - gear box
29	MT-2029	Oil seal 45-65 - gear box
30	MT-2014	Set screw M8 x 14 mm
31	MT-2031	Support flange (gear box - transmission side)
32	MT-2032	Transmission shaft (length per model#)
33	MT-2033	Bolt 14 x 30
34	MT-2034	Tiller side cover - outer side
35	MT-2004	Bolt 10 x 25 mm
36	MT-2036	Grease fitting
37	MT-2037	Lock nut KM 10 LEFT - tiller shaft support flange (outer side)
38	MT-2038	Bearing 6310 - tiller shaft support flange (outer side)
39	MT-2039	Collar - tiller support shaft (outer side)
40	MT-2040	Oil seal 58-80
41	MT-2041	Spacing collar
42	MT-2042	Split ring collar

ROTARY TILLER - SERIES TL

Fig#	Part#	Description
43	MT-2014	Set screw M8 x 14 mm
44	MT-2044	Nut 14 mm
45	MT-2045	Support flange + stem (outer side cover)
46	MT-2046N	Tiller tine - series TL (standard) - LEFT
46	MT-2046S	Tiller tine - series TL (square angle) - LEFT
46	MT-2046T	Tiller tine - series TL (rounded angle) - LEFT
47	MT-2047N	Tiller tine - series TL (standard) - RIGHT
47	MT-2047S	Tiller tine - series TL (square angle) - RIGHT
47	MT-2047T	Tiller tine - series TL (rounded angle) - RIGHT
48	MT-2048	Bolt + nut - 14 x 50 mm
49	MT-2049	Bolt + nut - 14 x 37 mm
50	MT-2044	Nut 14 mm
51	MT-2051	Tiller tine support shaft + flanges (length per model#)
52	MT-2052	Support flange + stem (transmission side)
53	MT-2014	Set screw M8 x 14 mm
54	MT-2042	Split ring collar
55	MT-2055	Spacing collar
56	MT-2040	Oil seal 58-80
57	MT-2057	Nut 10 mm
58	MT-2058	Collar - tiller support shaft (transmission side)
59	MT-2059	Bearing 6311 - support collar (transmission side)
60	MT-2060	Nut 10 mm
61	MT-2061	Bolt + nut - TSV 10 x 35 mm
62	MT-2062	Bolt + nut - 10 x 35 mm (side transmission protection cover)
63	MT-2063	Side transmission cover protection plate
64	MT-2064	Gear - lower transmission box
65	MT-2065	Lock nut KM 10 - tiller shaft support flange (Transmission side)
66	MT-2066	Bolt + nut - 10 x 25 mm
76	MT-2076	Skid plate
77	MT-2077	Bolt + nut - 14 x 40 mm
78	MT-2078	Plate (grooved - for skid plate)
80	MT-2080	Depth regulating pin
83	MT-2083	Seal for side transmission
84	MT-2084	Seal for support flange
85	MT-2085	Complete support collar (parts# 45+43+42+41+40+39+38+37)
86	MT-2086	Complete support collar (parts# 52+53+54+55+56+58+59)
87	MT-2087	Flange - for tines
88	MT-2088	Chain hook
89	MT-2089	Oil cap
90	MT-2090	O-Ring - main gearbox