

**MIG**<sup>TM</sup>  
EQUIPMENT CO.

**MERITANO**

# Rotary Tillers



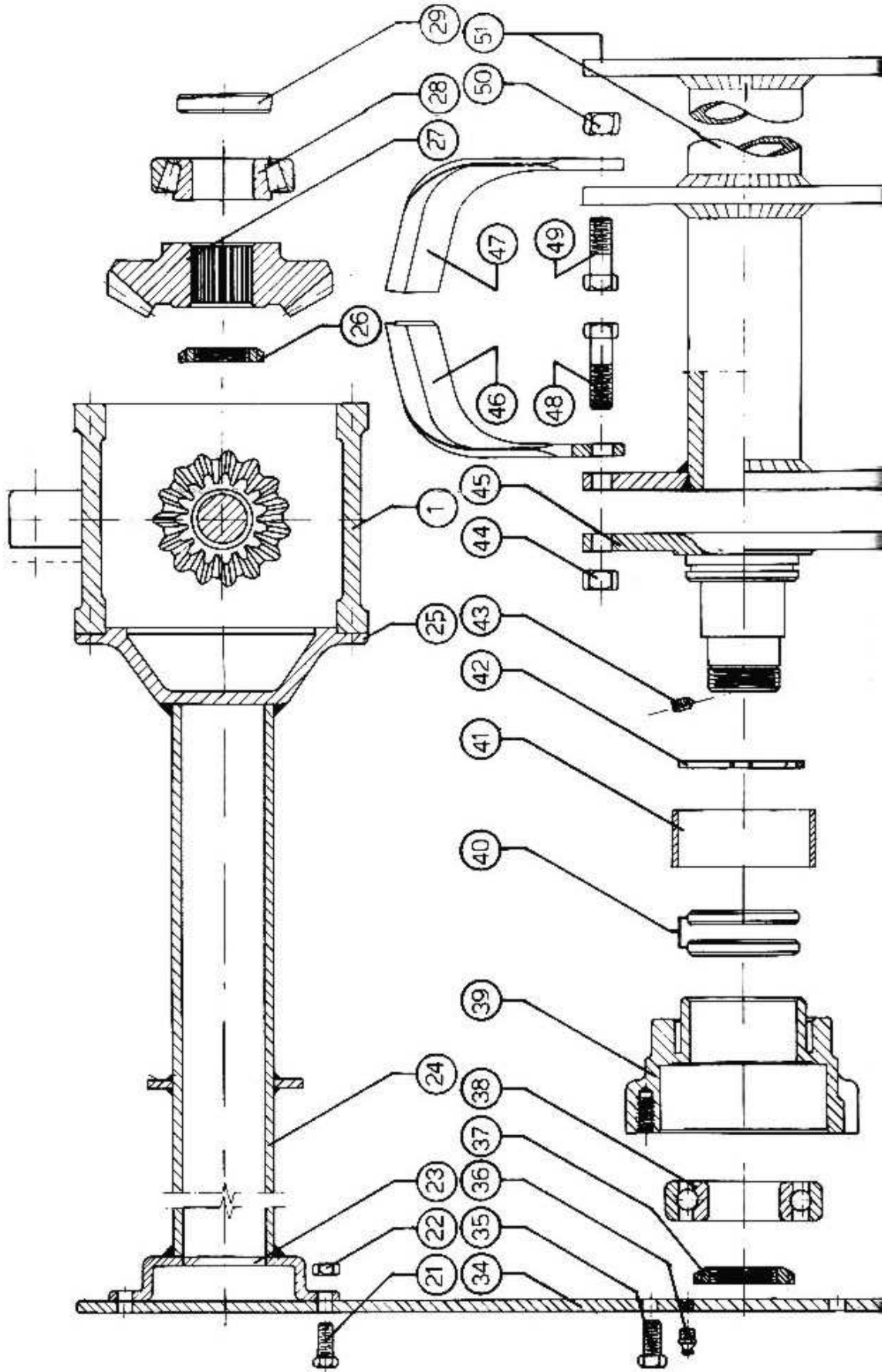
**Series MDV**

**REPLACEMENT PARTS**



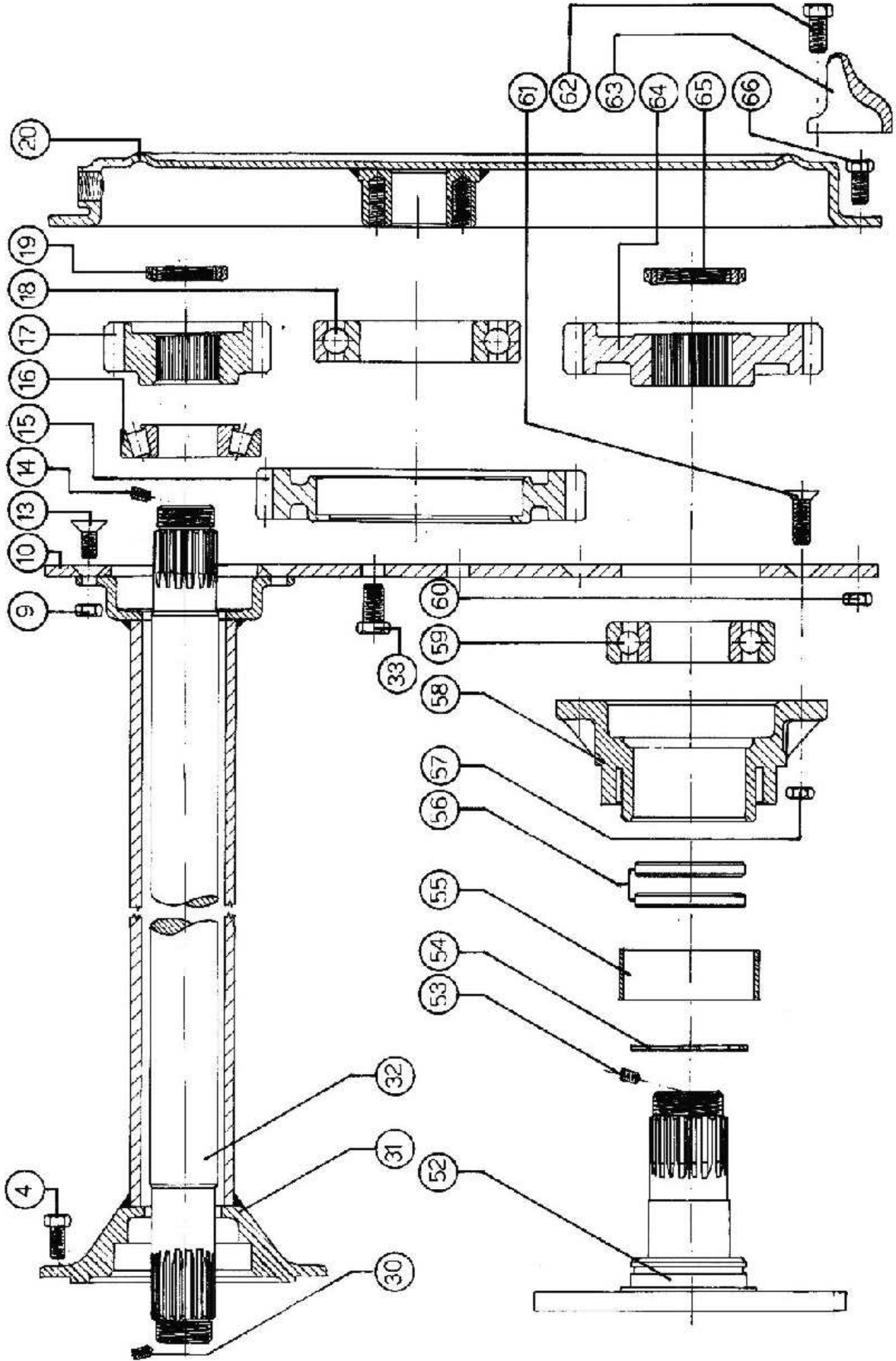
# ROTARY TILLER - SERIES MDV

## Main Gearbox + Tiller Support Shaft

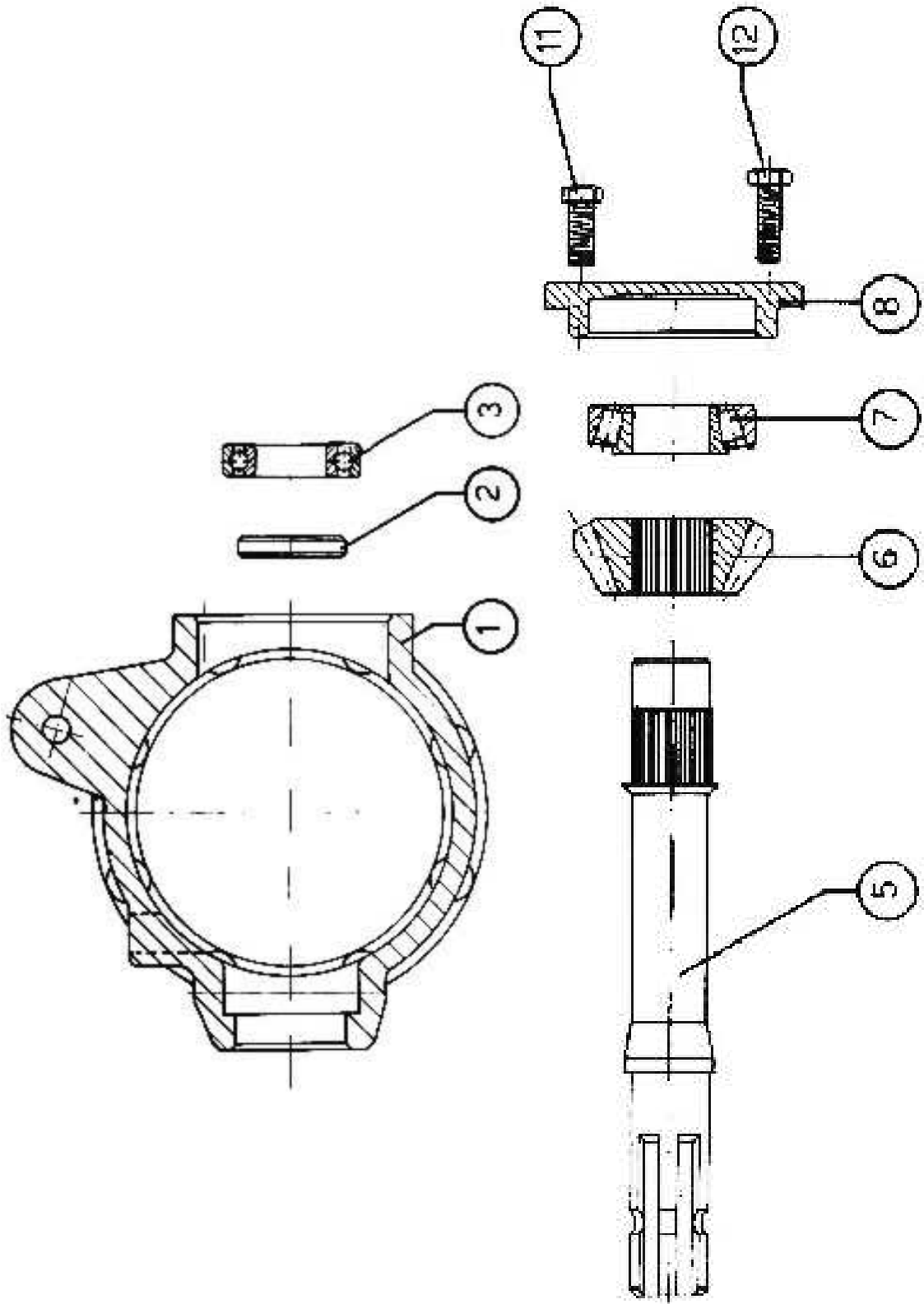


**ROTARY TILLER - SERIES MDV**

**Side Gearbox**



*Main Gearbox + PTO Spline Shaft*



## ROTARY TILLER - SERIES MDV

Fig#	Part#	Description
1	MT-3001	Gearbox - MDV
2	MT-3002	Oil seal 72-45 - for PTO driveshaft
3	MT-3003	Bearing 6209 - PTO driveshaft
4	MT-3004	Bolt 12 x 30 mm
5	MT-3005	Driveshaft - PTO
6	MT-3006	Gear
7	MT-3007	Bearing 30308 - gearbox cover
8	MT-3008	Gearbox cover - MDV
10	MT-3010	Tiller side cover - transmission side
11	MT-3011	Bolt 12 x 45 mm
12	MT-3011	Bolt 12 x 45 mm
13	MT-3013	Bolt TSV 12 x 35 mm + nut
14	MT-2014	Set screw M8 x 14 mm
15	MT-3015	Gear - central transmission box
16	MT-3016	Bearing NJ310 - upper transmission box
17	MT-3017	Gear - upper transmission box
18	MT-3018	Bearing NJ220 - central transmission box
19	MT-3019	Lock nut KM9 - upper transmission gear
20	MT-3020	Transmission cover - MDV
21	MT-3021	Bolt 12 x 35 mm
22	MT-3022	Nut 12 mm
23	MT-3023	Support flange (outer side cover)
24	MT-3024	Transmission tube (hollow) - MDV - (length per model#)
25	MT-3025	Support flange (gear box side)
26	MT-3019	Lock nut KM9 - upper transmission gear
27	MT-3027	Gear
28	MT-3016	Bearing 30310 - gear box
29	MT-3029	Oil seal 72-50 - gear box
30	MT-2014	Set screw M8 x 14 mm
31	MT-3031	Support flange (gear box - transmission side)
32	MT-3032	Transmission shaft (length per model#)
33	MT-3033	Bolt 14 x 35
34	MT-3034	Tiller side cover - outer side
35	MT-3004	Bolt + nut - 12 x 40 mm
36	MT-2036	Grease fitting
37	MT-3037	Lock nut KM 10 LEFT - tiller shaft support flange (outer side)
38	MT-3038	Bearing 6310 - tiller shaft support flange (outer side)
39	MT-3039	Collar - tiller support shaft (outer side)
40	MT-3040	Oil seal 58-80
41	MT-3041	Spacing collar
42	MT-3042	Split ring collar

## ROTARY TILLER - SERIES MDV

Fig#	Part#	Description
43	MT-2014	Set screw M8 x 14 mm
44	MT-3044	Nut 14 mm
45	MT-3045	Support flange + stem (outer side cover)
46	MT-3046N	Tiller tine - series MDV (standard) - LEFT
46	MT-3046S	Tiller tine - series MDV (square angle) - LEFT
46	MT-3046T	Tiller tine - series MDV (rounded angle) - LEFT
47	MT-3047N	Tiller tine - series MDV (standard) - RIGHT
47	MT-3047S	Tiller tine - series MDV (square angle) - RIGHT
47	MT-3047T	Tiller tine - series MDV (rounded angle) - RIGHT
48	MT-2048	Bolt + nut - 14 x 50 mm
49	MT-2049	Bolt + nut - 14 x 37 mm
50	MT-3044	Nut 14 mm
51	MT-3051	Tiller tine support shaft + flanges (length per model#)
52	MT-3052	Support flange + stem (transmission side)
53	MT-2014	Set screw M8 x 14 mm
54	MT-3042	Split ring collar
55	MT-3055	Spacing collar
56	MT-3040	Oil seal 58-80
57	MT-3057	Nut 10 mm
58	MT-3058	Collar - tiller support shaft (transmission side)
59	MT-3059	Bearing 6311 - support collar (transmission side)
60	MT-3060	Nut 10 mm
61	MT-3061	Bolt + nut - TSV 10 x 35 mm
62	MT-3062	Bolt + nut - 10 x 35 mm (side transmission protection cover)
63	MT-3063	Side transmission cover protection plate
64	MT-3064	Gear - lower transmission box
65	MT-3065	Lock nut KM 10 - tiller shaft support flange (Transmission side)
66	MT-3066	Bolt + nut - 10 x 25 mm
76	MT-3076	Skid plate
77	MT-2077	Bolt + nut - 14 x 40 mm
78	MT-2078	Plate (grooved - for skid plate)
80	MT-2080	Depth regulating pin
83	MT-3083	Seal for side transmission
84	MT-3084	Seal for support flange
85	MT-3085	Complete support collar (parts# 45+43+42+41+40+39+38+37)
86	MT-3086	Complete support collar (parts# 52+53+54+55+56+58+59)
87	MT-3087	Flange - for tines
88	MT-2088	Chain hook
89	MT-2089	Oil cap
90	MT-3090	O-Ring - main gearbox