



# CORBO Specialty Cabs

## REPLACEMENT PARTS LIST

*Series - New Holland TK Crawlers*



# CORBO Specialty Cabs

## Replacement Parts List

***MG Equipment Company specializes in unique tractor implements and equipment designed specifically for vineyards and orchards.***

***We offer a complete line of in-row cultivation machines, spading machines, stone crushing tillers, rippers, aerators, fertilizer drills, flail mowers, tractor cabs, as well as other specific and unique implements. Each of the product lines we offer manufacture superior quality, heavy duty design and constructed equipment, ensuring many years of reliable service.***

***It is our goal to meet the expectations of our customers and to offer unsurpassed service and parts support. We partner with each of our manufacturers to provide the best possible after-sales-support.***

***We thank you for your valued business. We remain at your complete disposal for any information you require regarding any of our products.***

---

For Replacement Parts Sales and Information contact:

**MG Equipment Co.**

PO Box 655 Vineburg, CA 95487  
mgequipment@gmail.com

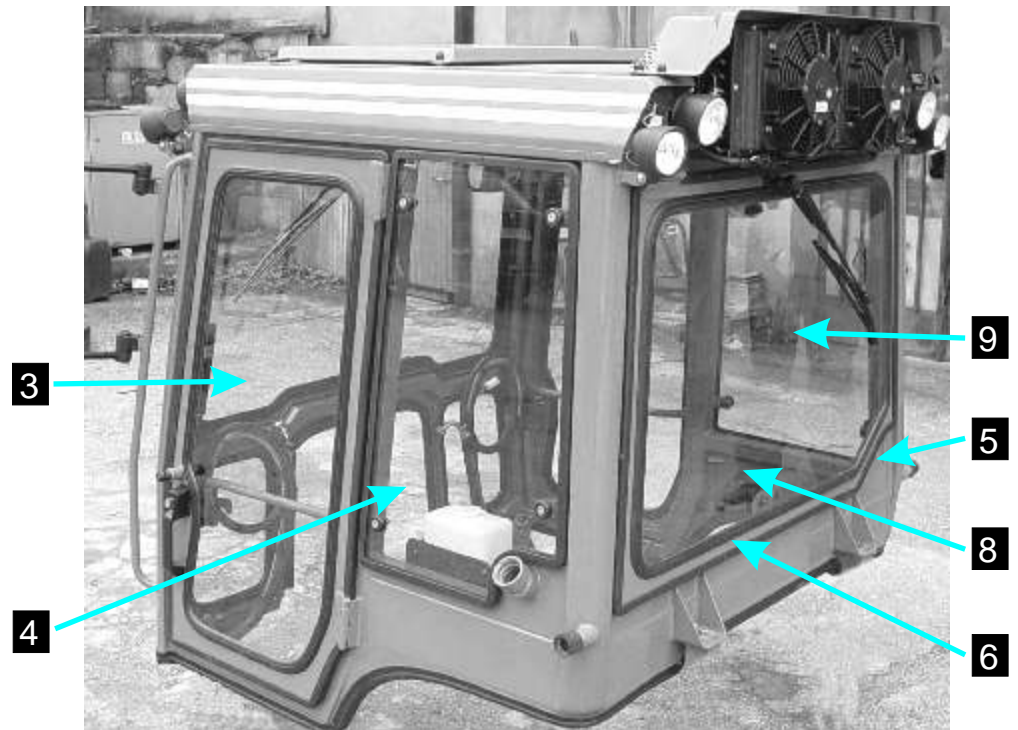
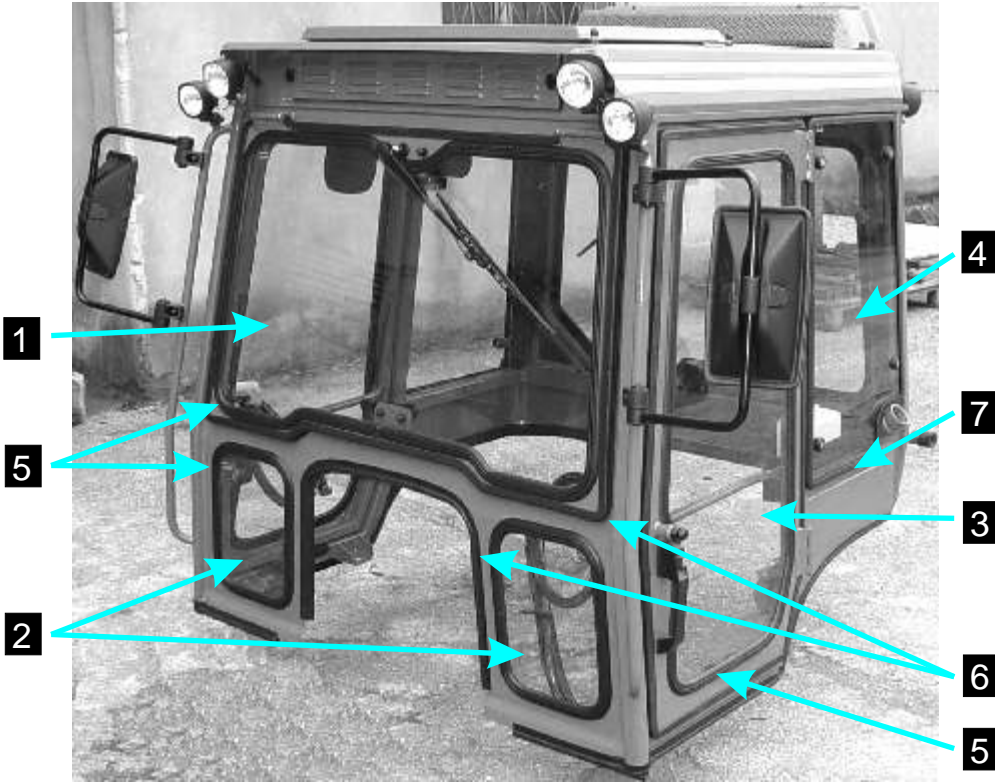
**Tel: (707) 996-2605**

**Fax: (707) 996-3405**

**Mobile: (510) 813-2046**

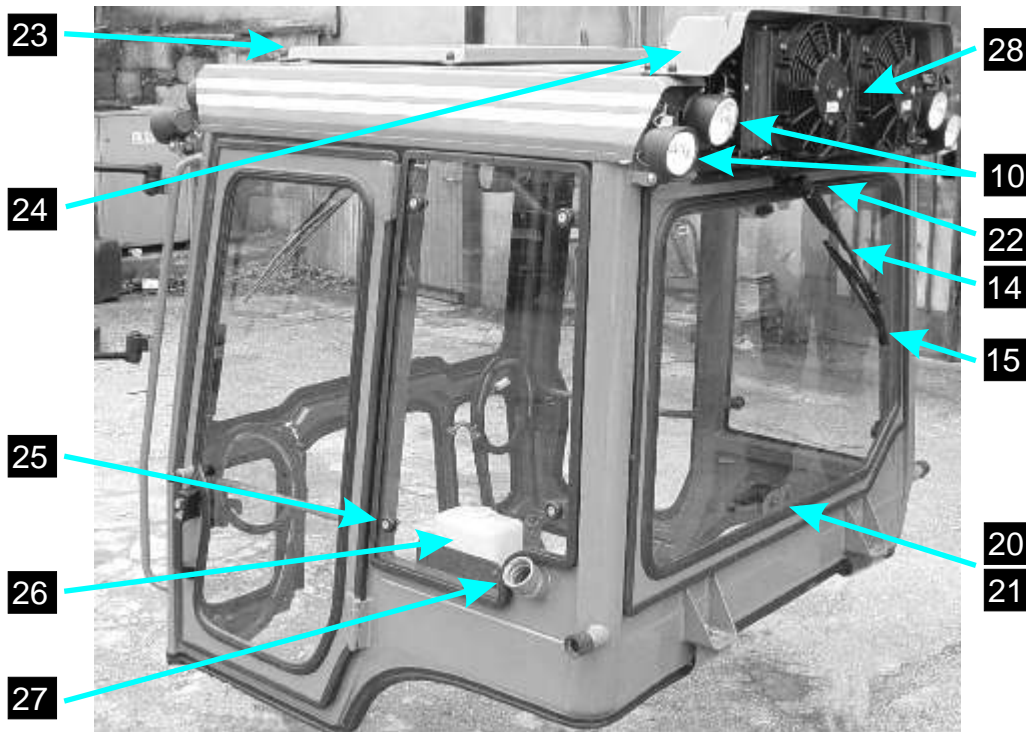
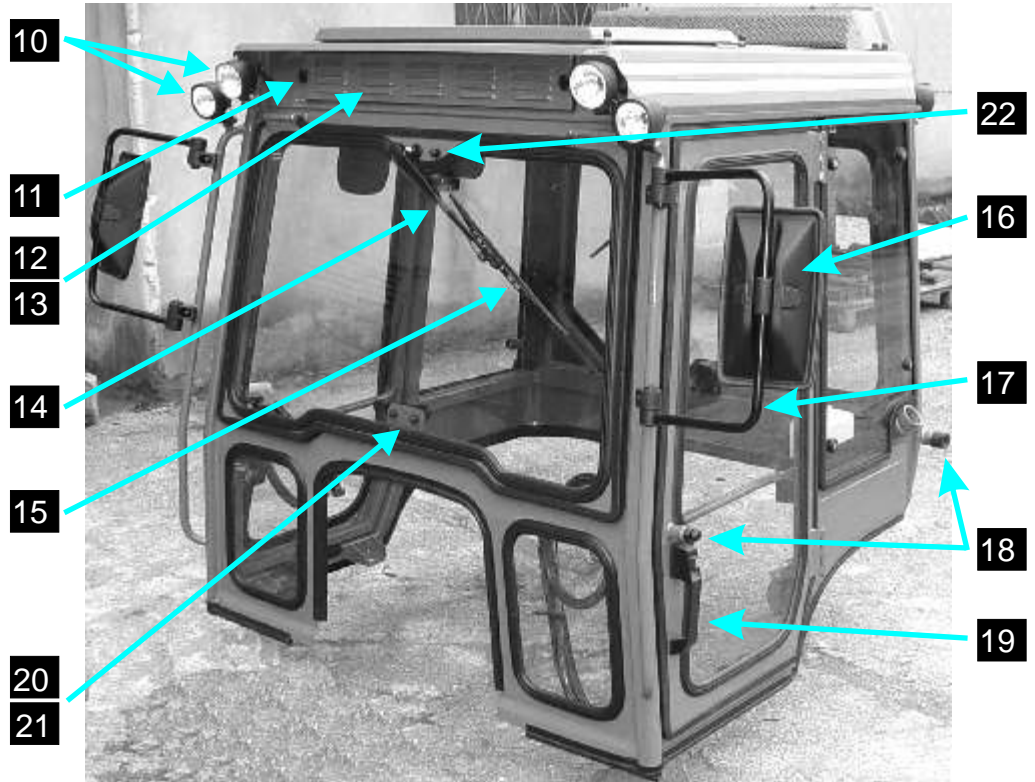
REPLACEMENT PARTS

Window Panes + Weather Stripping



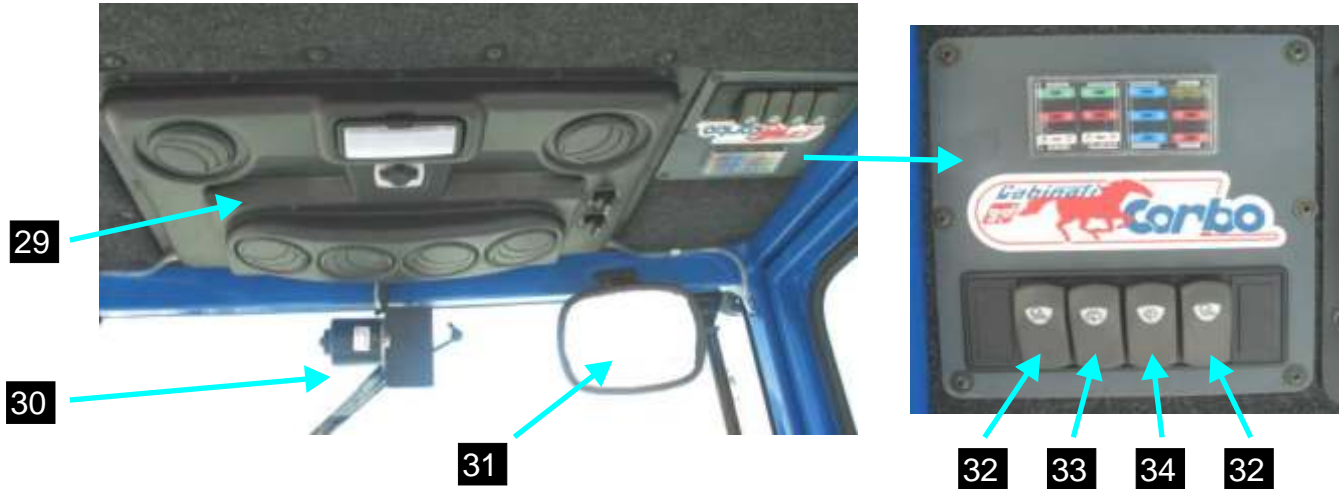
# REPLACEMENT PARTS

## Cab Accessories



**REPLACEMENT PARTS**

**Cab Interior - Fuses**



*Fuse Box Configuration*

Fuse #1 30 Amps	Fuse #4 30 Amps	Fuse #7 15 Amps	Fuse #10 20 Amps
Fuse #2 10 Amps	Fuse #5 10 Amps	Fuse #8 15 Amps	Fuse #11 10 Amps
Fuse #3 25 Amps	Fuse #6 25 Amps	Fuse #9 15 Amps	Fuse #12 10 Amps

- Fuse #1 - 30A (Green) - Front working lights**
- Fuse #2 - 10A (Red) - Relay for A/C condensor fan #1**
- Fuse #3 - 25A (White) - A/C condensor fan #1**
- Fuse #4 - 30A (Green) - Rear working lights**
- Fuse #5 - 10A (Red) - Relay for A/C condensor**
- Fuse #6 - 25A (White) - A/C Condensor fan #2**
- Fuse #7 - 15A (Blue) - Electro-magnet for A/C compressor**
- Fuse #8 - 15A (Blue) - Front windshield wiper motor**
- Fuse #9 - 15A (Blue) - Rear windshield wiper motor**
- Fuse #10 - 20A (Yellow) - Interior cab ventilation fan**
- Fuse #11 - 10A (Red) - Relay for working lights**
- Fuse #12 - 10A (Red) - Main circuit fuse**

*(See next page for fuses and configuration)*

## REPLACEMENT PARTS

### Misc. Parts / Accessories



Part #0157 - A/C Compressor



Part #0053 - Drive Belt (12.7x1525 - SPA-1507)



Part #0057 - Air dryer filter AC404

Part #1491 - Window Gas Cylinder (36 cm)



Part #1492 - Window Gas Cylinder (44 cm)



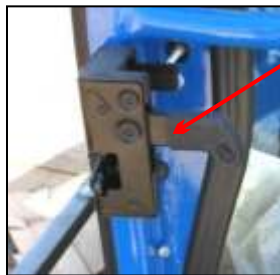
Part #(tba) - Electrical Wiring Cables



Part #0092 - TEC Valve



Part #2851 - Thermostat



Part #1554 - Interior door locking handle - RIGHT (*shown*)

Part #1555 - Interior door locking handle - LEFT

(*not shown*)

Part #2519 - Interior door latch plate - LEFT/RIGHT



Part #1568 - Hose fitting (for window wiper hose)



Part #1569 - Hose fitting (for window wiper hose)

## REPLACEMENT PARTS

### Parts List (by Item#)

Item#	Part#	Description	Qty
1	CB-2771	Glass pane - TK - FS 5 mm (front windshield)	1
2	CB-2770	Glass pane - TK - FID+FIX 5 mm (Left/Right)	2
3	CB-2772	Glass pane - TK - 5 mm - Door pane (Left/Right)	2
4	CB-2774	Glass pane - TK - 6 mm - Side rear (Left)	1
5	CB-1421	Rubber weather seal for window panes	-
5A	CB-1422	Rubber weather seal - inside tab strip	-
6	CB-1424	Door gasket (rubber) with holding strip	-
7	CB-1424	Door gasket (rubber) with holding strip	-
8	CB-2775	Glass pane - TK - RS 5 mm (rear windshield)	1
9	CB-2773	Glass pane - TK - 6 mm - Side rear (Right)	1
10A	CB-2615	Working light - with H3 stem - long range beam	4
10B	CB-2622	Working light - with H3 stem - near range beam	4
10C	CB-1550	Light bulb - IODE 55 watt	8
11	tba	Thumb screw	2
12	tba	Air filter cover / grill	1
13A	CB-2596	Air filter (dust) - paper - 680 x 85 x 55	1
13B	CB-2597	Air filter (activated carbon) - 680 x 85 x 55	1
14	CB-1578	Windshield wiper arm	1
15	CB-1573	Windshield wiper blade assembly (length 400 mm)	1
16	CB-2787	Rear view mirror	2
17	tba	Arm assembly + clamps for mirror	2
18	CB-0011	Door stop (rubber) kit - 2 pcs	2
19	CB-1347	Door handle with locking key	2
20	CB-1408	Window closing handle - RIGHT hand	1
20	CB-1409	Window closing handle - LEFT hand	1
21	CB-1397	Latch stop plate (adjustable)	2
22	CB-1566	Windshield fluid spray nozzle	1
23	tba	Roof access panel	1
24	tba	Protective shield for A/C condensor + fans	
25	CB-1369	Rubber gomet - window protection	8
26	CB-2670	Wiper fluid reservoir - 1.9 liters	1
27	CB-3192	Fuel tank cap - TK 87311515	1
28	CB-0161	A/C condensor coil assembly + 2 fans - 12V	1
28A	tba	A/C condensor protective screen / cover	1
29	CB-0169	A/C and ventilation control panel	1
30	CB-1585	Windshield wiper motor 12V-110	2
31	tba	Interior rear view mirror	1
32	CB-2595	Switch - for working lights (front & rear)	2
33	CB-2395	Switch - 3 position - for FRONT windshield wiper	1
34	CB-2394	Switch - 3 position - for REAR windshield wiper	1

## REPLACEMENT PARTS

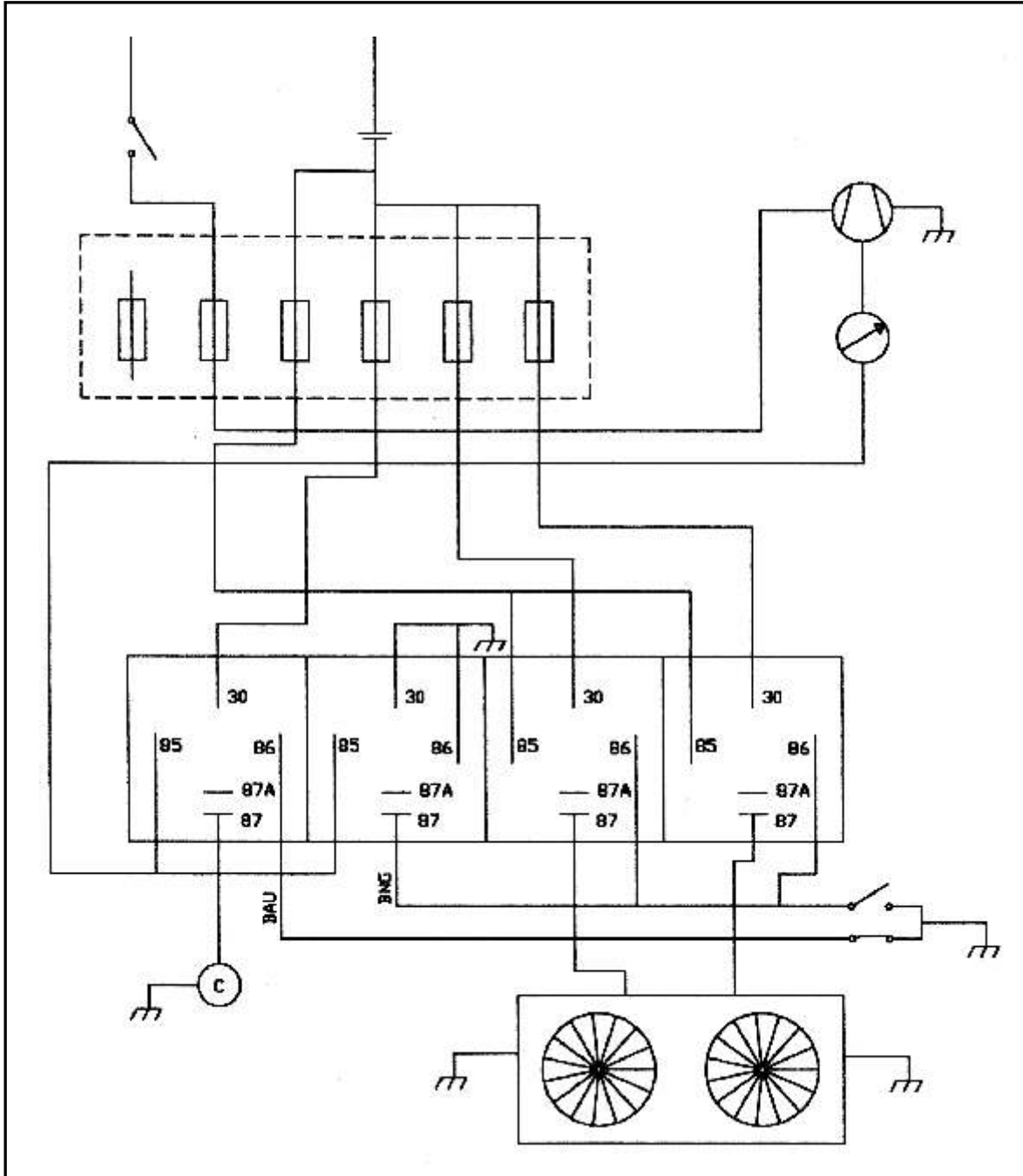
### Parts List (by Part#)

Part#	Description
CB-0011	Door stop (rubber) kit - 2 pcs
CB-0053	Drive belt (12.7 x x1525 - SPA-1507)
CB-0057	Air dryer filter (non-glass) - AC404 - TK series
CB-0088	Electrical coil with cable + connectors (prestostat)
CB-0092	TEC valve - 2N.312301-R134A
CB-0157	A/C compressor
CB-0161	A/C condensor coil assembly + 2 fans - 12v
CB-0169	A/C and ventilation control pane
CB-0251	Protective cap for head head nut - CH13
CB-0927	Water valve + fitting for hot water return
CB-1347	Door handle with locking key
CB-1369	Rubber gommet - window protection
CB-1397	Latch stop plate (adjustable)
CB-1408	Window closing handle - RIGHT hand
CB-1409	Window closing handle - LEFT hand
CB-1421	Rubber weather seal for window panes
CB-1422	Rubber weather seal - inside tab strip
CB-1424	Door gasket (rubber) with holding strip
CB-1491	Window glass gas cylinder (36 cm)
CB-1492	Window glass gas cylinder (44 cm)
CB-1550	Light bulb - IODE 55 watt
CB-1554	Interior door locking handle - RIGHT
CB-1555	Interior door locking handle - LEFT
CB-1566	Windshield fluid spray nozzle
CB-1568	Hose fitting - 8 x 3 mm - for windshield wiper hose
CB-1569	Hose fitting - for windshield wiper hose
CB-1573	Windshield wiper blade assembly (length 400 mm)
CB-1578	Windshield wiper arm
CB-1585	Windshield wiper motor 12V-110
CB-2394	Switch - 3 position - for REAR windshield wiper
CB-2395	Switch - 3 position - for FRONT windshield wiper
CB-2519	Interior door latch plate (Right/Left)
CB-2595	Switch - for working lights (front & rear)
CB-2596	Air filter (dust) - paper - 680 x 85 x 55
CB-2597	Air filter (activated carbon) - 680 x 85 x 55
CB-2615	Working light - with H3 stem - long range beam
CB-2622	Working light - with H3 stem - near range beam
CB-2670	Wiper fluid reservoir - 1.9 liters
CB-2770	Glass pane - TK - FID+FIX 5 mm (Left/Right)
CB-2771	Glass pane - TK - FS 5 mm (front windshield)
CB-2772	Glass pane - TK - 5 mm - Door pane (Left/Right)
CB-2773	Glass pane - TK - 6 mm - Side rear (Right)
CB-2774	Glass pane - TK - 6 mm - Side rear (Left)
CB-2775	Glass pane - TK - RS 5 mm (rear windshield)
CB-2787	Rear view mirror
CB-2851	Thermostat control with probe
CB-3192	Fuel tank cap - TK 8731151E
tba	Thumb screw
tba	Air filter cover / grill
tba	Arm assembly + clamps for mirror
tba	Roof access panel
tba	Protective shield for A/C condensor + fans
tba	A/C condensor protective screen / cover
tba	Interior rear view mirror



**ELECTRICAL DIAGRAMS**

**Air Conditioning System**

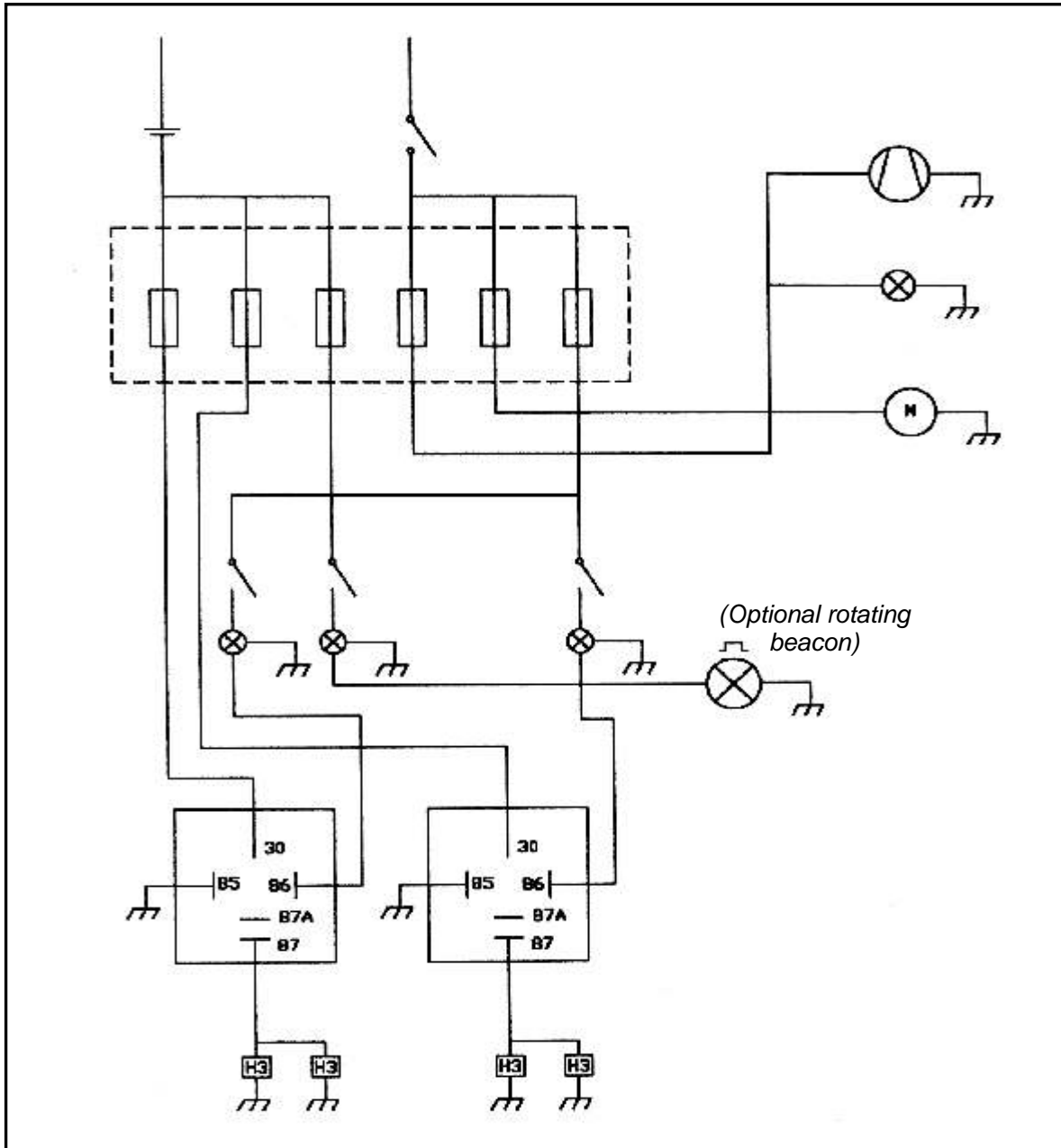


**LEGEND**

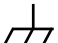
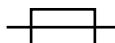
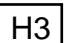




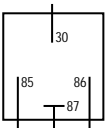
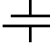


Ground	Fuses	A/C Compressor	Speed Control	Relay
Switches	Battery	Fan		

**ELECTRICAL DIAGRAMS**

**Lighting - Windshield Wiper - Heating Fan**



**LEGEND**

 Ground	 Fuses	 Working Light	 Rotating Beacon
 Switches	 Fan	 Windshield Wiper Motor	Relay 
 Battery	 Indicator Light	 Interior Light	



## CORBO Specialty Cabs

*For Questions or Technical Assistance Contact:*

### **MG Equipment Co.**

PO Box 655  
Vineburg, CA 95487  
Tel: (707) 996-2605  
Mobile: (510) 813-2046  
[mgec@sbcglobal.net](mailto:mgec@sbcglobal.net)