

# REPLACEMENT PARTS CATALOG



---

Tellarini Pump  
Series AL-40

---



# TELLERINI Pumps

## Parts Catalog

### Series AL 40

***MG Equipment Company specializes in unique tractor implements designed specifically for vineyards and orchards.***

***This catalog is designed to detail all the parts and components for Tellerini Pumps which are installed onto VMA Sprayers. It is divided into sections for each part of the gearbox and includes exploded diagrams and a detailed parts list.***

***To ensure a long life of reliable and trouble-free service for your pump, use only genuine Tellerini Pump replacement parts.***

***It is our goal to meet or exceed the expectations of our customers and to offer unsurpassed service and parts support. We partner with each of our manufacturers to provide the best possible after-sales-support.***

***We thank you for your valued business. We remain at your complete disposal for any information you require regarding any of our products.***

---

For Replacement Parts Sales and Information contact:

**MG Equipment Co.**

PO Box 655 Vineburg, CA 95487  
mgequipment@gmail.com

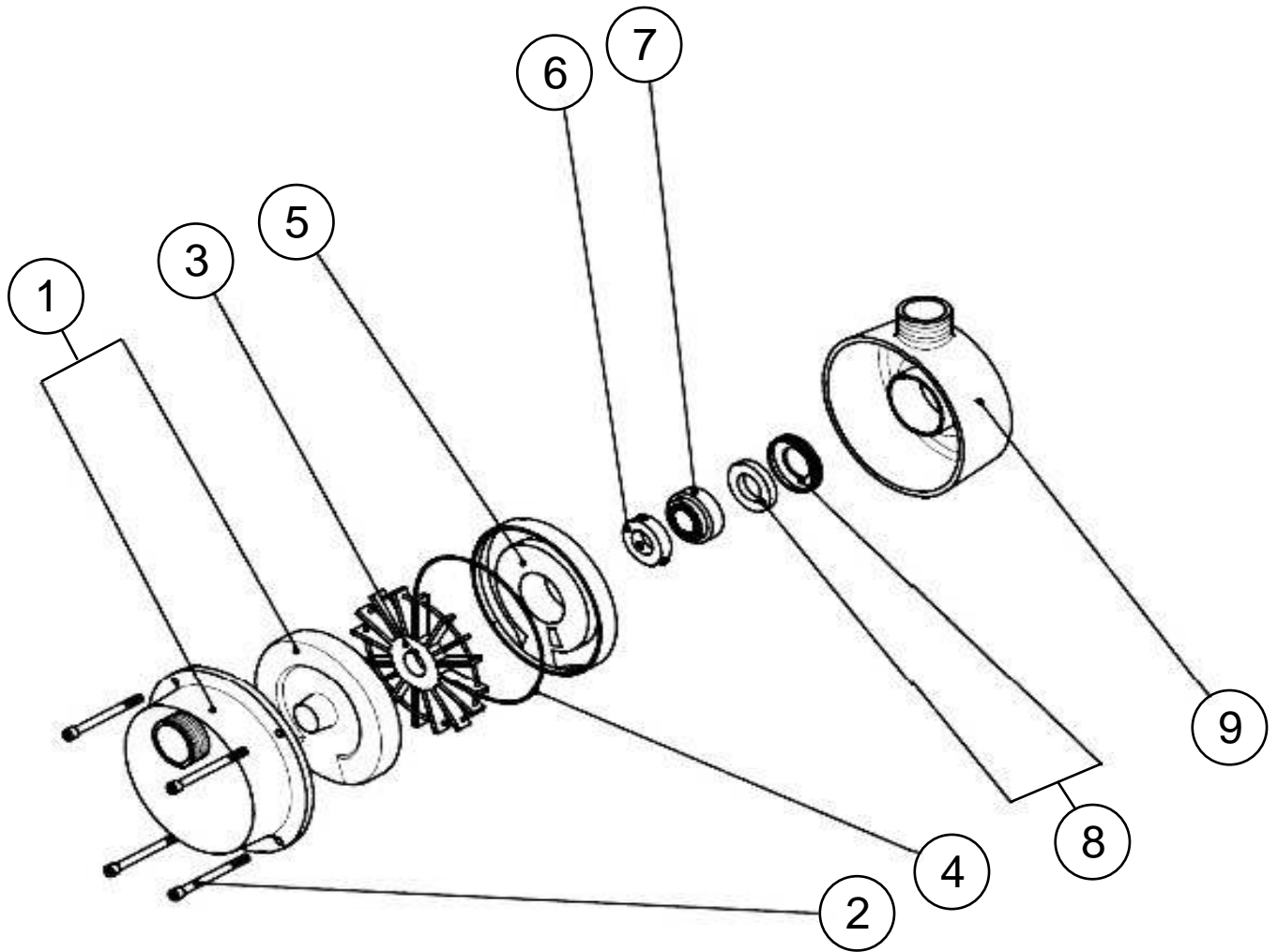
**Tel: (707) 996-2605**

**Fax: (707) 996-3405**

**Mobile: (510) 813-2046**

# TELLERINI Pumps

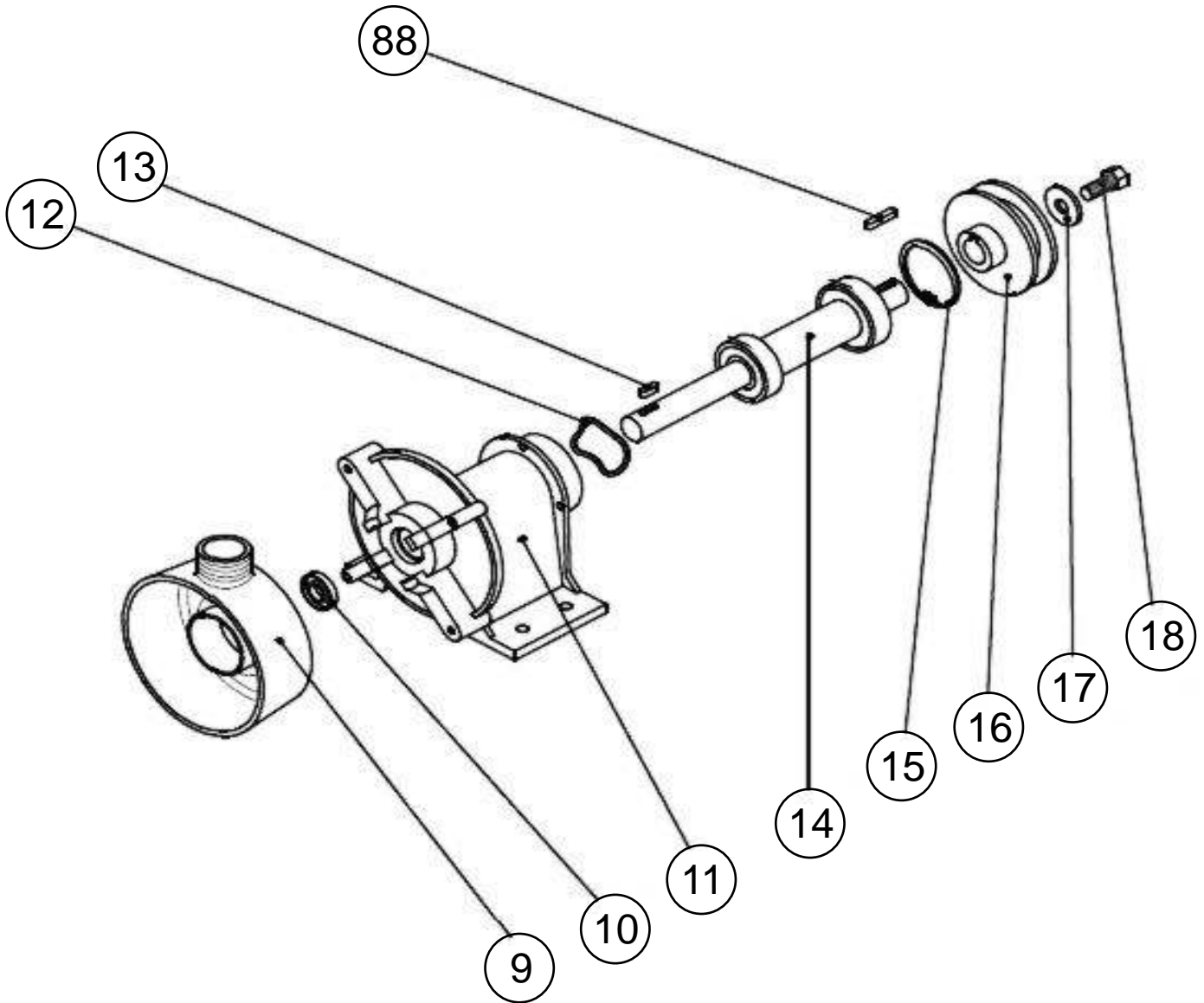
## Series: AL 40



Item#	Part#	Description
1	VM-100396.001.00	Pump cover (2 pcs)
2	(tbc)	Pump cover bolts (allen head)
3	VM-100396.000.00	Impeller
4	VM-100396.002.00	O-Ring
5+9	VM-100396.002.01	Pump body + internal plate (kit)
6	VM-100399.000.01	Bearing
7	(tbc)	Support
8	VM-100425.000.00	Oil seal (kit)

# TELLERINI Pumps

## Series: AL 40



Item#	Part#	Description
9	(see previous page)	Pump body (2 pcs)
10	VM-100396.020.28	Oil seal
11	VM-100396.000.03	Main body / Support
12	VM-100396.003.00	Spacing ring
13	(tbc)	Shaft key
14	VM-100395.000.00	Main shaft + support collars
15	(tbc)	Ring/collar
16	(tbc)	Pulley
17	(tbc)	Washer
18	(tbc)	Bolt



*For Questions or Technical Assistance Contact:*

## MG Equipment Co.

PO Box 655  
Vineburg, CA 95487  
Tel: (707) 996-2605  
Mobile: (510) 813-2046  
[mgequipment@gmail.com](mailto:mgequipment@gmail.com)